

Catalog accessories - spare parts

Laser

SmartLase



150 Congress Street
Keene, NH 03431
United States of America
Tel + 800 258 5356
Fax +1 603 357 1835

Inkjet Partner
Service am Punkt 

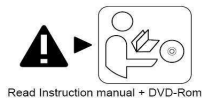
Inkjet-Partner Handelsgesellschaft mbH
Aumühlweg 17-19, Halle 12D
2544 Leobersdorf



markem·imaje

a **DOVER** company

■ Consignes de sécurité



Read Instruction manual + DVD-Rom

AVERTISSEMENT : avant d'utiliser l'imprimante, veuillez lire attentivement les informations concernant la sécurité et l'installation présentes dans la notice d'instructions.

■ Safety Instructions



Read Instruction manual + DVD-Rom

WARNING: before using the printer, please carefully read the information concerning safety and installation in the instruction manual.

■ Recyclage



Elimination des piles et accumulateurs usagés (applicable dans les pays de l'union européenne et aux autres pays européens disposant de systèmes de collecte sélective).



Elimination des appareils électriques et électroniques usagés (applicable dans les pays de l'union européenne et aux autres pays européens disposant de systèmes de collecte sélective).

Ces symboles indiquent que l'appareil électrique et électronique en fin de vie ainsi que les piles et accumulateurs qui le constituent, ne doivent pas être traités comme de simples déchets ménagers. En vous assurant que ces éléments sont mis au rebut de façon appropriée, vous participez activement à la prévention des conséquences négatives que leur mauvais traitement pourrait provoquer sur l'environnement et sur la santé humaine. Le recyclage des matériaux contribue à la préservation des ressources naturelles. En confiant votre appareil électrique en fin de vie à une société dûment habilitée, vous vous assurez que tous les éléments incorporés seront traités correctement.

Pour tous les autres cas de figure et afin d'enlever les piles, les accumulateurs ou autres matériaux en toute sécurité de votre appareil, reportez-vous au manuel d'utilisation ou contacter votre représentant Markem-Imaje.

Eléments recyclés	Filières
Pupitre en acier inox.	Matériau recyclable à 100 % auprès de toutes filières métallurgiques.
Tête en aluminium.	Matériau recyclable à 100 % auprès de toutes filières métallurgiques.
Cartes électroniques, écran et câbles électriques.	Filière recommandée : - récupération et traitement des déchets électroniques (ordinateur, télévision...)

■ Recycling



Disposal of used batteries and rechargeable batteries (applicable in European Union countries and other European countries with selective waste collection systems).



Disposal of used electrical and electronic equipment (applicable in European Union countries and other European countries with selective waste collection systems).

These symbols indicate that the electrical and electronic device, and the batteries and rechargeable batteries therein, must not be disposed of at the end of its life as ordinary municipal solid waste. By ensuring that these items are disposed of appropriately, you play an active role in avoiding the harmful consequences that incorrect disposal could have on the environment and human health. The recycling of materials contributes to the preservation of natural resources.

By entrusting your end-of-life electrical devices to a duly authorized disposal company, you ensure that all the items therein will be handled correctly.

In all other cases and in order to safely remove batteries, rechargeable batteries and other materials, see the user manual or contact your Markem-Imaje representative.

Recycled parts	Method
Stainless steel control panel.	Material fully recyclable at all metallurgical facilities.
Aluminum head.	Material fully recyclable at all metallurgical facilities.
Circuit boards, monitor and electrical cables.	Recommended facilities: - recovery and reprocessing of electronic waste (computers, television sets, etc.).

GEN-FR-EN-LASER

■ Programme d'échange standard

Les pièces de remplacement sont disponibles à l'occasion du "programme échange standard Markem-Imaje". Il s'agit de pièces re-conditionnées : les composants usés ou endommagés ont été remplacés. Ces pièces sont identifiées dans le catalogue client par une référence spécifique commençant par ENR.

	Référence
Pièce neuve	ENMXXXXX
Pièce de remplacement	ENRXXXXX

Les pièces de remplacement sont disponibles dans les conditions suivantes:

- une pièce reconditionnée contient des composants recyclés,
- la pièce d'origine défectueuse doit être renvoyée à Markem-Imaje. Elle devient la propriété de Markem-Imaje,
- la pièce d'origine défectueuse n'a pas été modifiée, détériorée et aucun composant n'a été enlevé,
- l'utilisation de la pièce d'origine défectueuse et les instructions de maintenance ont été respectées,
- les procédures de nettoyage et de vidange de la pièce d'origine défectueuse ont été respectées.

■ Comment commander ?

Les commandes peuvent être passées par mail, fax ou téléphone. Dans ce dernier cas une confirmation écrite est nécessaire.

Pour les commandes de pièces ou accessoires, contacter votre représentant Markem-Imaje.

Les précisions suivantes doivent apparaître sur les commandes de pièces détachées:

Référence Markem-Imaje de la pièce, désignation, quantité désirée, date de livraison demandée, instructions d'expédition, numéro de commande.

■ Code observation



Les articles précédés de ce code ne sont pas des articles vendables client. Contacter votre revendeur Markem-Imaje ou votre Distributeur.



Les articles précédés de ce code ne sont pas des articles vendables client mais sont des documents disponibles au format pdf. Contacter votre revendeur Markem-Imaje ou votre Distributeur.

Pour matériel de marquage et de codage. Les photographies et illustrations ne sont pas contractuelles. L'original de ce document a été rédigé en anglais. Seul le texte anglais de ce document est authentique et fait foi en cas de conflit. Markem-Imaje se réserve le droit de modifier les spécificités de son produit sans préavis. Toute reproduction, même partielle, de ce document est interdite. Traduction du manuel d'origine : le manuel d'origine (en anglais) est disponible sur le DVD-ROM fourni avec l'imprimante.

© 2015 Markem-Imaje Tous droits réservés. Version française

■ Part Exchange Program

Replacement parts are available under the Markem-Imaje Part Exchange Program. These are reconditioned parts, all worn or damaged components have been replaced. These parts are identified in the catalog by a specific reference prefix ENR, e.g.:

	Part number
New Part	ENMXXXXX
Replacement Part	ENRXXXXX

Replacement parts are available under the following conditions:

- a reconditioned part contains recycled components,
- the defective original part must be returned to Markem-Imaje and it becomes the property of Markem-Imaje,
- the defective original part has not been modified or damaged and no component has been removed,
- proper use has been made of the defective original part and the maintenance instructions have been complied with,
- cleaning and draining procedures for the defective original part have been followed.

■ How to order?

Order may be sent by mail, fax or telephone. Written confirmation is required in the case of telephone orders.

To order parts, contact the markem-Imaje representative.

The following information should be shown on orders for replacement parts or accessories:

Markem-Imaje part reference number, description, quantity required, required delivery date, delivery instructions, purchase order number.

■ Observation code



The articles preceded by this symbol are not saleable to customers. Contact your MI Reseller or your Partner.



The articles preceded by this symbol are not saleable to customers but document available in pdf format. Contact your MI Reseller or your Partner.

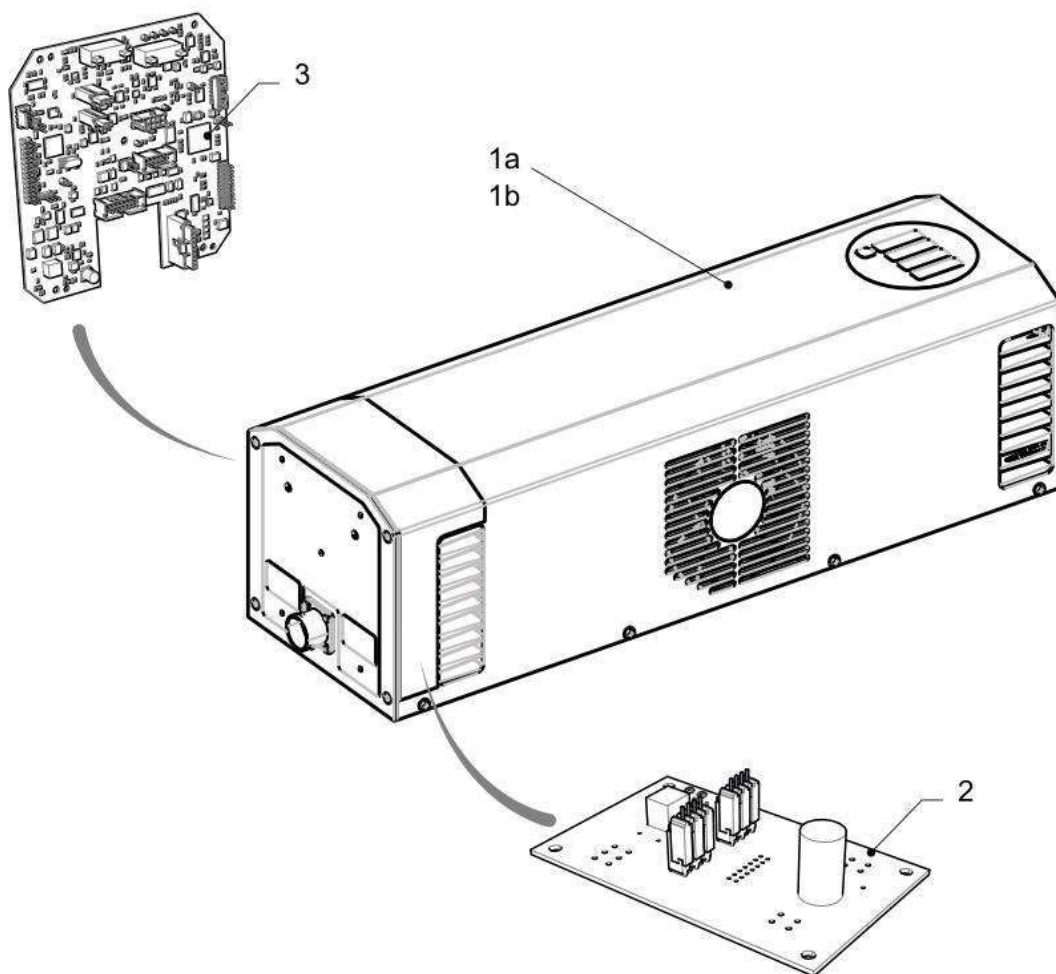
For Marking & Coding Equipment. Photographs and drawings are not binding in detail. Original manual. This document was originally written in English. The English text of this document shall alone be authentic and shall prevail in the event of a dispute. Markem-Imaje reserves the right to modify the specifications of its products without prior notice. Any reproduction, even partial, of this document is prohibited.

© 2015 Markem-Imaje All Rights Reserved. English version

GEN-FR-EN-LASER2

Laser Body Assembly

Laser Body

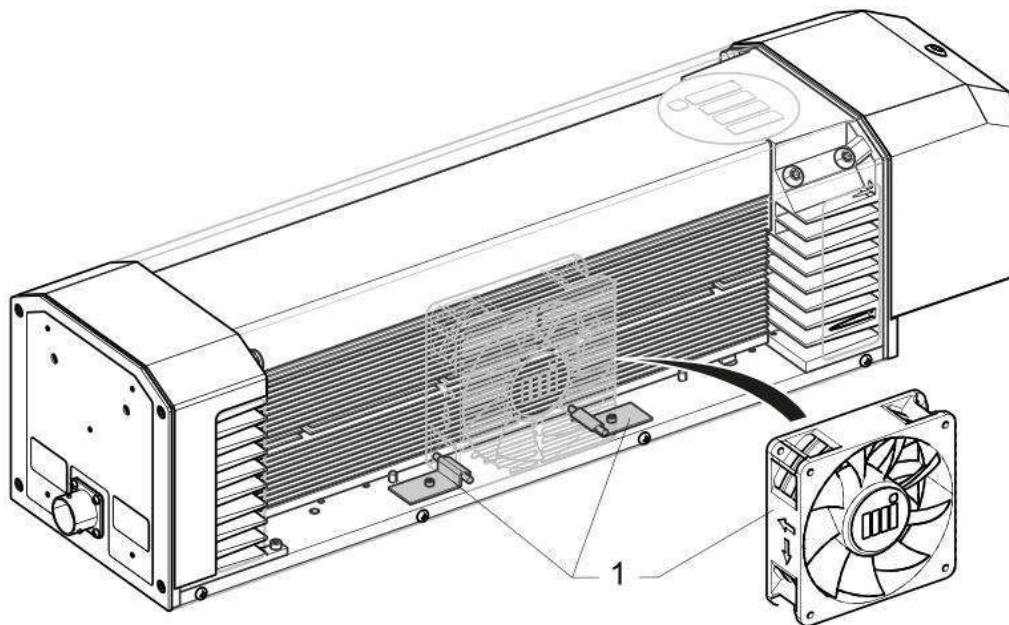


TV03001

Item	Part number	Description
1a	ENM10060106	SL C150 laser body, 10.6 μm
1a	ENM10060108	SL C150 S laser body, 9.3 μm
1a	ENM10060252	SL C150 IP65 laser body 10.6 μm
1a	ENR10060106	Refurbished SL C150 Laser Body, 10.6 μm
1a	ENR10060108	Refurbished SL C150 S Laser Body, 9.3 μm
1b	ENM10060247	SL C350 L laser body, 10.2 μm
1b	ENM10060248	SL C350 S laser body, 9.3 μm
1b	ENM10060250	SL C350 IP65 laser body, 10.2 μm
1b	ENM10060251	SL C350 IP65 laser body, 9.3 μm
1b	ENM10058088	SL C350 laser body, 10.6 μm
1b	ENR10058088	Refurbished SL C350 laser body, 10.6 μm
1b	ENR10060247	Refurbished SL C350 L laser body, 10.2 μm
1b	ENR10060248	Refurbished SL C350 S laser body, 9.3 μm
1b	ENR10060249	Refurbished SL C350 laser body 30W, 10.6 μm IP65
2	10063839	SLC Printhead Power PCA Kit
3	10063840	SLC Printhead Process PCA Kit

Laser Body Assembly

Print Head Fan Kits

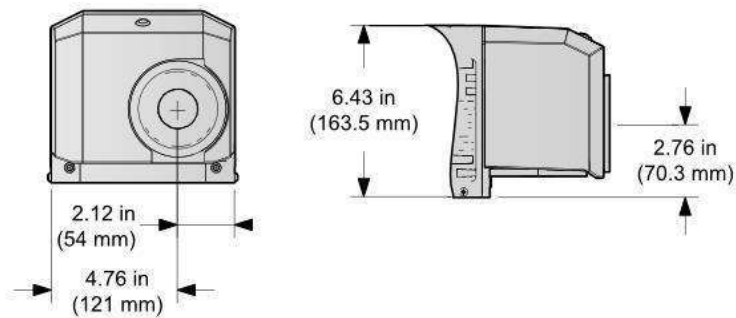
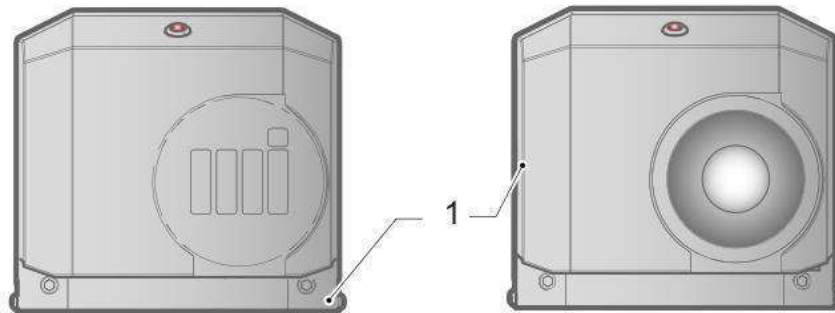


TV03022

Item	Part number	Description
1	10061420	SL C350 Print Head Fan Kit The Fan Kit p/n10061420 includes parts & equipment to replace ONE FAN, on either side of the print head.
1	10061912	SL C150 Print Head Fan Kit The Fan Kit p/n10061912 includes parts & equipment to replace BOTH (2) Fans.

Scan Head Assembly

Scan Head

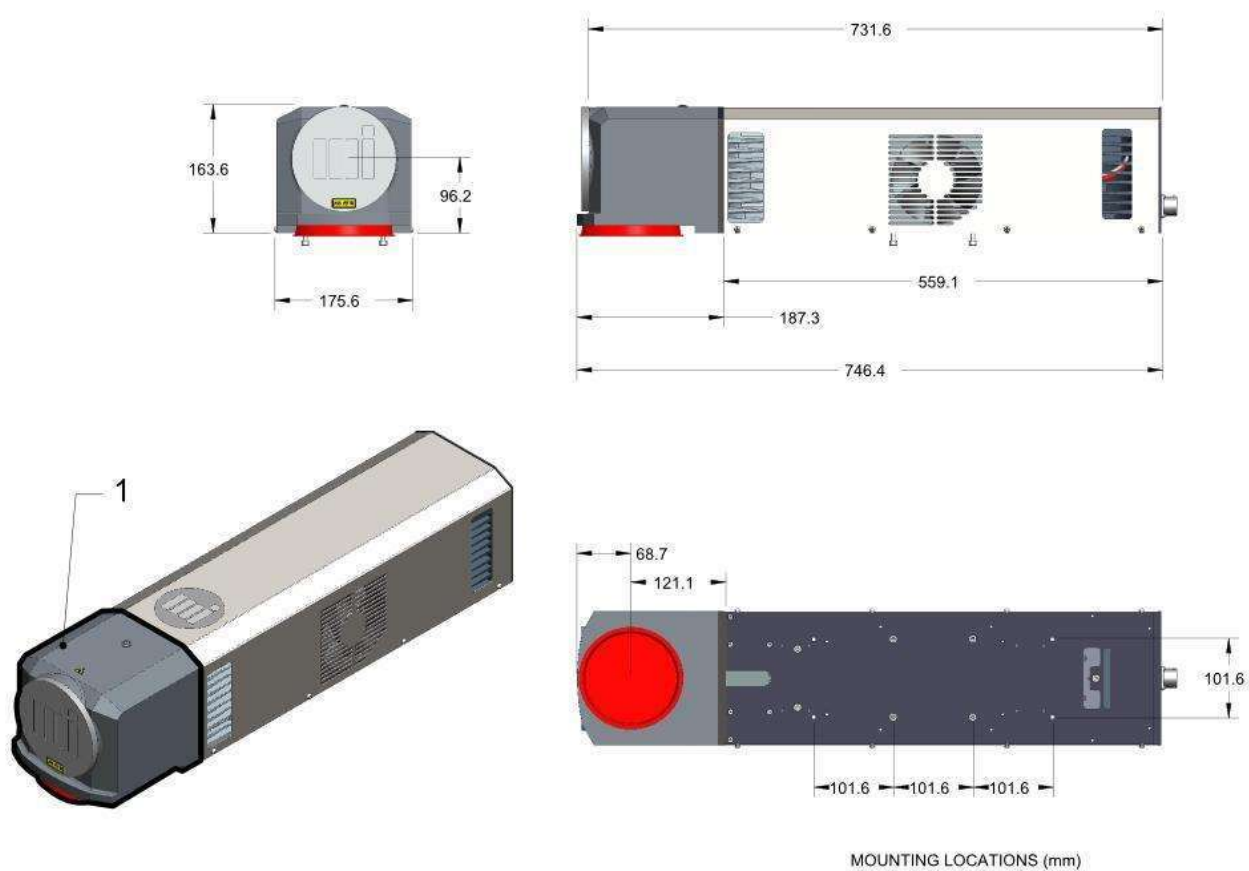


TV03002

Item	Part number	Description
1	10061943	Spare 7 mm Scan Head Kit 9.3 μm - 10.6 μm
1	ENR10061943	Refurbished 7 mm Scan Head Kit 9.3 μm - 10.6 μm
	10061416	SLC Scan Head Enclosure (not shown)
	10061417	SLC Blanking Plate Kit (not shown)
	10061418	SLC LED Harness Kit (not shown)
	10061419	SLC Print Head Gasket Kit (not shown)

Scan Head Assembly

Scan Head HD

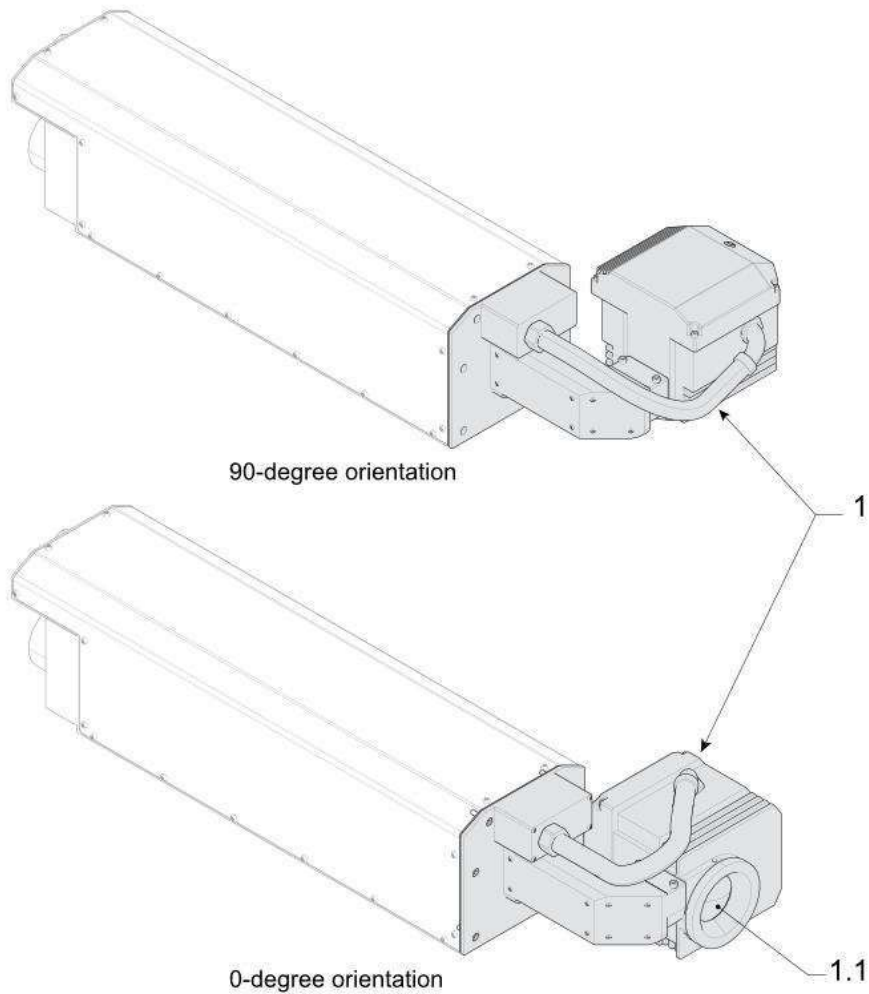


TV03023

Item	Part number	Description
1	10062173	10 mm Scan Head Kit 10.2 - 10.6 μm (HD) Compatible with model (C350, C350L, and C350S) for all wavelengths (9.3, 10.2 & 10.6 μm). The C350 printhead with 10mm HD Scanhead and 10mm HD Lenses can be compatible with wavelengths 10.2, 10.3 and 10.3 μm .
1	ENR10062173	Refurbished 10 mm Scan Head Kit 10.2 - 10.6 μm (HD)

Scan Head Assembly

Scan Head HD+

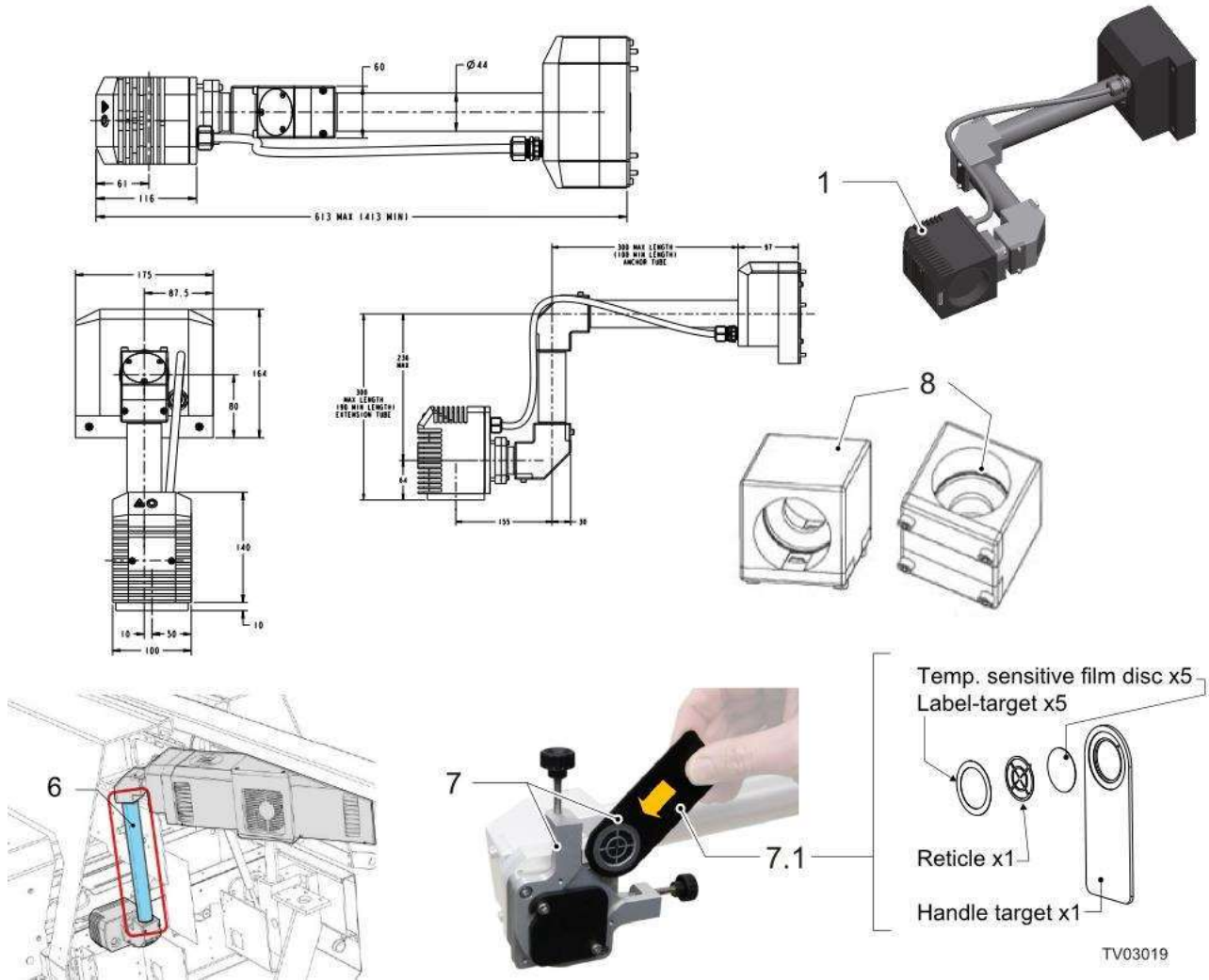


TV03130

Item	Part number	Description
1	ENM10075550	SL C350 14mm HD+ Scan Head Assembly
1.1	10081386	Lens 10.2 μm - 10.6 μm - Focal Distance 370mm - 335x335
1.1	10104855	Lens assembly - Focal Distance 300mm
1.1	10104858	Lens assembly - Focal Distance 236mm
1.1	10104859	Lens assembly - Focal Distance 430mm

Scan Head Assembly

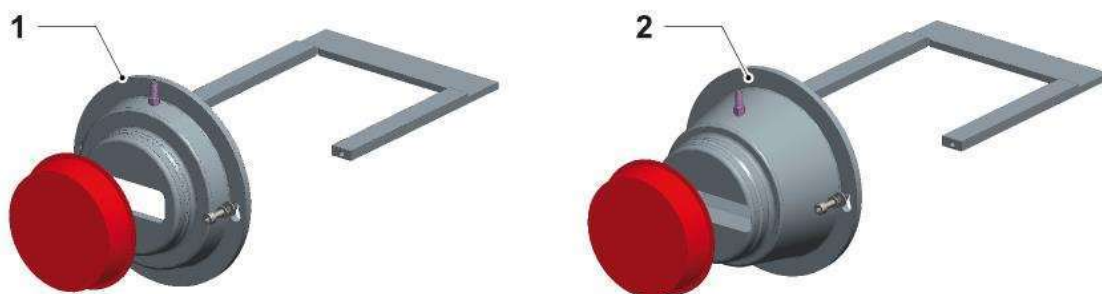
Beam orientation unit



Item	Part number	Description
1	10068770	SLC - Beam Orientation Unit 7 mm The standard BOU tubes are one each of 80 mm, 142 mm, 190 mm, and 342 mm. The BOU kit is shipped with the shortest tubes mounted.
	10069262	SL C BOU 7 mm Scan Head Kit (not shown)
	10069263	SL C BOU Spare Tubes Kit (not shown)
	10069264	SL C BOU Connector Kit (not shown)
	10069265	Gasket and Fastener Kit (not shown)
	10069266	SL C BOU Emission Indicator Kit (not shown)
6	10079490	460 mm BOU Tube
7	10066652	Alignment tool assembly (included 10068778)
7.1	10068778	Target Assembly kit
8	10074926	SLC350 Series Straight Coupling

Scan Head Assembly

Beam orientation unit - Nozzle Guard Assembly

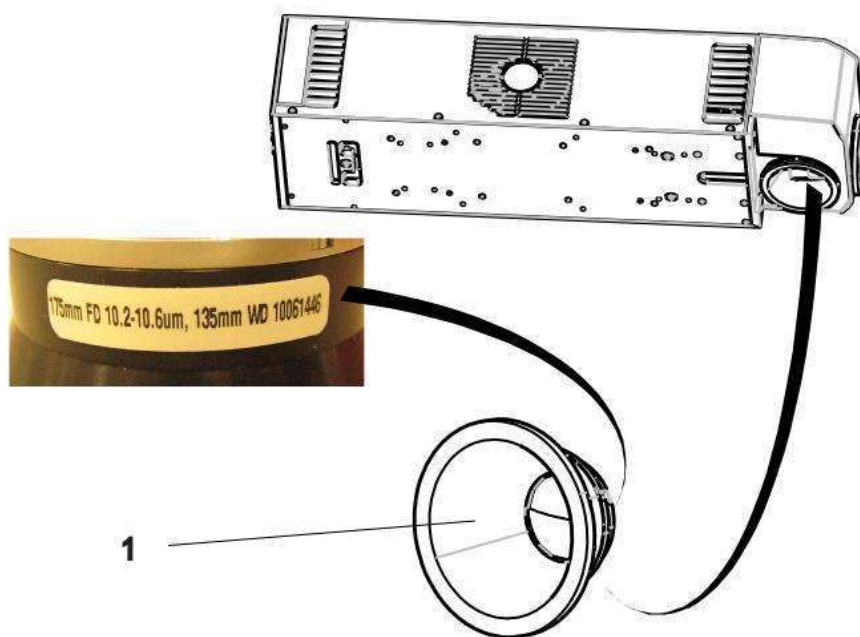


TV03126

Item	Part number	Description
1	10073715	BOU Nozzle guard assembly, 100mm
2	10073716	BOU Nozzle guard assembly, 140mm

Lens Kits

Spare Lens Kits (SL C150/C350/C350L)

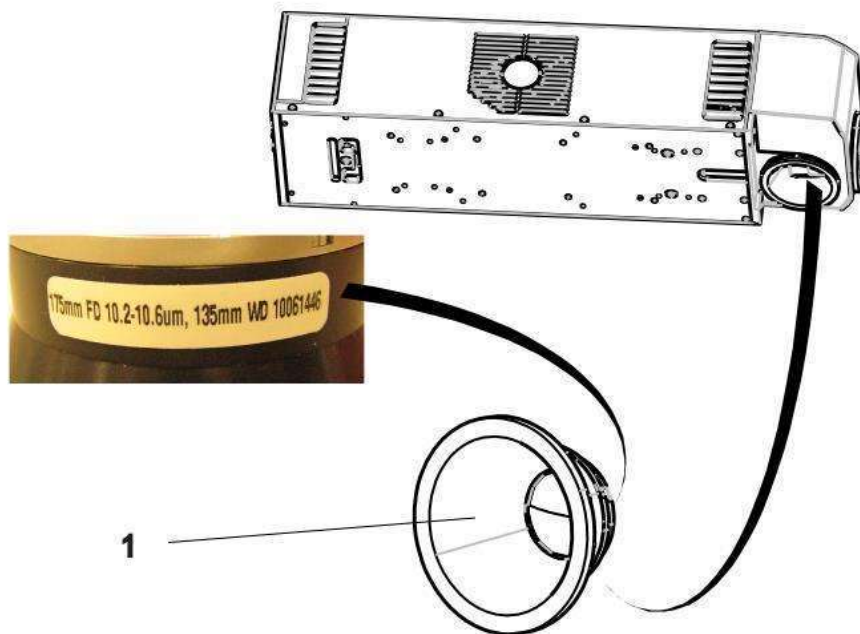


TV03003

Item	Part number	Description
1	10061444	Lens 10.2 μm - 10.6 μm Fd80 55x55
1	10061445	Lens 10.2 μm - 10.6 μm Fd100 70x70
1	10059045	Lens 10.2 μm - 10.6 μm Fd140 100x100
1	10061446	Lens 10.2 μm - 10.6 μm Fd175 120x120
1	10061447	Lens 10.2 μm - 10.6 μm Fd220 155x155
1	10061448	Lens 10.2 μm - 10.6 μm Fd290 205x205

Lens Kits

Spare Lens Kits (SL C150S/C350S)

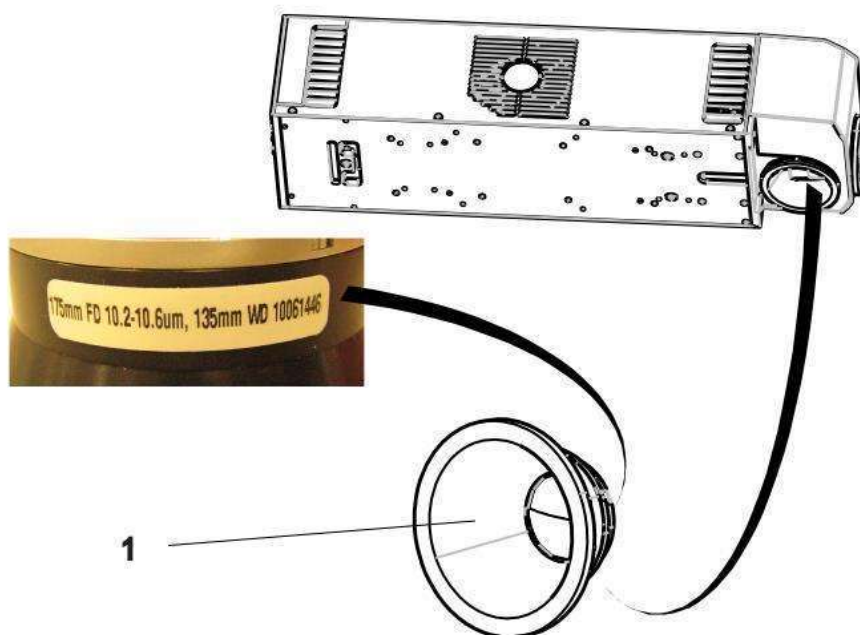


TV03025

Item	Part number	Description
1	10061920	Lens 9.3 μm Fd80 55x55
1	10060265	Lens 9.3 μm Fd100 70x70
1	10061449	Lens 9.3 μm Fd140 100x100
1	10061921	Lens 9.3 μm Fd175 120x120
1	10061922	Lens 9.3 μm Fd220 155x155
1	10061923	Lens 9.3 μm Fd290 205x205

Lens Kits

Spare Lens Kits (SL C350 HD/C350L HD)

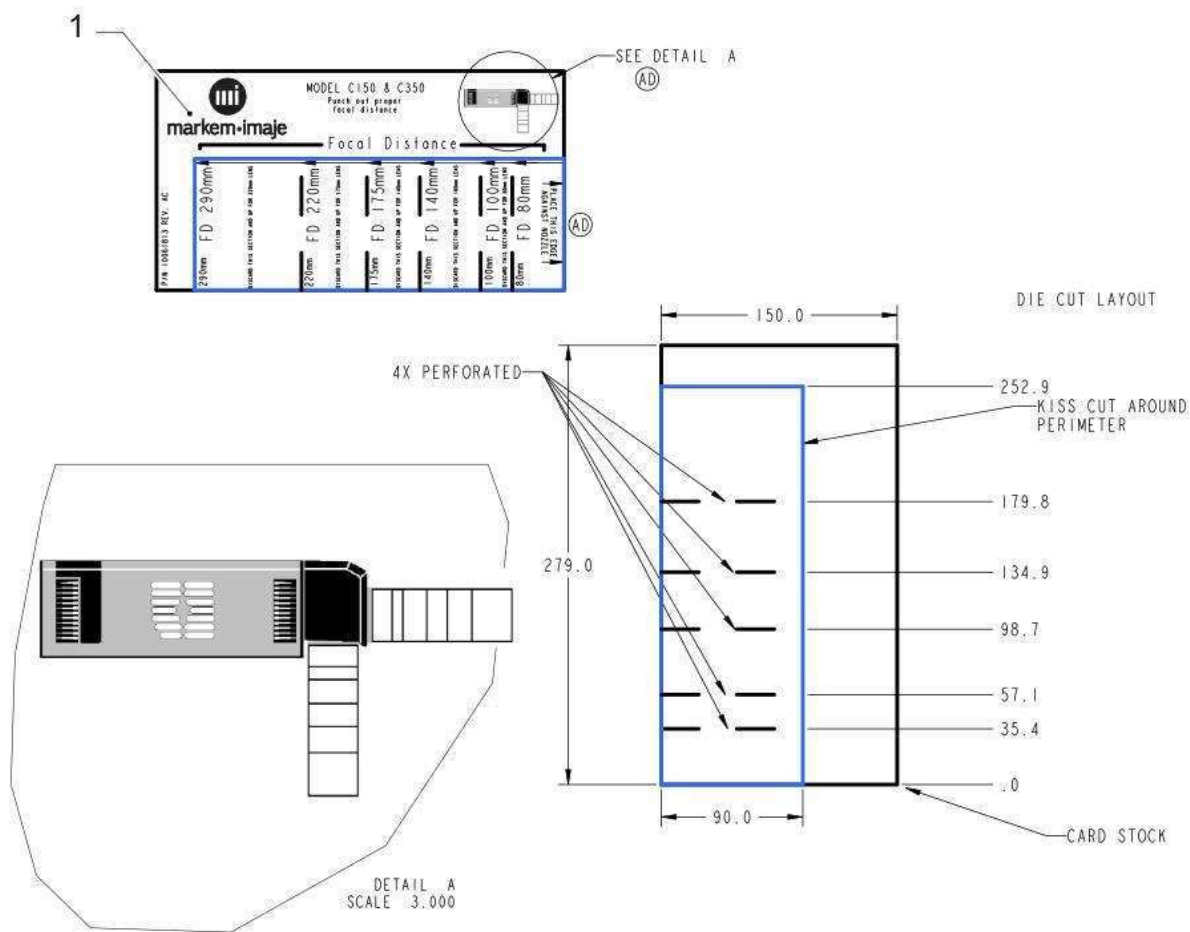


TV03026

Item	Part number	Description
1	10063813	Lens HD 75 mm Fd80 x 48mm Ø 10.2-10.6 µm 75 mm x 75 mm
1	10063814	Lens HD 100 mm Fd100 x 48mm Ø 10.2-10.6 µm 100 mm x 105 mm
1	10063815	Lens HD 150 mm Fd140 x 48mm Ø 10.2-10.6 µm 150 mm x 160 mm
1	10063816	Lens HD 175 mm Fd175 x 48mm Ø 10.2-10.6 µm 175 mm x 195 mm
1	10063810	Lens HD 225 mm Fd225 x 48mm Ø 10.2-10.6 µm 225 mm x 245 mm
1	10063811	Lens HD 300 mm Fd300 x 48mm Ø 10.2-10.6 µm 300 mm x 335 mm
1	10061226	Lens HD 435 mm Fd435 x 48mm Ø 10.2-10.6 µm 435 mm x 500 mm
1	10061227	Lens HD 430mm Fd430 x 55mm Ø 10.2-10.6 µm 500 mm x 500 mm
1	10073058	Lens HD 236mm Fd236 x 55mm Ø 10.2-10.6 µm 255 mm x 255 mm
1	10073056	Lens HD 370mm Fd370 x 55mm Ø 10.2-10.6 µm 382 mm x 382 mm

Lens Kits

Card-Focal Distance C150 and C350




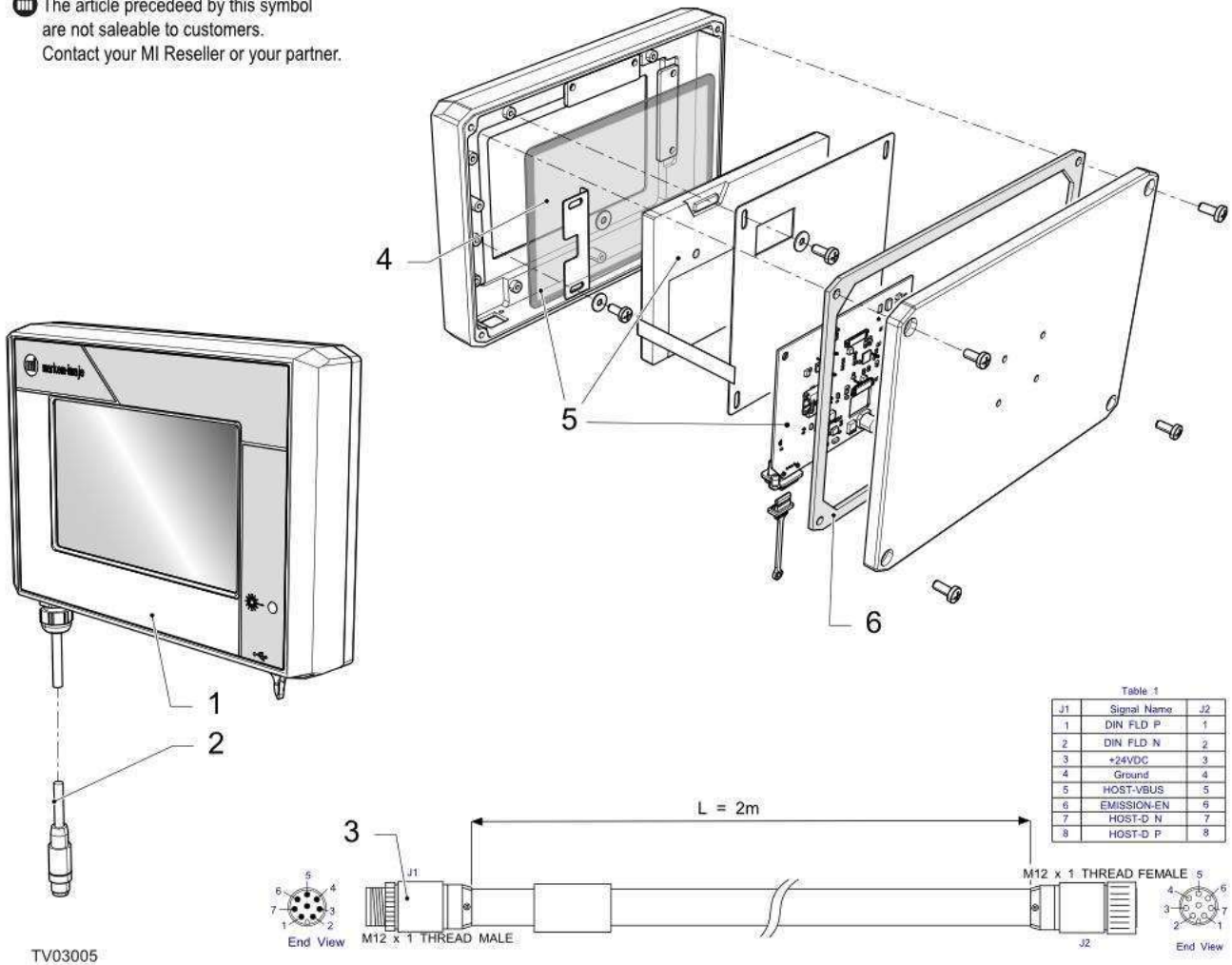
TV03004

Item	Part number	Description
1	10061813	Card-Focal Distance C150 & C350



User Interface

SL C350 Spare User Interface

 The article preceded by this symbol are not saleable to customers. Contact your MI Reseller or your partner.

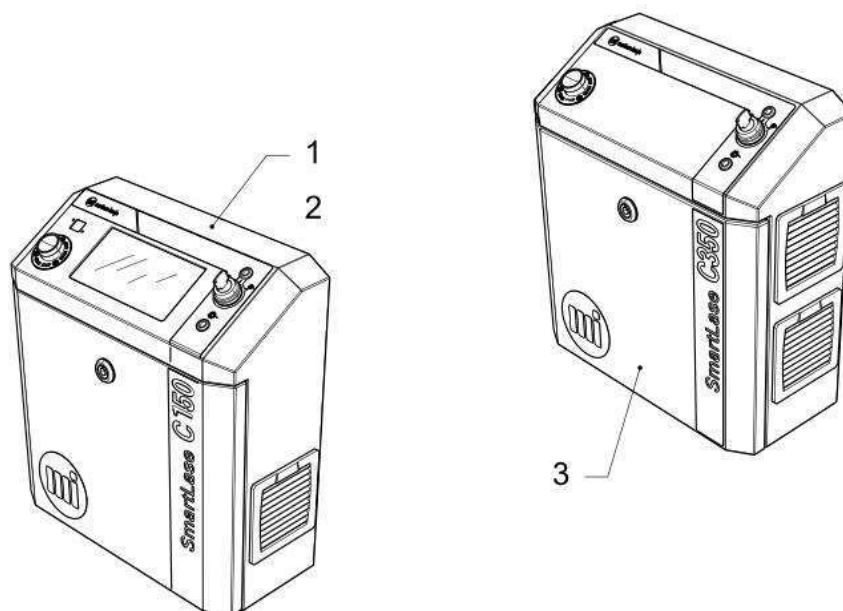


TV03005

Item	Part number	Description
1	10058054	SLC Remote User Interface
1	ENR10058054	Refurbished SL C350 Spare User Interface
2	10061115	SL C350 User Interface Cable Kit (3m long, M12-8, affixed to User Interface)
3	10069473	Cable User Interface Extender (2-meter long cable to extend the User Interface)
4	 10061116	SLC User Interface Display Overlay Kit (Touch Screen overlay only)
5	10082815	SLC Display Kit
6	 10061119	SL C350 User Interface Cover Gasket Kit (Perimeter + 3 squares)

Controller

Spare Controller (1/3)

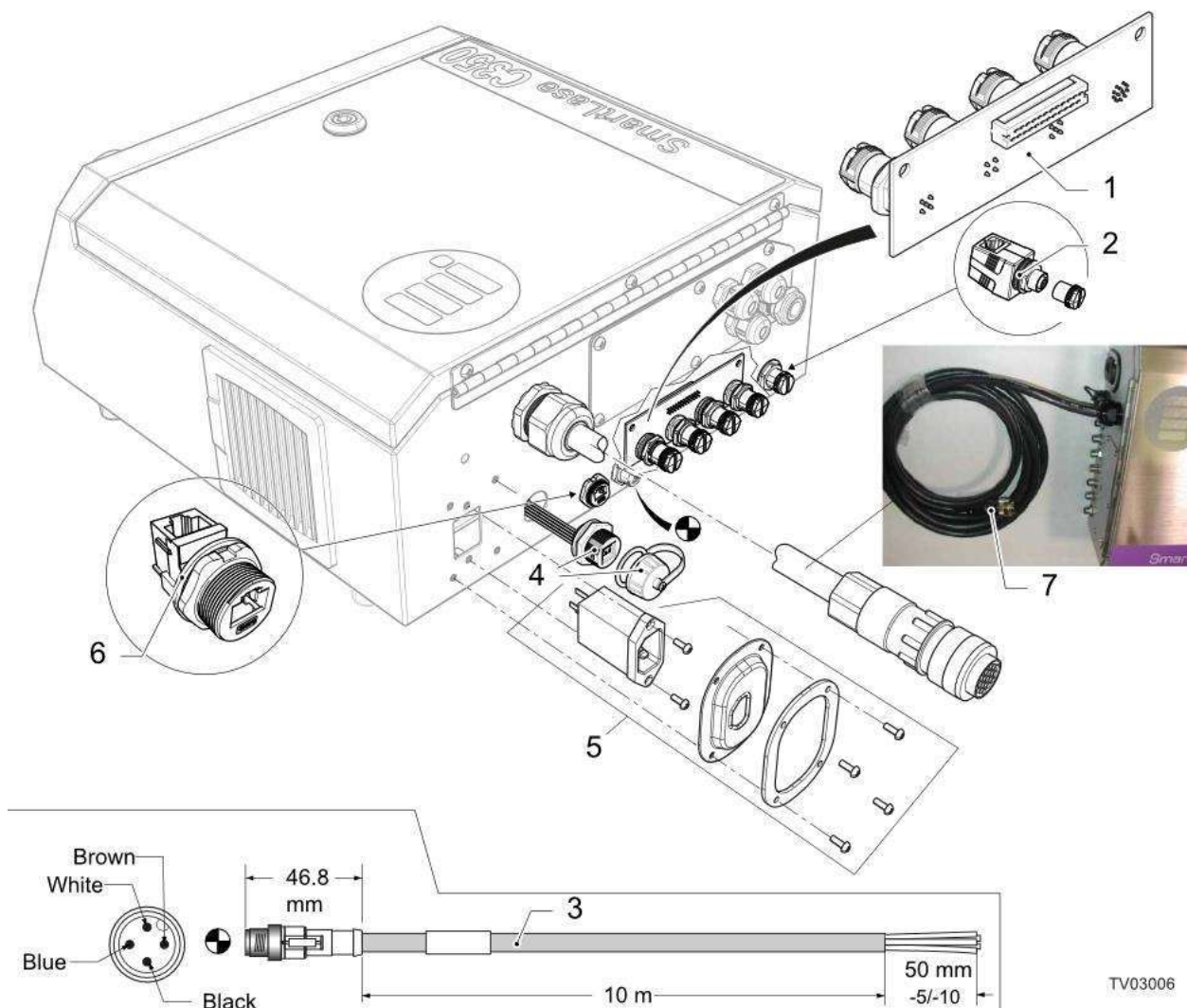


TV03070

Item	Part number	Description
1	10060104	SL C150 Spare Controller with integral UI
2	10064285	SL C150 Controller for remote UI
3	10058345	SL C350 Spare Controller

Controller

Spare Controller (2/3)

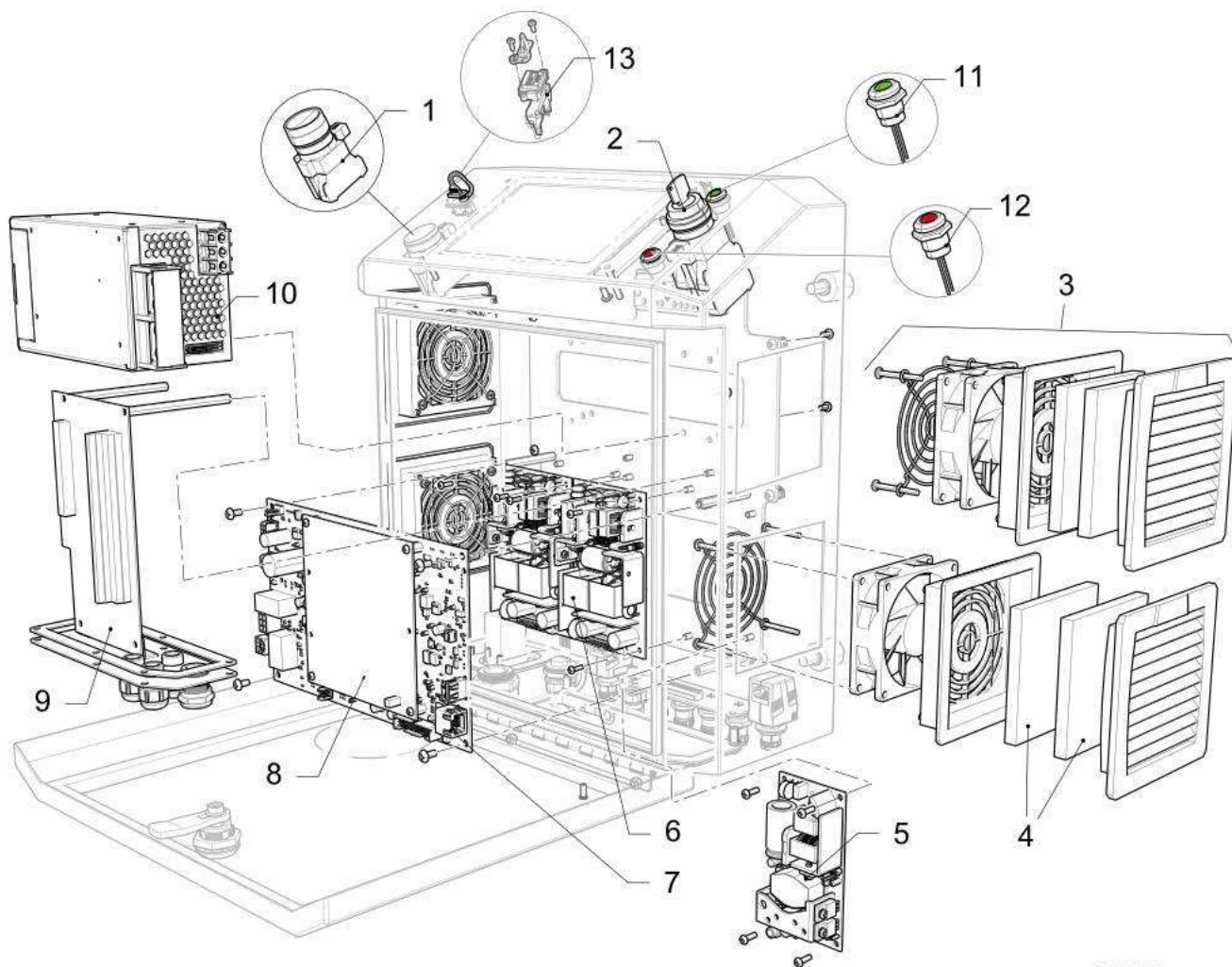


TV03006

Item	Part number	Description
1	10061292	SLC PCA Access, Connect Board Kit
2	10061296	SLC to UI Controller Connect Kit
3	10061735	Remote Interlock Cable M12 - 4 - M
4	10061295	SLC USB-B Host Connector Kit
5	10061293	SLC Power Input Module Kit (250 V - 10 A)
6	10061294	SLC Controller Ethernet Connect Kit
7	ENM10061712	3m SLC Printhead Umbilical Cable
7	10061289	6m SLC Printhead Umbilical Cable
7	10061290	SLC Printhead to controller cable kit (9 m)
7	ENM10061714	9m SLC Printhead Umbilical Cable
7	ENM10075356	9m SLC Heavy Duty Printhead Umbilical Cable
	10061306	SLC M12 Cap Kit (not shown) package of (5) plastic caps

Controller

Spare Controller (3/3)

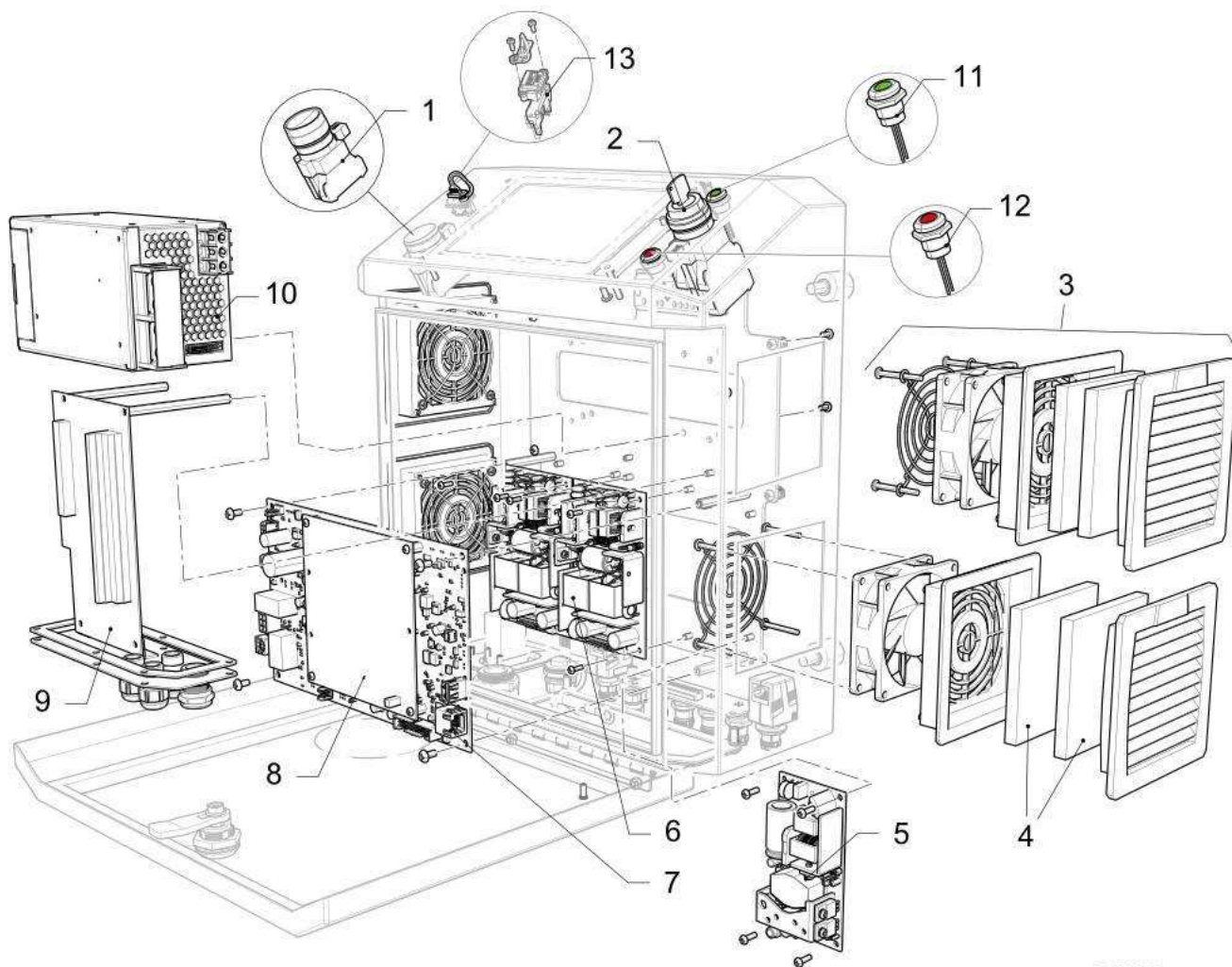


TV03007

Item	Part number	Description
1	10061297	SLC Beam Stop Switch Kit
2	10061298	SLC Key Switch Kit
3	10061318	SLC Controller Fan Cover Kit
3	10061317	SL C350 Controller Fan Kit
3	10061911	SL C150 Controller Fan Kit
4	10061288	SL C350 Controller Filter Kit (filter x8)
4	10061910	SL C150 Controller Filter Kit (filter x4)
5	ENM10078628	KIT, SL C150/C350 24V Power Supply Replaces kit p/n 10061303
6	ENM10078547	KIT, SL C150/C350 15V Power Supply Replaces kit p/n 10061302
7	10061300	SLC Controller Techno Board Kit
8	10061301	SLC HEP Board Kit
9	10061204	Industrial I/O kit
10a	ENM10078626	KIT, SL C350 48V Power Supply

Controller

Spare Controller (3/3)

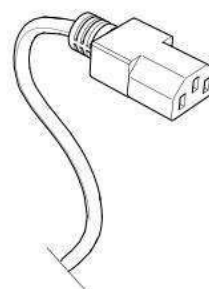
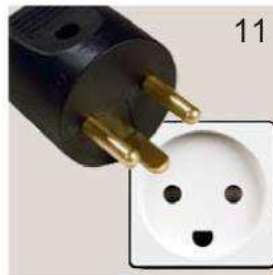
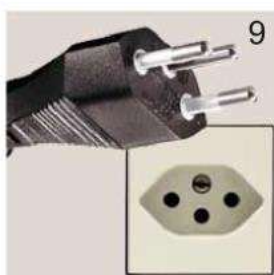
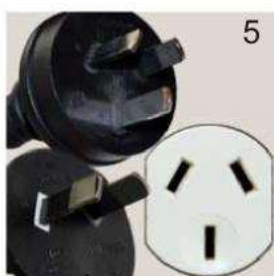
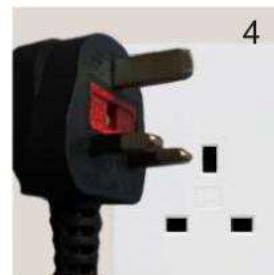


TV03007

Item	Part number	Description
		Replaces kit p/n. 10061304.
10b	ENM10078627	KIT, SL C150 27V Power Supply Replaces kit p/n. 10061256 (36V. PS. Kit for. C150)
11	10061316	SLC Front Panel Harness Green
12	10061315	SLC Front Panel Harness Red
13	10082697	Controller USB-A Connector Kit
	10061299	SLC Spare Keys (not shown)
	10061305	SLC Fuse Kit (head & controller) (not shown)

Power Mains cable

Main Supply Cable

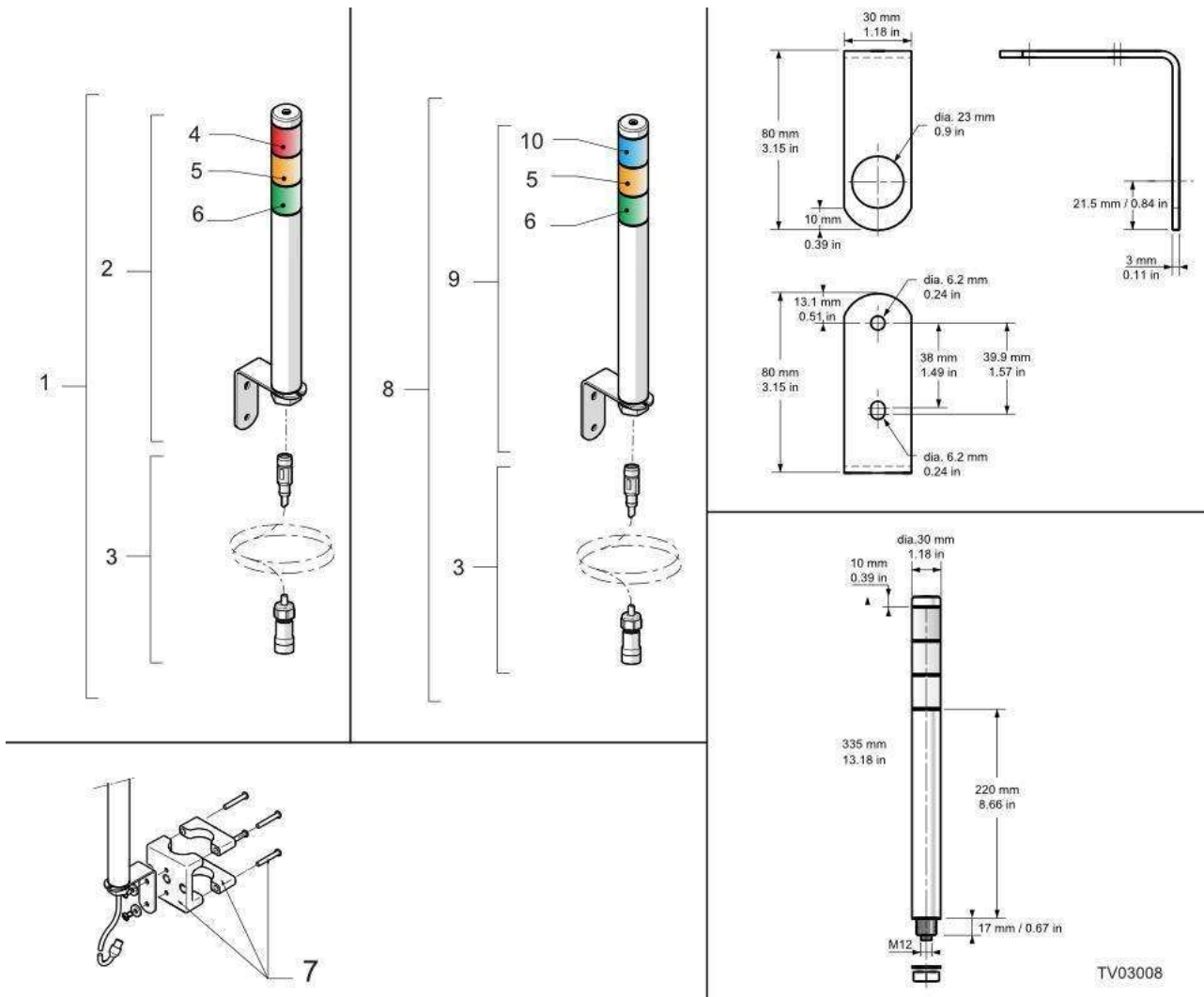


TV03040

Item	Part number	Description
1	10057907	Main Supply Cable EEC standard (3 m)
2	0684864	Main Supply Cable US (115V) standard (3 m)
3	10058385	Main Supply Cable US (240V) standard (3 m)
4	10057908	Main Supply Cable UK standard (3 m)
5	10058278	Main Supply Cable Australia (3 m)
6	10057911	Main Supply Cable Argentina standard (3 m)
7	10058277	Main Supply Cable Chinese standard (3 m)
8	10061782	Main Supply Cable Israel standard (3 m)
9	10057909	Main Supply Cable Swiss standard (3 m)
10	10061783	Main Supply Cable India/South Africa (3 m)
11	10057910	Main Supply Cable Danish standard (3 m)

Accessories

Status beacon

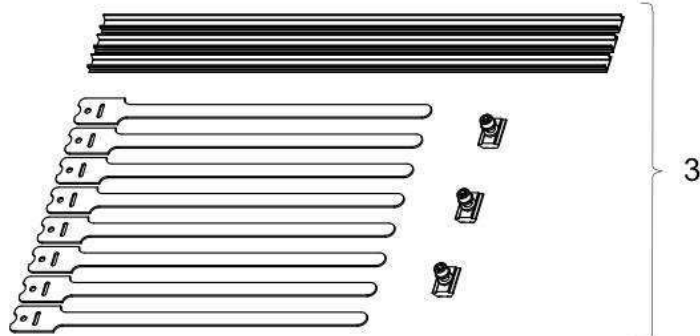
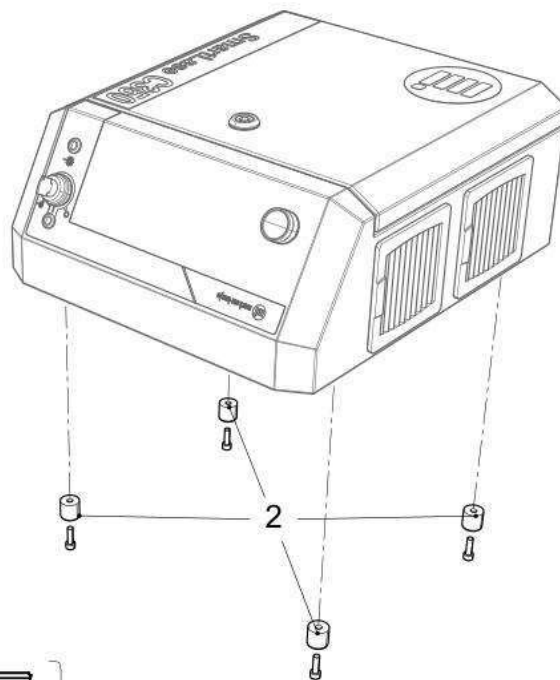
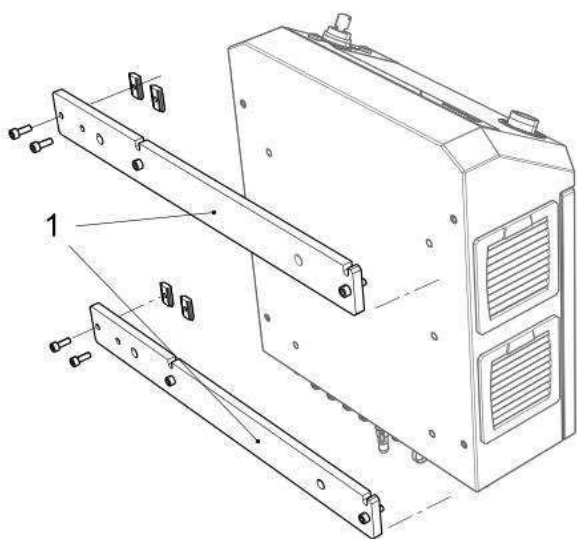


TV03008

Item	Part number	Description
1	A43961	Status beacon - 24 V. - 3 elements (Red/Green/Orange) with cable
2	A43931	Status beacon 24V RYG M12-4 (Red, Yellow, Green)
3	A43940	Cable 5 m - M12-4-F-A M12-4-M-B
4	A42244	Module - Red
5	A42245	Module - Orange
6	A42246	Module - Green
7	A28466	Bracket - Status beacon - Inox foot
8	A43960	Status beacon - 24 V. - 3 elements (Blue/Green/Orange) with cable
9	A43930	Status beacon 24V BYG M12-4 (Blue, Yellow, Green)
10	A43935	Tower blue led module

Accessories

Controller mount

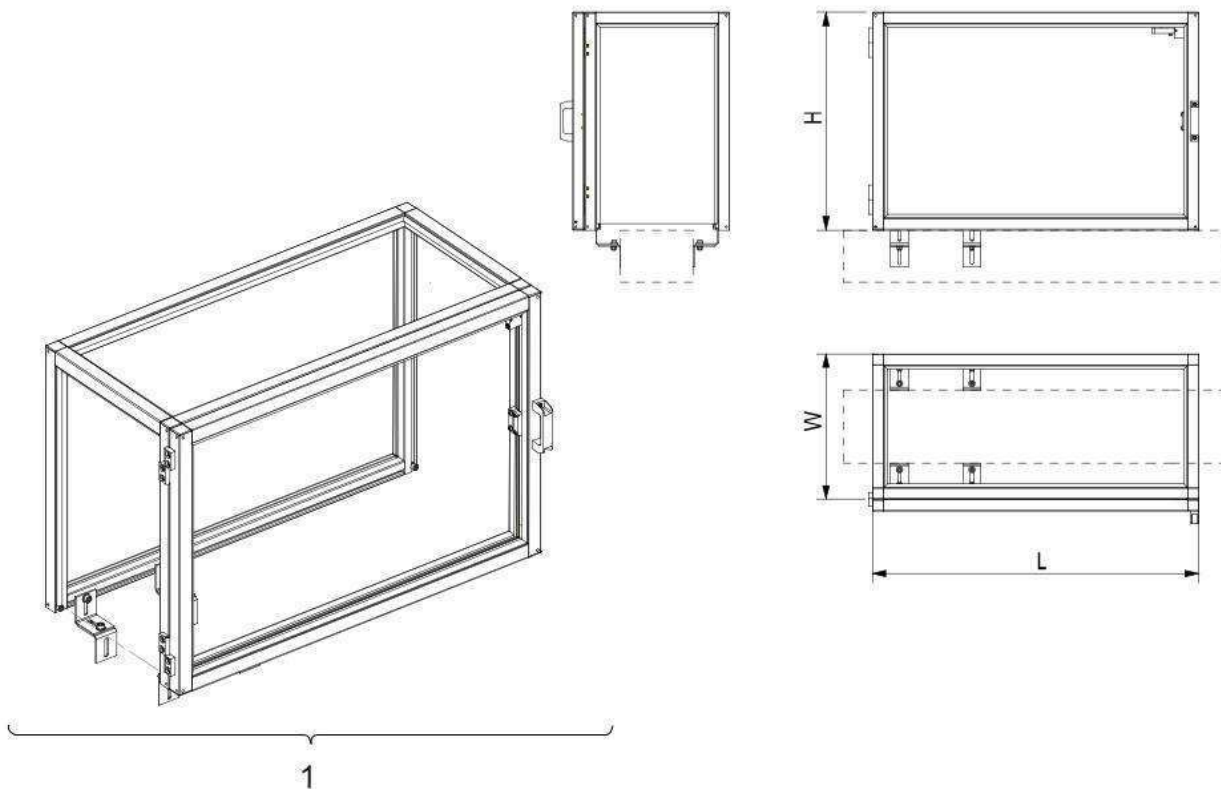


TV03009

Item	Part number	Description
1	10060302	Controller Mast Mount Kit
2	10060303	Controller desktop mount kit
3	10061609	Cable Management Kit

Accessories

Conveyor Tunnels - side open

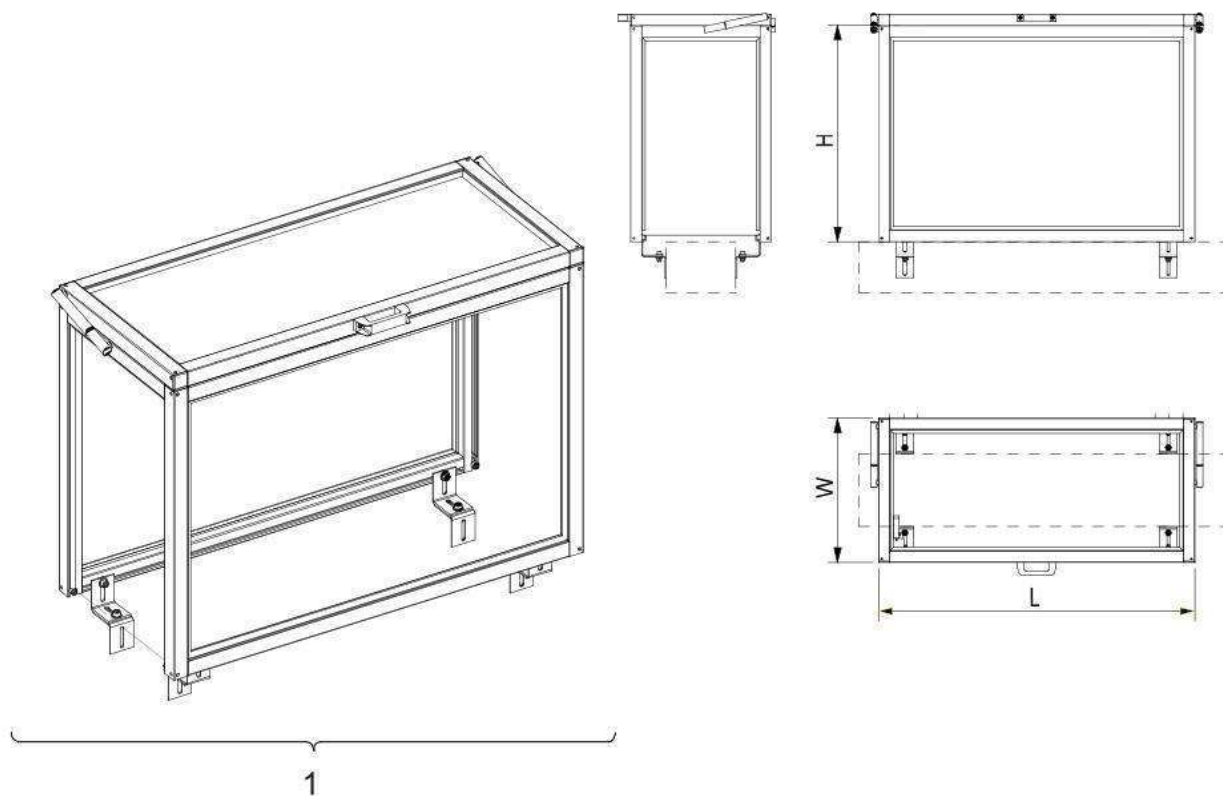


TV03010

Item	Part number	Description
1	A70180	Tunnel - W400 - L600 - H400 - Side open
1	A70181	Tunnel - W400 - L900 - H400 - Side open
1	A70183	Tunnel - W400 - L600 - H600 - Side open
1	A70184	Tunnel - W400 - L900 - H600 - Side open

Accessories

Conveyor Tunnels - top open

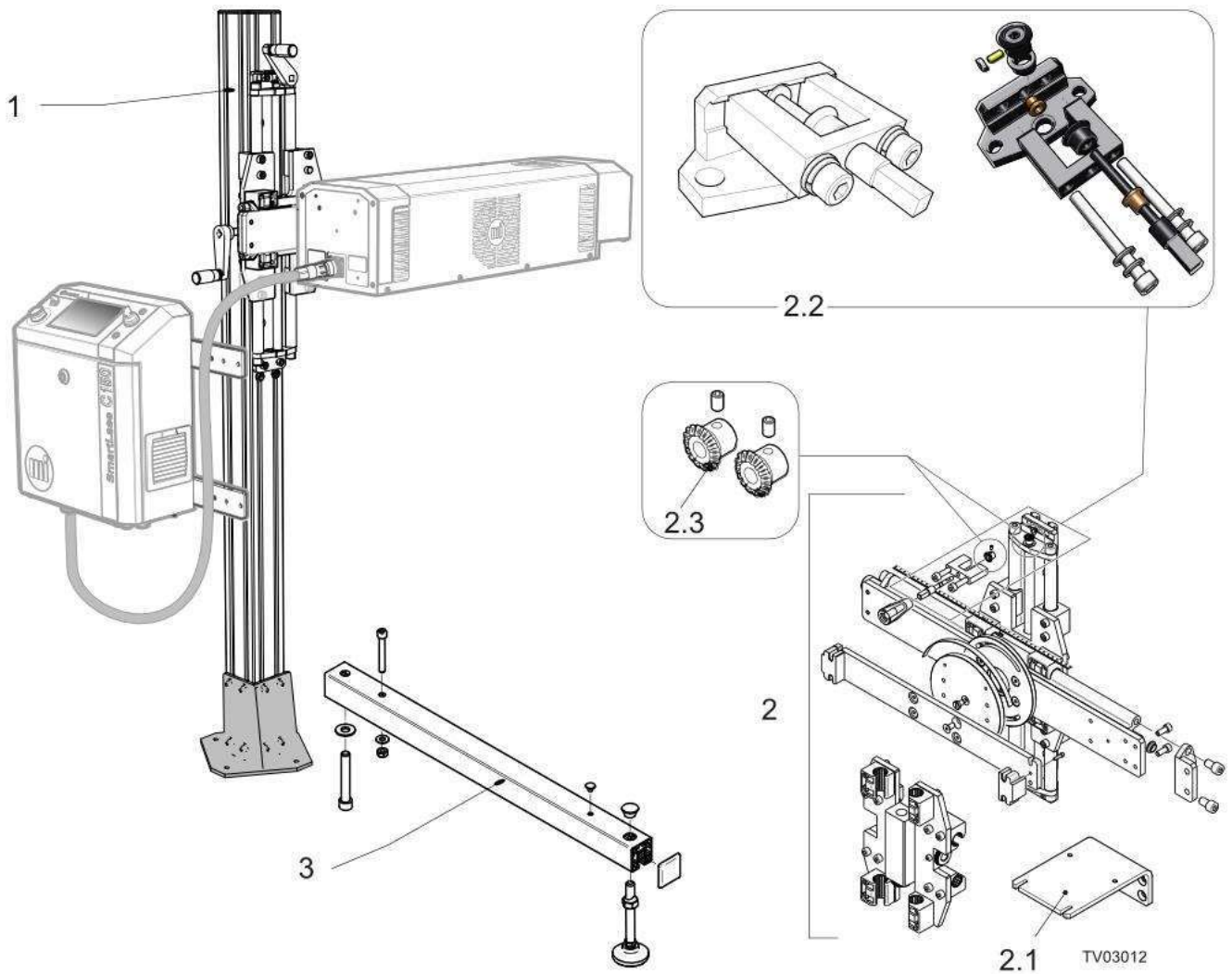


TV03011

Item	Part number	Description
1	A70162	Tunnel - W400 - L600 - H400 - Top open
1	A70163	Tunnel - W400 - L900 - H400 - Top open
1	A70165	Tunnel - W400 - L600 - H600 - Top open
1	A70166	Tunnel - W400 - L900 - H600 - Top open

Accessories

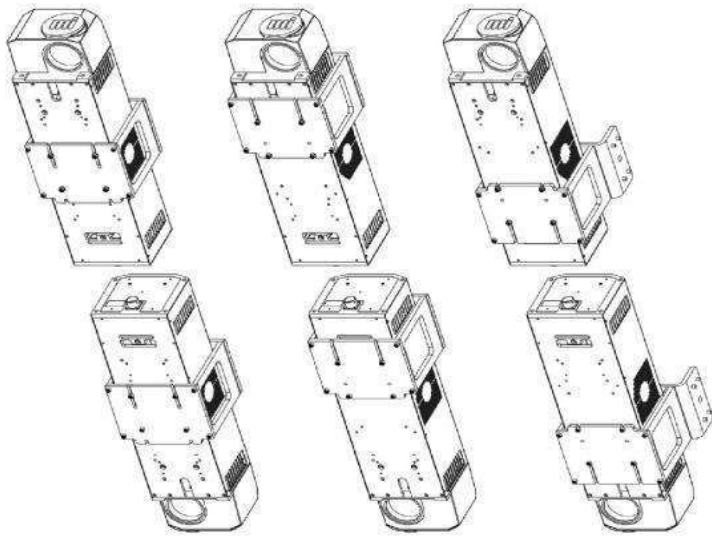
Stands and options



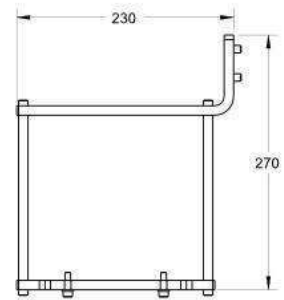
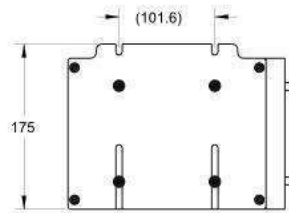
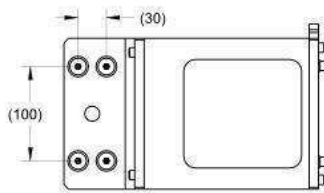
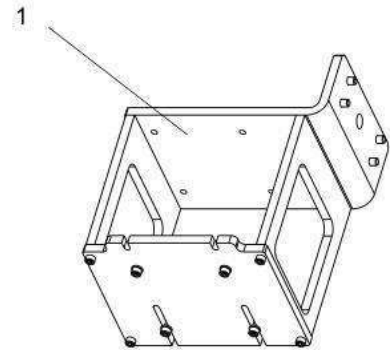
Item	Part number	Description
1	A70633	SLC Adjustable Head Stand
2	A70632	Head Adjustment Kit for packaging machine mount
2.1	A70626-MED	Print Head Mounting Bracket
2.2	10081393	Heavy Duty Gear Drive replacement Kit
2.3	10078788	Kit, Gear replacement, Laser Stand
		These gears are NOT compatible with the HD Gear Drive replacement Kit 10081393
3	A70628	Feet Kit, includes legs

Accessories

Reverse mount kit



PROPER MOUNTING CONFIGURATIONS

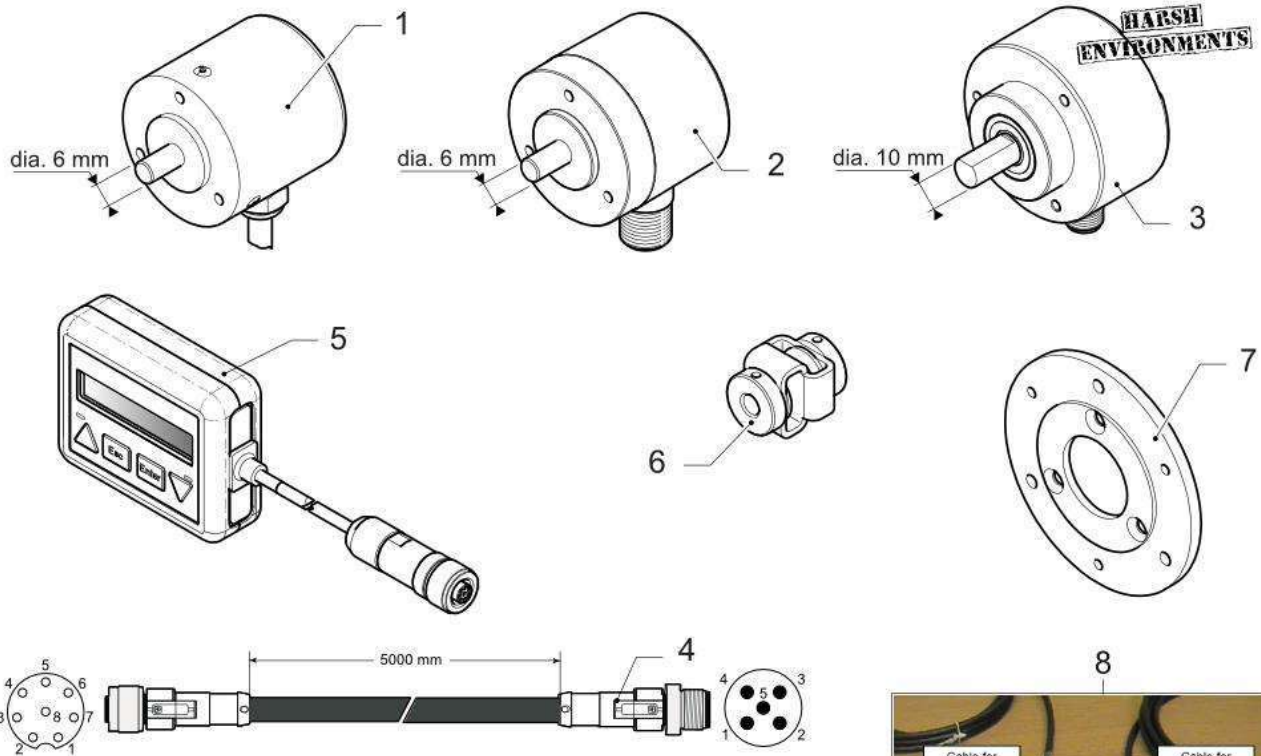


TV03013

Item	Part number	Description
1	10062785	SLC Series Printer Reverse Mount Kit Assembly

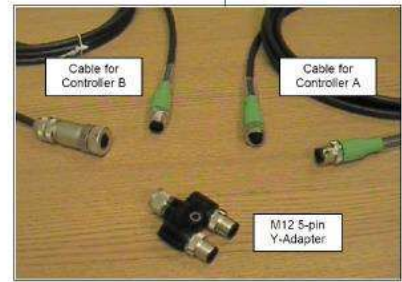
Accessories

Shaft encoders



pin	signal	description
1	0 V	voltage supply
2	+Vs	voltage supply
3	CHA	channel A
4	CHB	channel B
5	n.c	not connected
6	n.c	not connected
7	CHB Inv.	channel B inverted
8	CHA Inv.	channel A inverted

pin	signal	description
1	0 V	voltage supply
2	0 V	voltage supply
3	0 V	voltage supply
4	CHA	channel A
5	CHB	channel B

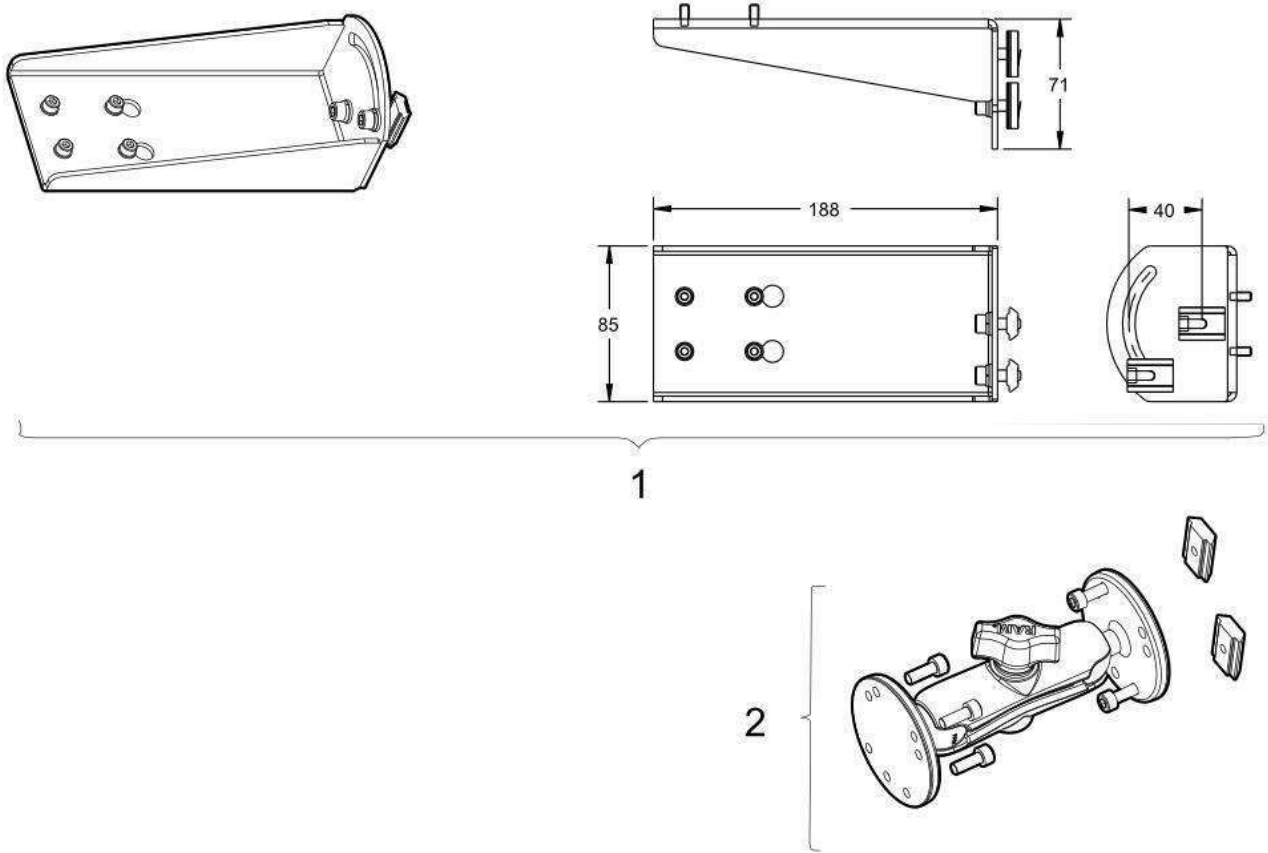


TV03071

Item	Part number	Description
1	A41369	Encoder - 5000 Pulses/revolution - With cable 5 m The encoder must be connected with the encoder kit. Contact your Markem-Imaje representative or your distributor.
2	A41370	Encoder configurable Ø 58 - shaft 6mm - With connector M12 (without cable) The encoder must be connected with the encoder kit. Contact your Markem-Imaje representative or your distributor.
3	A41372	Encoder configurable Ø 58 - shaft 10mm - With connector M12 (without cable)
4	A41371	Cable - 5 m - For encoder configurable
5	A41420	Programming Tool (encoder Ø 58) Programming Tool for setup of A41372 Encoders
6	A41400	Flexible coupling 6-10
7	A41390	Adaptation plate - For encoder accessories before 2011
8	10064210	Kit Shared Encoder Cable - M12 5-pin for (2) SLC Controllers

Accessories

Remote UI mount

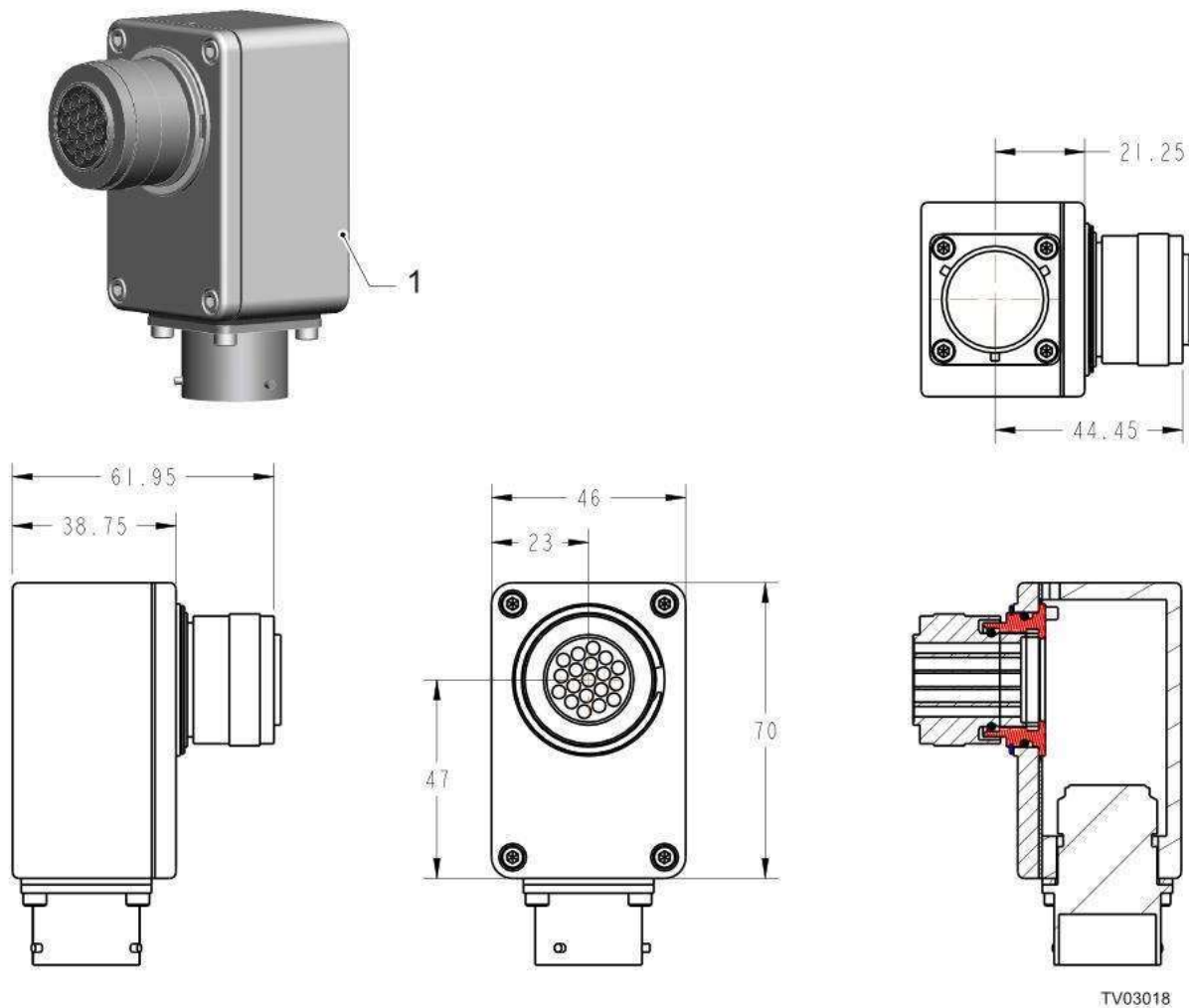


TV03017

Item	Part number	Description
1	10060300	SLC Series Remote User Interface fixed mount kit
2	10060301	SLC Series Remote User Interface adjustable mount kit

Accessories

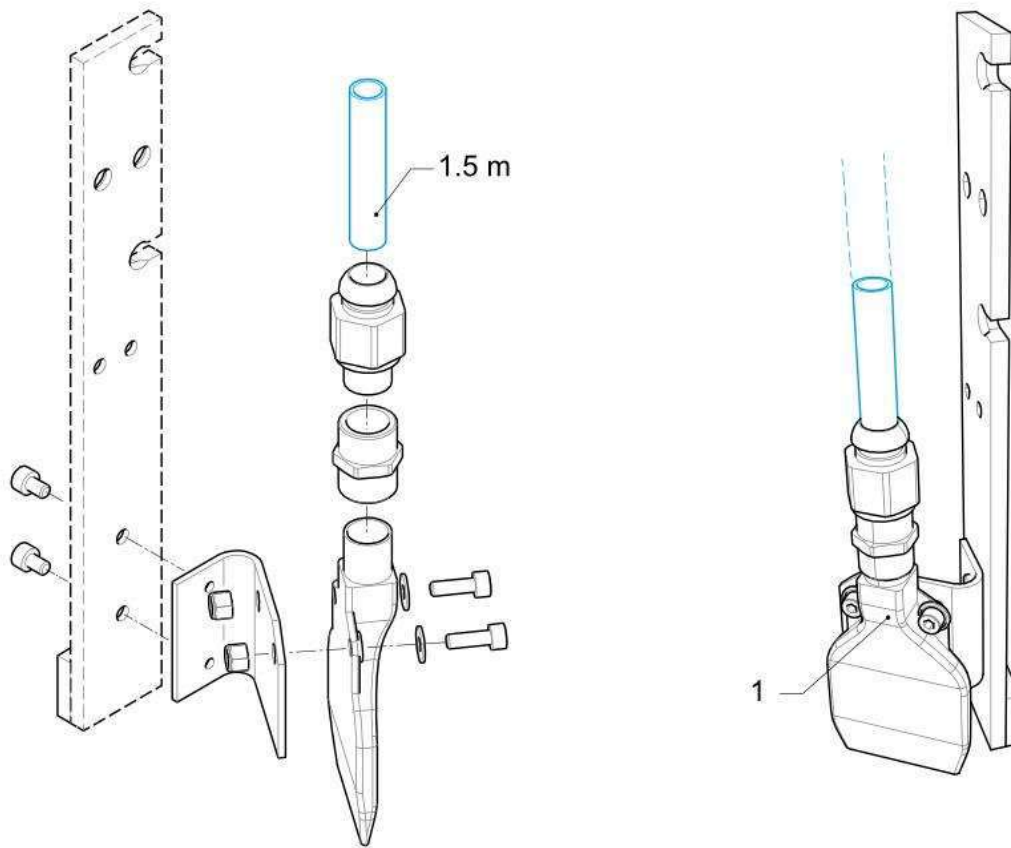
90° Print head umbilical adaptor



Item	Part number	Description
1	10060765	90° Print Head Umbilical Adaptor

Accessories

Blowing kit

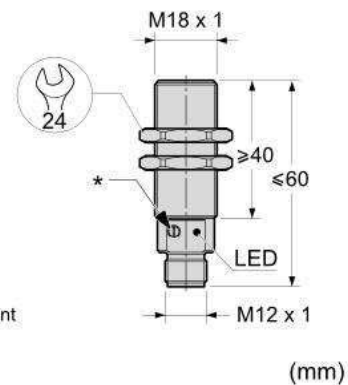
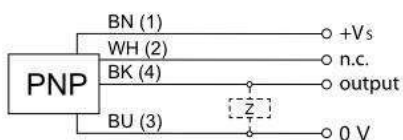
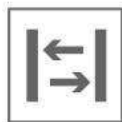


TV01145

Item	Part number	Description
1	A34598	Blowing kit

Sensors

Photoelectric sensors



* réglage sensibilité
* sensitivity adjustment

Detection distance	From 60 to 430 mm
Ambient conditions	Operating temperature: -25 +55°C
Protection class	IP 67
Application example	Universal (Standard application): Cardboard, paper, plastic...

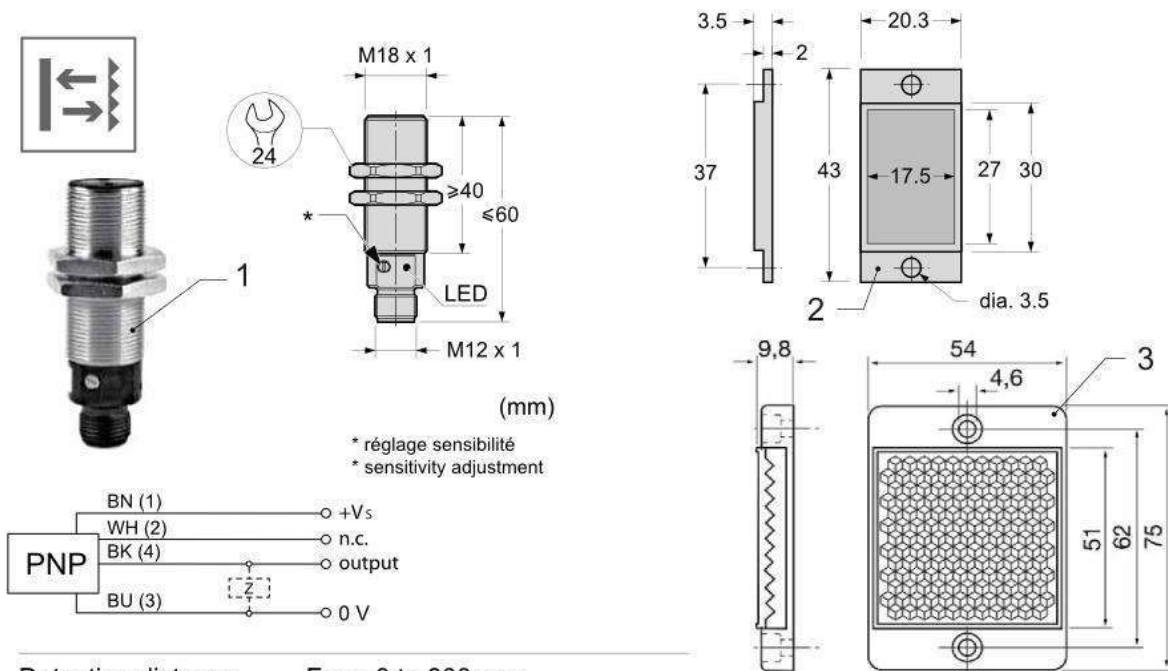
Portée de détection	60 à 430 mm
Conditions ambiantes	Température de fonctionnement : -25 +55°C
Classe de protection	IP 67
Exemple d'application	Application standard : carton, papier, plastique...

TV01018

Item	Part number	Description
1	A45638	Product sensor diffuse proximity

Sensors

Photoelectric sensors



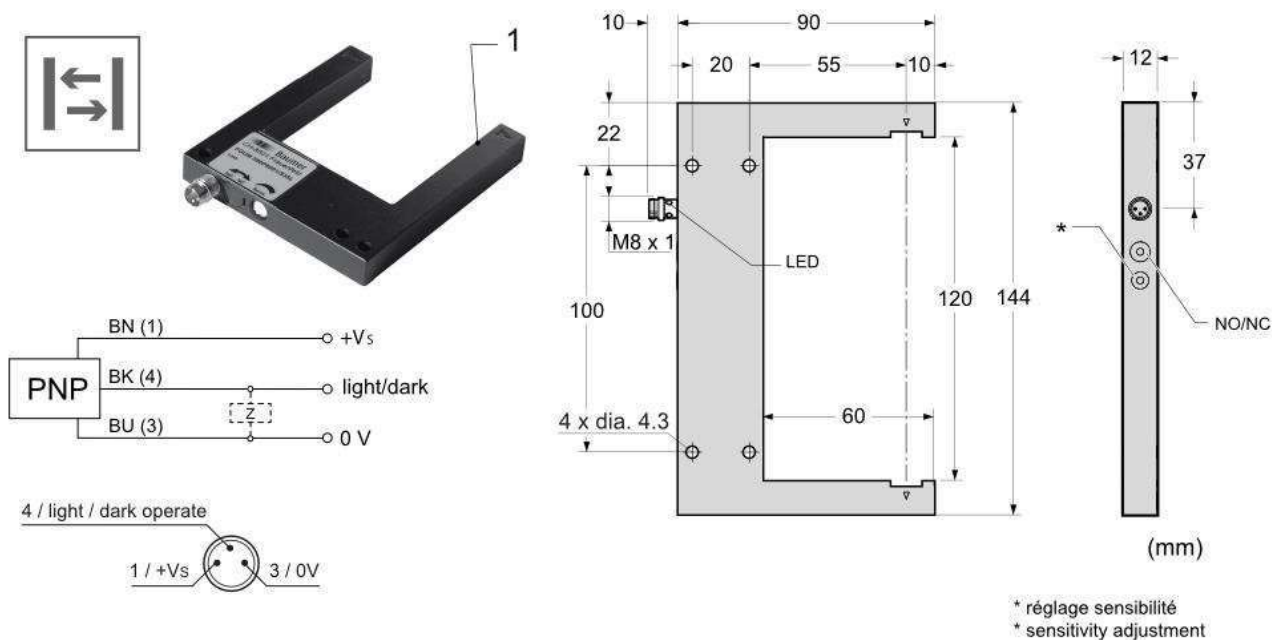
Detection distance	From 0 to 800 mm
Ambient conditions	Operating temperature : -25 +55°C
Protection class	IP 67
Application example	Transparent product requiring precision like bottling line, glass... Universal (Standard application): Cardboard, paper, plastic...
Portée de détection	0 à 800 mm
Conditions ambiantes	Température de fonctionnement : -25 +55°C
Classe de protection	IP 67
Exemple d'application	Produit transparent exigeant de la précision comme ligne d'embouteillage, verre... Application standard : carton, papier, plastique...

TV01019

Item	Part number	Description
1	A45639	Product sensor polarized retro reflex
2	A16540	Reflector
3	10104916	Large Reflector

Sensors

Photoelectric sensors



Object size > 0.8 mm
 Ambient conditions Operating temperature : -10 +60°C
 Protection class IP 67
 Application example Bottling line

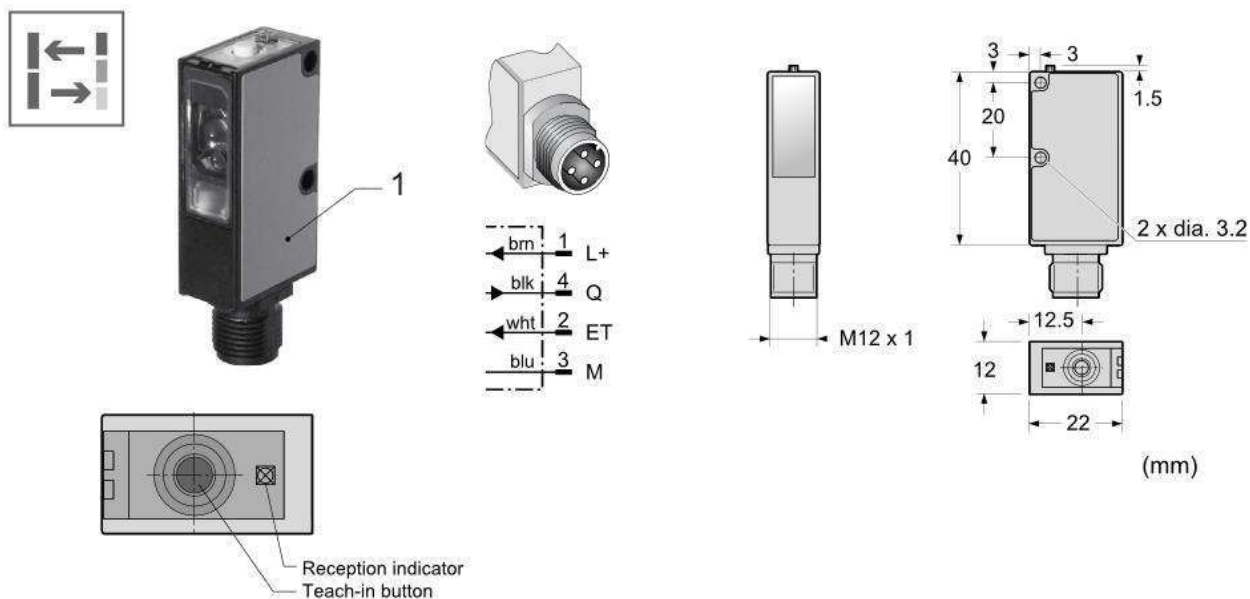
Taille de l'objet > 0.8 mm
 Conditions ambiantes Température de fonctionnement : -10 +60°C
 Classe de protection IP 67
 Exemple d'application Chaîne d'embouteillage

TV01020

Item	Part number	Description
1	A45647	Fork

Sensors

Photoelectric sensors



Sensing distance	12.5 mm
Ambient conditions	Operating temperature : -10 +55°C
Protection class	IP 67
Application example	Film with dark mark

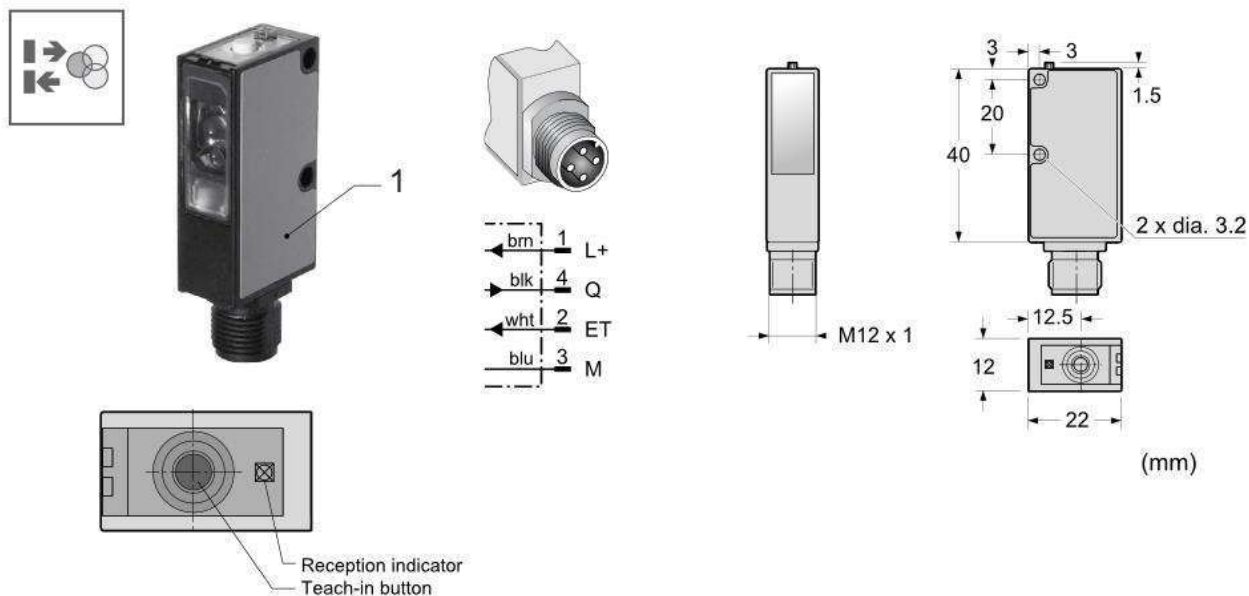
Distance de détection	12.5 mm
Conditions ambiantes	Température de fonctionnement : -10 +55°C
Classe de protection	IP 67
Exemple d'application	Film transparent avec repères foncés

TV01021

Item	Part number	Description
1	A45645	Product sensor contrast

Sensors

Photoelectric sensors



Detection distance	12,5 mm +/- 2mm
Ambient conditions	Operating temperature : 0 +55°C
Protection class	IP 67
Application example	Film with mark

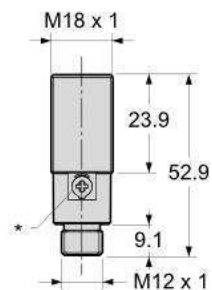
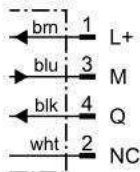
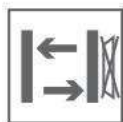
Distance de détection	12,5 mm +/- 2mm
Conditions ambiantes	Température de fonctionnement : 0 +55°C
Classe de protection	IP 67
Exemple d'application	Film avec repères couleur

TV01022

Item	Part number	Description
1	A45646	Product sensor color

Sensors

Photoelectric sensors



* contrôle sensibilité, voyant DEL
* sensitivity control, LED indicator

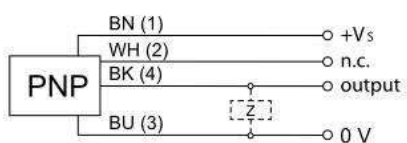
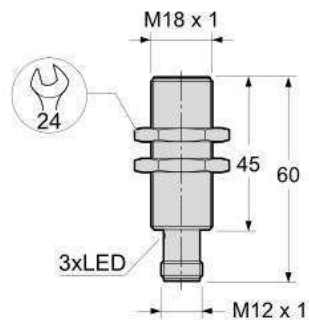
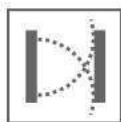
Sensing range	From 2 to 300 mm
Ambient conditions	Operating temperature : -25 +55°C
Protection class	IP 67
Application example	Application with precision in term of product guiding Transparent product
Portée	2 à 300 mm
Conditions ambiantes	Température de fonctionnement : -25 +55°C
Classe de protection	IP 67
Exemple d'application	Application avec guidage précis du produit Produit transparent

TV01023

Item	Part number	Description
1	A45643	Background suppression

Sensors

Inductive sensors



(mm)

Sensing range 8 mm
 Ambient conditions Operating temperature : -25 +75°C
 Protection class IP 67
 Application example Metallic can

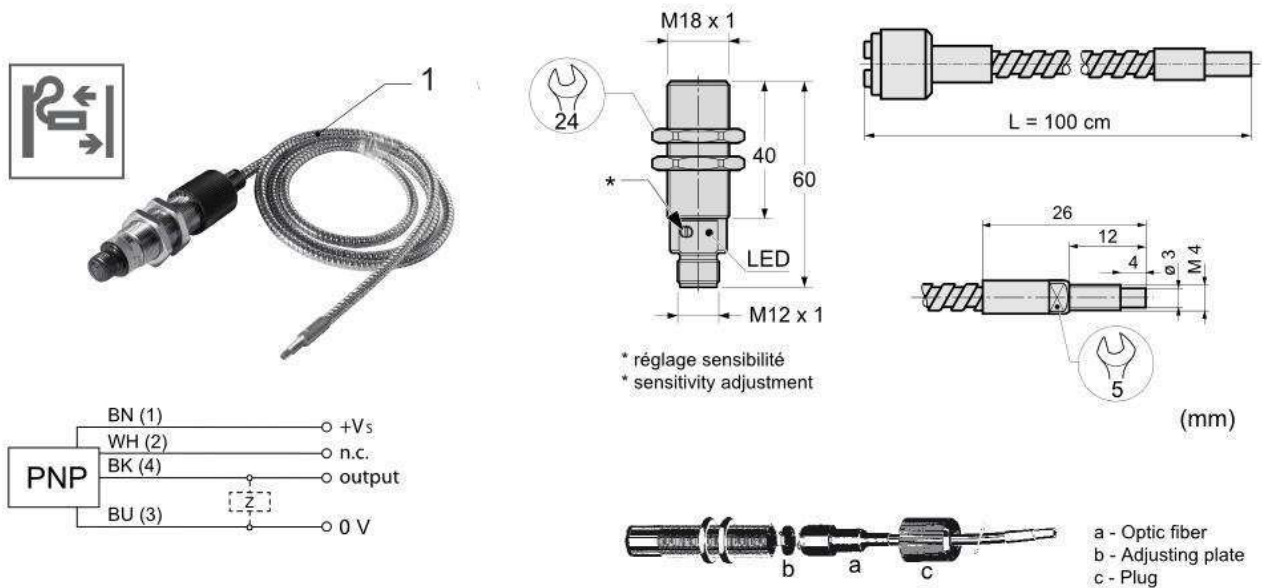
Portée 8 mm
 Conditions ambiantes Température de fonctionnement : -25 +75°C
 Classe de protection IP 67
 Exemple d'application Canette métallique

TV01024

Item	Part number	Description
1	A45642	Inductive M18

Sensors

Photoelectric sensors and optic fibers



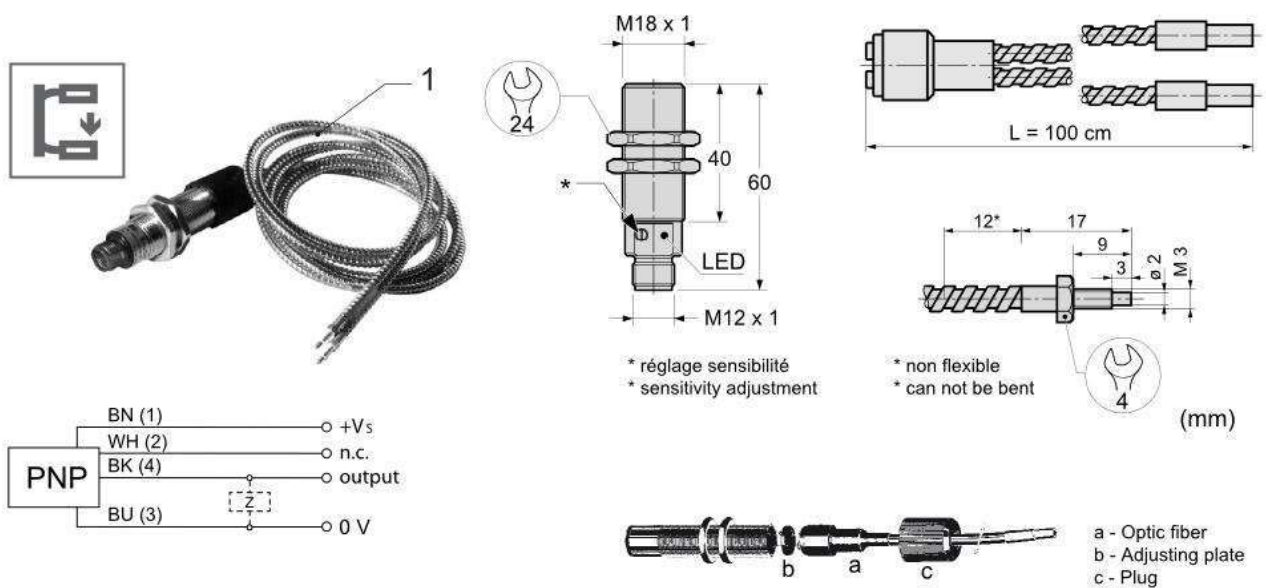
Sensing range	0-150 mm
Ambient conditions	Operating temperature : 0 +55°C
Protection class	IP 67
Application example	Electronic component (small parts) Application with difficult integration (small place)
Portée	0-150 mm
Conditions ambiantes	Température de fonctionnement : 0 +55°C
Classe de protection	IP 67
Exemple d'application	Composant électronique (petites pièces) Application avec intégration difficile (petite place)

TV01025

Item	Part number	Description
1	A45640	Diffuse glass fiber

Sensors

Photoelectric sensors and optic fibers



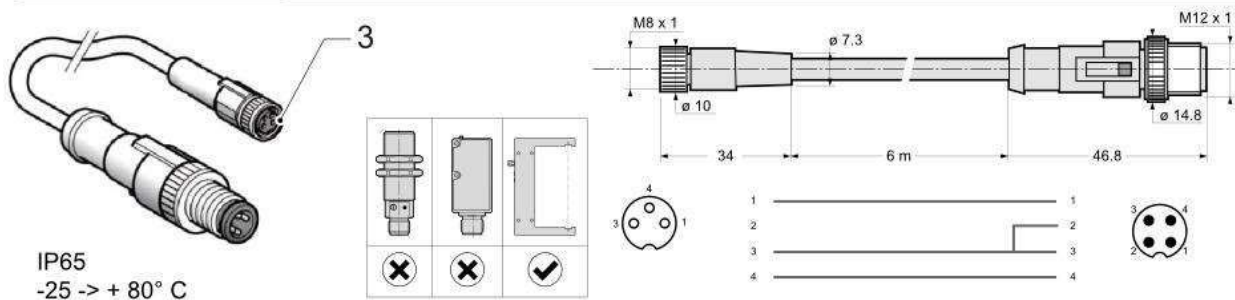
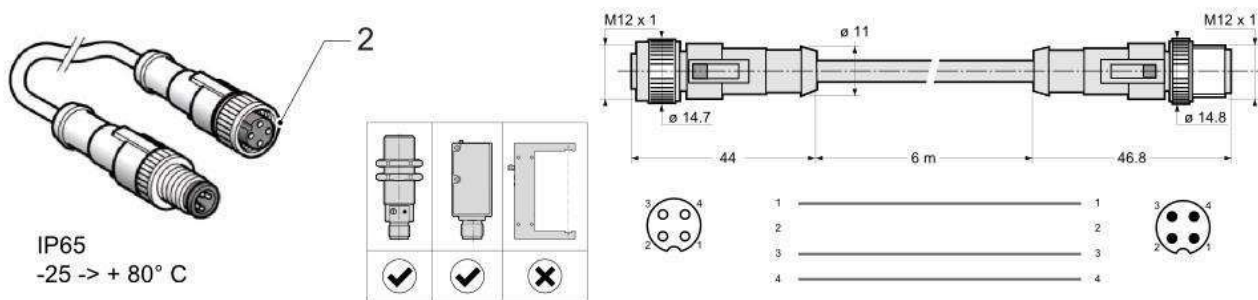
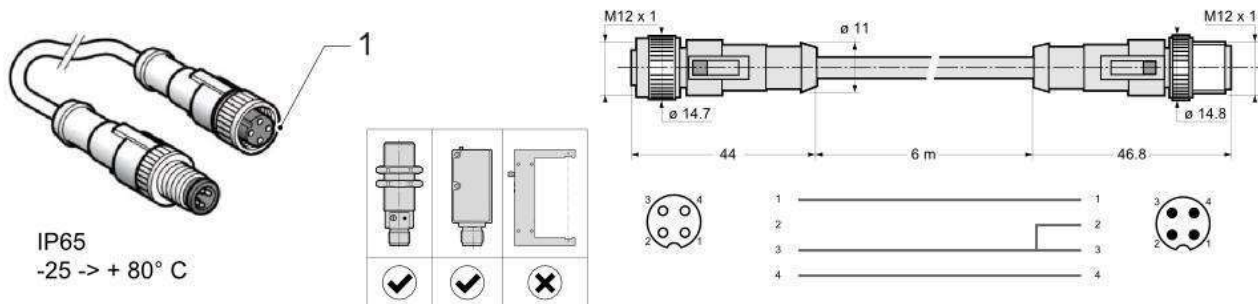
Sensing range	800 mm
Bending radius	Static = 18 mm / Dynamic = 36 mm
Ambient conditions	Operating temperature : 0 +55°C
Protection class	IP 67
Application example	Electronic component (small parts). Application with difficult integration (small place)
Portée	800 mm
Rayon de courbure	Statique = 18 mm / Dynamique = 36 mm
Conditions ambiantes	Température de fonctionnement : 0 +55°C
Classe de protection	IP 67
Exemple d'application	Composant électronique (petites pièces) Application avec intégration difficile (petite place)

TV01026

Item	Part number	Description
1	A45641	Through beam glass fiber

Sensors

Sensors cables



TV01061

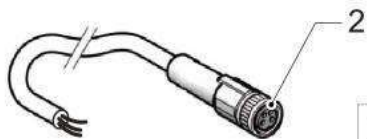
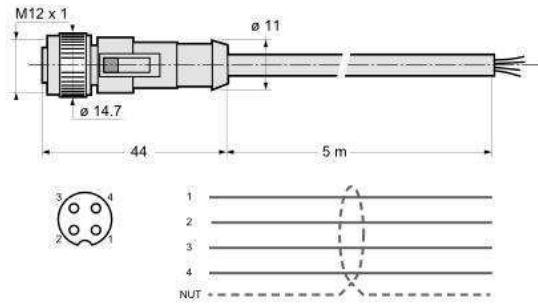
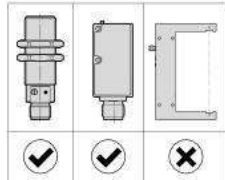
Item	Part number	Description
1	A45652	Câble 6 m - M12-4F.. M12-4M NOTE - 7031, CIJ printers & FLEX SE Applicator
2	A45650	Câble 6 m - M12-4F.. M12-4M NOTE - Use case: SLC C150-C350
3	A45654	Cable 6 m - M8 3 pins female / M12 4 pin male

Sensors

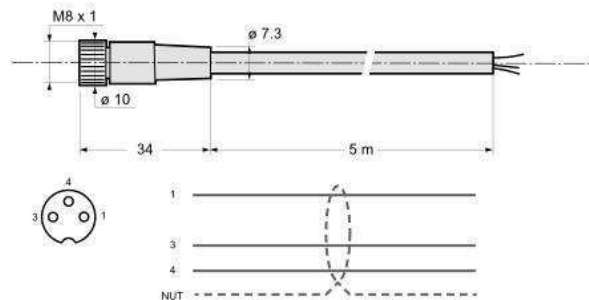
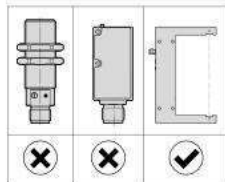
Sensors shielded cables



IP65
-25 -> + 80° C



IP65
-25 -> + 80° C



The non cabled sides could be cabled with a M12 connector.
The wiring should be done according the printer type.

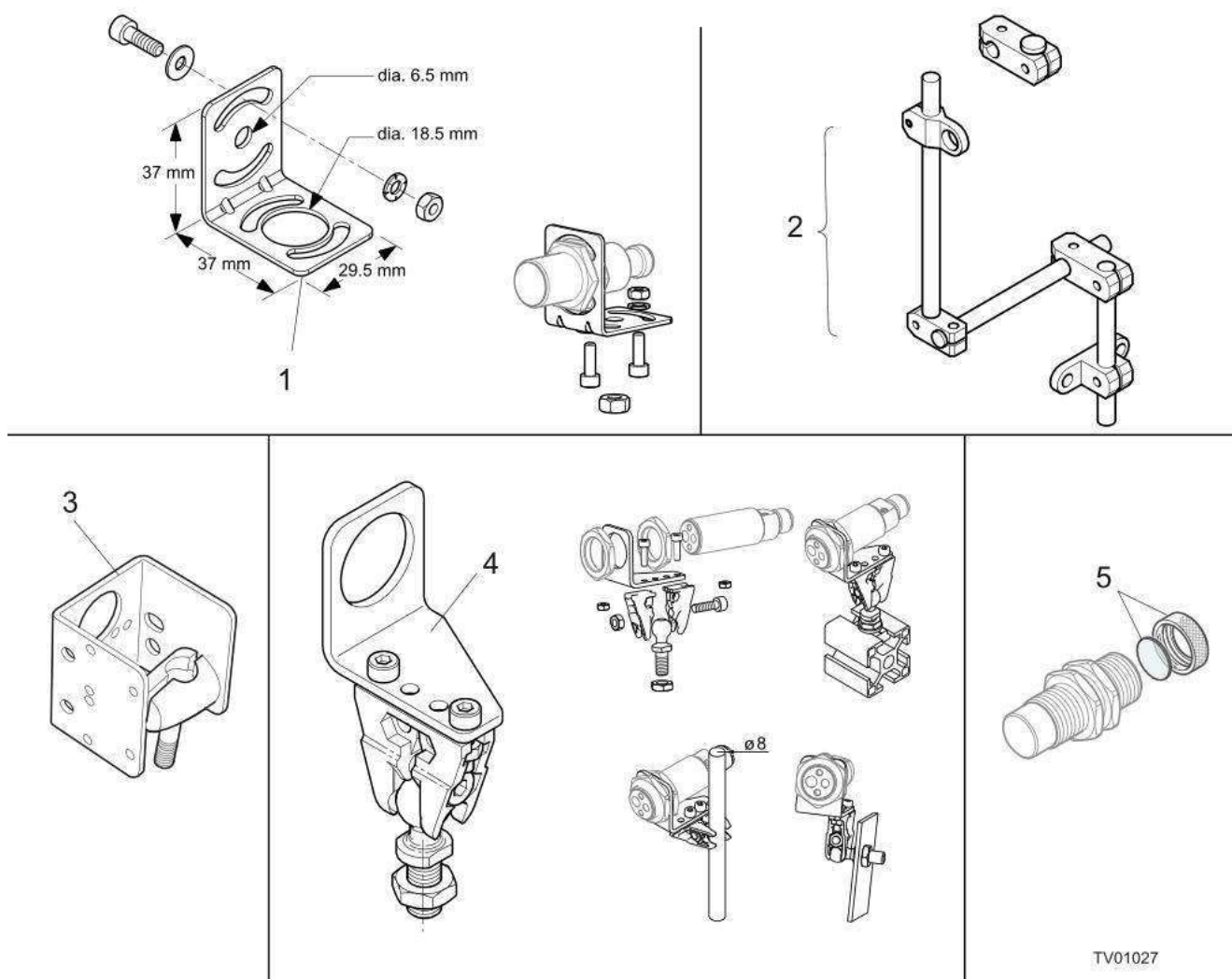
Les extrémités non câblées peuvent être câblées avec un connecteur M12.
Le câblage doit être fait selon le type d'imprimante.

TV01062

Item	Part number	Description
1	A45655	Product Sensor 5m - M12 4 female shielded pigtail
2	A45656	Cable 5 m - M8 3 female shielded pigtail
3	A35956	Connectors Kit I/O (x3)

Sensors

Support and protection sensors



TV01027

Item	Part number	Description
1	A16538	Mounting bracket - Photocell M18 - Optical fiber
2	A16539	Support - Photocell M18
3	A45660	Support - Photocell M18 and parallelepiped cell
4	A45661	Adjustable support for photocell M18
5	A16541	Glass protection for M18 sensor Excepted A45642

Tools - Security accessories

Sales Demo Kit



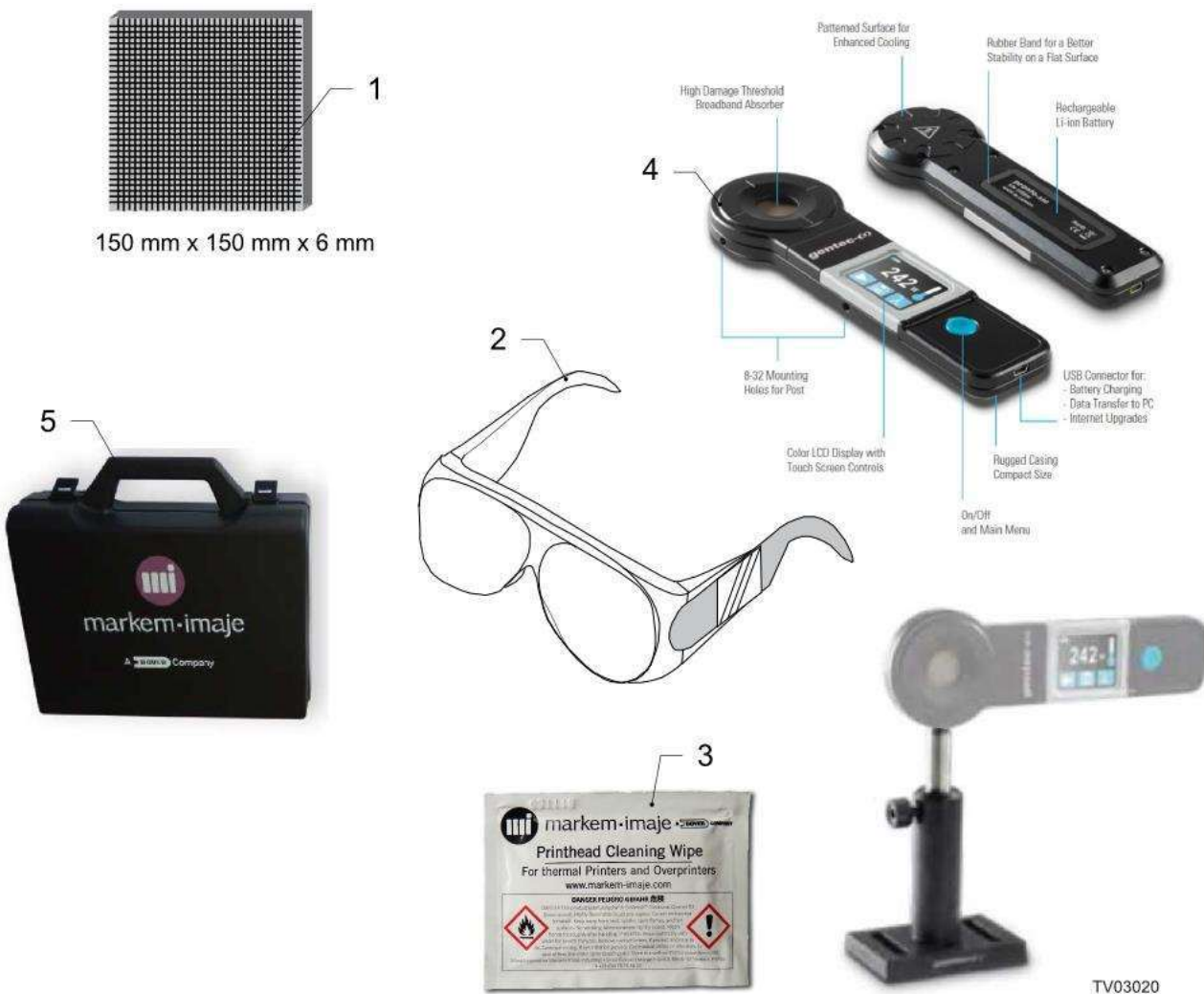
This kit does not include the C printer (Printhead and controller)

TV03122

Item	Part number	Description
1	10063639	<p>Cx50 Sales Demo Kit</p> <p>The SL CX50 Demo Case was designed for safe demonstration of the CX50 laser printer during demonstrations when a quick print is required. It is not intended for production use.</p>

Tools - Security accessories

Tools - Security accessories



Item	Part number	Description
1	A70187	Carbon beam stop
2	0958902	Safety glasses - CO2 Laser
3	5824648	Cleaning Wipes (Pack 100)
4	0712605	Laser Power Probe (stand included)
5	10095080	SLC IP55 Laser Body Cleaning Kit [Brush paint 1-1/2 ; Printhead free wipes, dry (4 boxes)]

Tools - Security accessories

LOTO kit - Lockout/Tagout-System



1



TV01120

Item	Part number	Description
1	A51580	LOTO kit - Lockout/Tagout Included: Electrical Plug Lockout, Pneumatic valve Lockout, Safety padlocks, Valve with 2 fittings, adhesive labels kit, user manual A51859

User Documentation

[To Translate : EN =]



User Documentation Center on www.markem-imaje.com



The articles preceded by this symbol are not saleable to customers but document available in pdf format. Contact your MI Reseller or your Partner.

Les articles précédés de ce code ne sont pas des articles vendables client mais sont des documents disponibles au format pdf. Contacter votre revendeur Markem-Imaje ou votre Distributeur.

- 1 The Safety and important information manual complies with European directive 2006/42/CE. It is translated into various languages. Document supplied in hard copy with the printer.
Le manuel «Sécurité et informations importantes» répond à la directive Européenne 2006/42/CE. Il est traduit en plusieurs langues. Ce document est fourni en papier avec l'imprimante.
- 2 The Instruction manual complies with European directive 2006/42/CE. It is translated into various languages. It describes the basic functions of the printer.
La notice d'instructions répond à la directive Européenne 2006/42/CE. Elle est traduite en plusieurs langues. Elle décrit les fonctions de base de l'imprimante.
- 3 The User manual describes the functions of the printer, technical specifications and preventive maintenance.
Le manuel décrit les fonctions de l'imprimante, les caractéristiques techniques ainsi que la maintenance préventive de l'imprimante.
- 4 The catalog includes all spare parts and accessories of the printer.
Le catalogue regroupe toutes les pièces détachées et accessoires de l'imprimante.
- 5 The Network interface manual describes the use of the serial, parallel and Ethernet interfaces of the printer.
Ce manuel décrit le fonctionnement du protocole de communication des liaisons séries, parallèle et Ethernet de l'imprimante.

TV03021

Item	Part number	Description
1	10081001	Safety and important information Manual - SL C150 - SLC 350
2	10060641	French - Instruction Manual - SL C150/C350
2	10060642	English - Instruction Manual - SL C150/C350
2	10060643	Spanish - Instruction Manual - SL C150/C350
2	10060644	German - Instruction Manual - SL C150/C350
2	10060645	Italian - Instruction Manual - SL C150/C350
2	10060647	Dutch - Instruction Manual - SL C150/C350
2	10060648	Portuguese/Brazilian - Instruction Manual - SL C150/C350
2	10060649	Chinese - Instruction Manual - SL C150/C350
2	10060650	Japanese - Instruction Manual - SL C150/C350
2	10060651	Korean - Instruction Manual - SL C150/C350
2	10060652	Swedish - Instruction Manual - SL C150/C350
2	10060653	Finnish - Instruction Manual - SL C150/C350
2	10060654	Danish - Instruction Manual - SL C150/C350
2	10060655	Norwegian - Instruction Manual - SL C150/C350
2	10060656	Hungarian - Instruction Manual - SL C150/C350

User Documentation

[To Translate : EN =]



User Documentation Center on www.markem-imaje.com



The articles preceded by this symbol are not saleable to customers but document available in pdf format. Contact your MI Reseller or your Partner.

Les articles précédés de ce code ne sont pas des articles vendables client mais sont des documents disponibles au format pdf. Contacter votre revendeur Markem-Imaje ou votre Distributeur.

- 1 The Safety and important information manual complies with European directive 2006/42/CE. It is translated into various languages. Document supplied in hard copy with the printer.
Le manuel «Sécurité et informations importantes» répond à la directive Européenne 2006/42/CE. Il est traduit en plusieurs langues. Ce document est fourni en papier avec l'imprimante.
- 2 The Instruction manual complies with European directive 2006/42/CE. It is translated into various languages. It describes the basic functions of the printer.
La notice d'instructions répond à la directive Européenne 2006/42/CE. Elle est traduite en plusieurs langues. Elle décrit les fonctions de base de l'imprimante.
- 3 The User manual describes the functions of the printer, technical specifications and preventive maintenance.
Le manuel décrit les fonctions de l'imprimante, les caractéristiques techniques ainsi que la maintenance préventive de l'imprimante.
- 4 The catalog includes all spare parts and accessories of the printer.
Le catalogue regroupe toutes les pièces détachées et accessoires de l'imprimante.
- 5 The Network interface manual describes the use of the serial, parallel and Ethernet interfaces of the printer.
Ce manuel décrit le fonctionnement du protocole de communication des liaisons séries, parallèle et Ethernet de l'imprimante.

TV03021

Item	Part number	Description
2	10060657	Polish - Instruction Manual - SL C150/C350
2	10060658	Slovenian - Instruction Manual - SL C150/C350
2	10060659	Czech - Instruction Manual - SL C150/C350
2	10060660	Greek - Instruction Manual - SL C150/C350
2	10060661	Turkish - Instruction Manual - SL C150/C350
2	10060662	Russian - Instruction Manual - SL C150/C350
2	10060663	Bulgarian - Instruction Manual - SL C150/C350
2	10060664	Arabic - Instruction Manual - SL C150/C350
2	10060665	Hebrew - Instruction Manual - SL C150/C350
2	10060666	Vietnamese - Instruction Manual - SL C150/C350
2	10060667	Taiwanese - Instruction Manual - SL C150/C350
2	10060668	Thai - Instruction Manual - SL C150/C350
2	10060669	Latvian - Instruction Manual - SL C150/C350
2	10060670	Lithuanian - Instruction Manual - SL C150/C350
2	10060671	Slovakian - Instruction Manual - SL C150/C350
2	10060672	Estonian - Instruction Manual - SL C150/C350 -

User Documentation

[To Translate : EN =]



User Documentation Center on www.markem-imaje.com



The articles preceded by this symbol are not saleable to customers but document available in pdf format. Contact your MI Reseller or your Partner.

Les articles précédés de ce code ne sont pas des articles vendables client mais sont des documents disponibles au format pdf. Contacter votre revendeur Markem-Imaje ou votre Distributeur.

- 1 The Safety and important information manual complies with European directive 2006/42/CE. It is translated into various languages. Document supplied in hard copy with the printer.
Le manuel «Sécurité et informations importantes» répond à la directive Européenne 2006/42/CE. Il est traduit en plusieurs langues. Ce document est fourni en papier avec l'imprimante.
- 2 The Instruction manual complies with European directive 2006/42/CE. It is translated into various languages. It describes the basic functions of the printer.
La notice d'instructions répond à la directive Européenne 2006/42/CE. Elle est traduite en plusieurs langues. Elle décrit les fonctions de base de l'imprimante.
- 3 The User manual describes the functions of the printer, technical specifications and preventive maintenance.
Le manuel décrit les fonctions de l'imprimante, les caractéristiques techniques ainsi que la maintenance préventive de l'imprimante.
- 4 The catalog includes all spare parts and accessories of the printer.
Le catalogue regroupe toutes les pièces détachées et accessoires de l'imprimante.
- 5 The Network interface manual describes the use of the serial, parallel and Ethernet interfaces of the printer.
Ce manuel décrit le fonctionnement du protocole de communication des liaisons séries, parallèle et Ethernet de l'imprimante.

TV03021

Item	Part number	Description
2	10060673	Romanian - Instruction Manual - SL C150/C350
2	10060674	Irish - Instruction Manual - SL C150/C350
2	10060675	Maltese - Instruction Manual - SL C150/C350
2	10060676	Indonesian - Instruction Manual - SL C150/C350
2	10060677	Croatian - Instruction Manual - SL C150/C350
3	10060678	French - User Manual - SL C150/C350
3	10060679	English - User Manual - SL C150/C350
3	10060680	Spanish - User Manual - SL C150/C350
3	10060681	German - User Manual - SL C150/C350
3	10060682	Italian - User Manual - SL C150/C350
3	10060684	Dutch - User Manual - SL C150/C350
3	10060685	Portuguese/Brazilian - User Manual - SL C150/C350
3	10060686	Chinese - User Manual - SL C150/C350
3	10060687	Japanese - User Manual - SL C150/C350
3	10060688	Korean - User Manual - SL C150/C350
3	10060690	Russian - User Manual - SL C150/C350

User Documentation

[To Translate : EN =]



User Documentation Center on www.markem-imaje.com



The articles preceded by this symbol are not saleable to customers but document available in pdf format. Contact your MI Reseller or your Partner.

Les articles précédés de ce code ne sont pas des articles vendables client mais sont des documents disponibles au format pdf. Contacter votre revendeur Markem-Imaje ou votre Distributeur.

- 1 The Safety and important information manual complies with European directive 2006/42/CE. It is translated into various languages. Document supplied in hard copy with the printer.
Le manuel «Sécurité et informations importantes» répond à la directive Européenne 2006/42/CE. Il est traduit en plusieurs langues. Ce document est fourni en papier avec l'imprimante.
- 2 The Instruction manual complies with European directive 2006/42/CE. It is translated into various languages. It describes the basic functions of the printer.
La notice d'instructions répond à la directive Européenne 2006/42/CE. Elle est traduite en plusieurs langues. Elle décrit les fonctions de base de l'imprimante.
- 3 The User manual describes the functions of the printer, technical specifications and preventive maintenance.
Le manuel décrit les fonctions de l'imprimante, les caractéristiques techniques ainsi que la maintenance préventive de l'imprimante.
- 4 The catalog includes all spare parts and accessories of the printer.
Le catalogue regroupe toutes les pièces détachées et accessoires de l'imprimante.
- 5 The Network interface manual describes the use of the serial, parallel and Ethernet interfaces of the printer.
Ce manuel décrit le fonctionnement du protocole de communication des liaisons séries, parallèle et Ethernet de l'imprimante.

TV03021

Item	Part number	Description
3	10060689	Swedish - User Manual - SL C150/C350
5	10068347	English - Network Interface Manual - SL C150/C350 - SL C140/C340
6	10071760	22 languages - User Manual addendum - Laser Solution for Conveyor - SL
7	10060692	All languages - DVD-Rom User Documentation - SL C150/C350