

Catalog accessories - spare parts


Large char. high res. piezo

5800



150 Congress Street
Keene, NH 03431
United States of America
Tel + 800 258 5356
Fax +1 603 357 1835

Inkjet Partner

Service am Punkt 

Inkjet-Partner Handelsgesellschaft mbH
Aumühlweg 17-19, Halle 12D
2544 Leobersdorf



markem·imaje

a  company

■ Consignes de sécurité



AVERTISSEMENT : avant d'utiliser l'imprimante, veuillez lire attentivement les informations concernant la sécurité et l'installation présentes dans la notice d'instructions et le document "Sécurité et informations importantes", ainsi que la fiche de sécurité (FDS) pour les consommables utilisés.

■ Recyclage



Elimination des piles et accumulateurs usagés (applicable dans les pays de l'union européenne et aux autres pays européens disposant de systèmes de collecte sélective).



Elimination des appareils électriques et électroniques usagés (applicable dans les pays de l'union européenne et aux autres pays européens disposant de systèmes de collecte sélective).

Ces symboles indiquent que l'appareil électrique et électronique en fin de vie ainsi que les piles et accumulateurs qui le constituent, ne doivent pas être traités comme de simples déchets ménagers. En vous assurant que ces éléments sont mis au rebut de façon appropriée, vous participez activement à la prévention des conséquences négatives que leur mauvais traitement pourrait provoquer sur l'environnement et sur la santé humaine. Le recyclage des matériaux contribue à la préservation des ressources naturelles. En confiant votre appareil électrique en fin de vie à une société dûment habilitée, vous vous assurez que tous les éléments incorporés seront traités correctement.

Pour tous les autres cas de figure et afin d'enlever les piles, les accumulateurs ou autres matériaux en toute sécurité de votre appareil, reportez-vous au manuel d'utilisation ou contacter votre représentant Markem-Imaje.

	Eléments recyclés	Filières
1	Pupitre en acier inox.	Matériau recyclable à 100 % auprès de toutes filières métallurgiques.
2	Cartouches des consommables et circuits d'encre.	Cet ensemble est constitué de matériaux plastiques, métalliques, composites imprégnés ou contenant de l'encre. Filière recommandée : - revalorisation énergétique
3	Ombilic et tête d'impression.	- revalorisation énergétique, - récupération de matériau électrique, - récupération de métaux. ATTENTION : Présence d'une carte électronique (Cf. 4).
4	Cartes électroniques, écran et câbles électriques.	Filière recommandée : - récupération et traitement des déchets électroniques (ordinateur, télévision...)

■ Safety Instructions



WARNING: before using the printer, please carefully read the information concerning safety and installation in the instruction manual and the manual "Safety and important information and the Safety Data Sheet (SDS) for the consumables used.

■ Recycling



Disposal of used batteries and rechargeable batteries (applicable in European Union countries and other European countries with selective waste collection systems).



Disposal of used electrical and electronic equipment (applicable in European Union countries and other European countries with selective waste collection systems).

These symbols indicate that the electrical and electronic device, and the batteries and rechargeable batteries therein, must not be disposed of at the end of its life as ordinary municipal solid waste. By ensuring that these items are disposed of appropriately, you play an active role in avoiding the harmful consequences that incorrect disposal could have on the environment and human health. The recycling of materials contributes to the preservation of natural resources.

By entrusting your end-of-life electrical devices to a duly authorized disposal company, you ensure that all the items therein will be handled correctly.

In all other cases and in order to safely remove batteries, rechargeable batteries and other materials, see the user manual or contact your Markem-Imaje representative.

	Recycled parts	Method
1	Stainless steel cabinet.	Material 100% recyclable using any metal processing method.
2	Containers for consumables and ink circuits.	These items consist of plastic, metal and composite materials which are impregnated with or contain ink. Recommended method: - energy recovery.
3	Umbilical and printhead.	- energy recovery, - recovery of electrical material, - recovery of metals. CAUTION : Electronic circuit board present (see 4).
4	Electronic circuit boards, screen and electrical wiring.	Recommended method: - Recovery and treatment of electronic waste (computers, televisions, etc.).

GEN-FREN-CIJ

■ Programme d'échange standard

Les pièces de remplacement sont disponibles à l'occasion du "programme échange standard Markem-Imaje". Il s'agit de pièces re-conditionnées : les composants usés ou endommagés ont été remplacés. Ces pièces sont identifiées dans le catalogue client par une référence spécifique commençant par ENR.

	Référence
Pièce neuve	ENMXXXXX
Pièce de remplacement	ENRXXXXX

Les pièces de remplacement sont disponibles dans les conditions suivantes:

- une pièce reconditionnée contient des composants recyclés,
- la pièce d'origine défectueuse doit être renvoyée à Markem-Imaje. Elle devient la propriété de Markem-Imaje,
- la pièce d'origine défectueuse n'a pas été modifiée, détériorée et aucun composant n'a été enlevé,
- l'utilisation de la pièce d'origine défectueuse et les instructions de maintenance ont été respectées,
- les procédures de nettoyage et de vidange de la pièce d'origine défectueuse ont été respectées.

■ Comment commander ?

Les commandes peuvent être passées par mail, fax ou téléphone. Dans ce dernier cas une confirmation écrite est nécessaire.

Pour les commandes de pièces ou accessoires, contacter votre représentant Markem-Imaje.

Les précisions suivantes doivent apparaître sur les commandes de pièces détachées:

Référence Markem-Imaje de la pièce, désignation, quantité désirée, date de livraison demandée, instructions d'expédition, numéro de commande.

■ Code observation



Les articles précédés de ce code ne sont pas des articles vendables client. Contacter votre revendeur Markem-Imaje ou votre Distributeur.



Les articles précédés de ce code ne sont pas des articles vendables client mais sont des documents disponibles au format pdf. Contacter votre revendeur Markem-Imaje ou votre Distributeur.

Pour matériel de marquage et de codage. Les photographies et illustrations ne sont pas contractuelles. Notice originale. L'original de ce document a été rédigé en français. Seul le texte français de ce document est authentique et fait foi en cas de conflit. Markem-Imaje se réserve le droit de modifier les spécificités de son produit sans préavis. Toute reproduction, même partielle, de ce document est interdite.

© 2021 Markem-Imaje Tous droits réservés. Version française

■ Part Exchange Program

Replacement parts are available under the Markem-Imaje Part Exchange Program. These are reconditioned parts, all worn or damaged components have been replaced. These parts are identified in the catalog by a specific reference prefix ENR, e.g.:

	Part number
New Part	ENMXXXXX
Replacement Part	ENRXXXXX

Replacement parts are available under the following conditions:

- a reconditioned part contains recycled components,
- the defective original part must be returned to Markem-Imaje and it becomes the property of Markem-Imaje,
- the defective original part has not been modified or damaged and no component has been removed,
- proper use has been made of the defective original part and the maintenance instructions have been complied with,
- cleaning and draining procedures for the defective original part have been followed.

■ How to order?

Order may be sent by mail, fax or telephone. Written confirmation is required in the case of telephone orders.

To order parts, contact the markem-Imaje representative.

The following information should be shown on orders for replacement parts or accessories:

Markem-Imaje part reference number, description, quantity required, required delivery date, delivery instructions, purchase order number.

■ Observation code



The articles preceded by this symbol are not saleable to customers. Contact your MI Reseller or your Partner.



The articles preceded by this symbol are not saleable to customers but document available in pdf format. Contact your MI Reseller or your Partner.

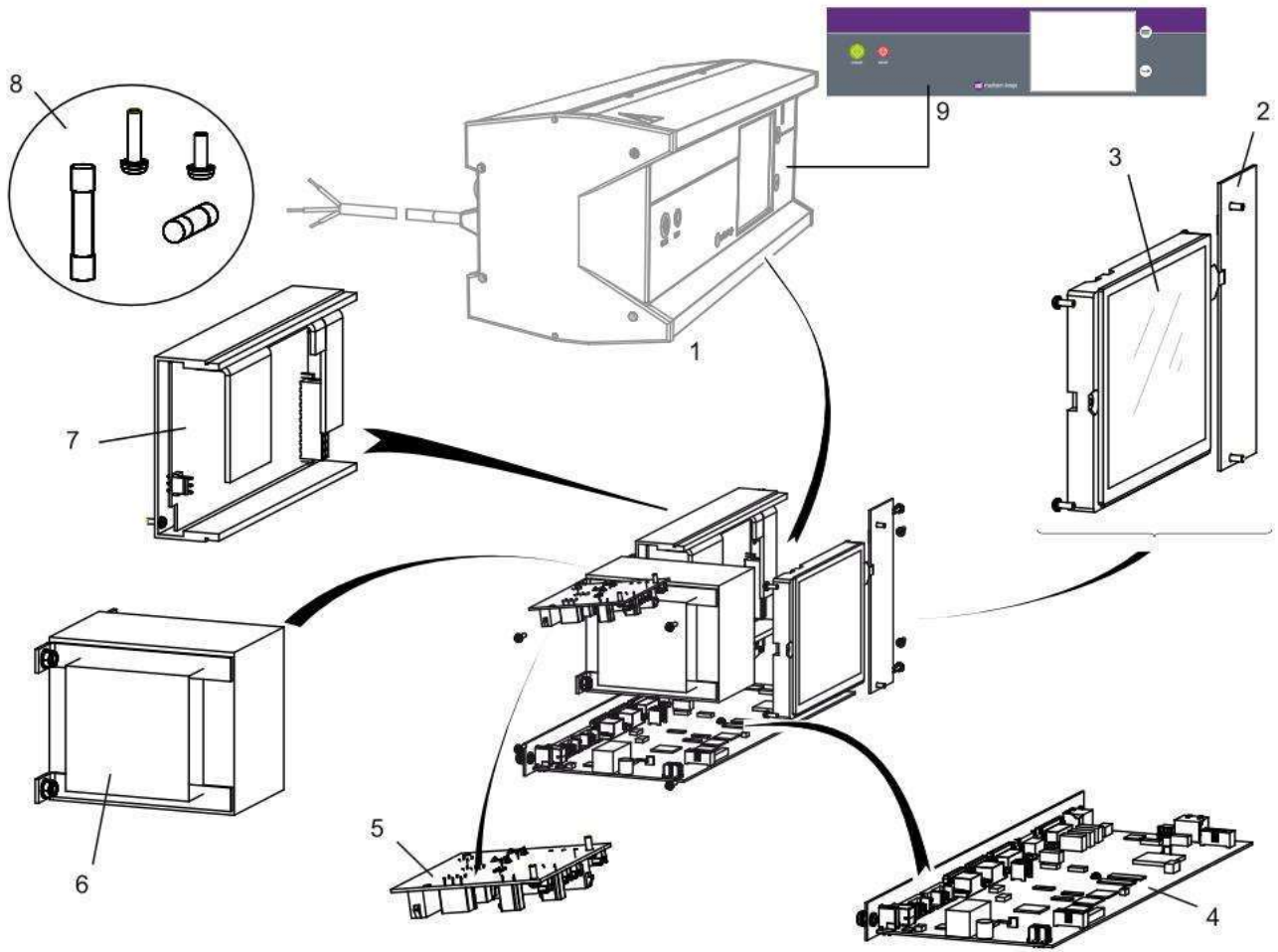
For Marking & Coding Equipment. Photographs and drawings are not binding in detail. This document was originally written in French. The French text of this document shall alone be authentic and shall prevail in the event of a dispute. Markem-Imaje reserves the right to modify the specifications of its products without prior notice. Any reproduction, even partial, of this document is prohibited. Translation of the original manual: the original manual (in French) is available on the User Documentation center on www.markem-imaje.com.

© 2021 Markem-Imaje All Rights Reserved. English version

GEN-FREN-CIJZ

Controller

Controller

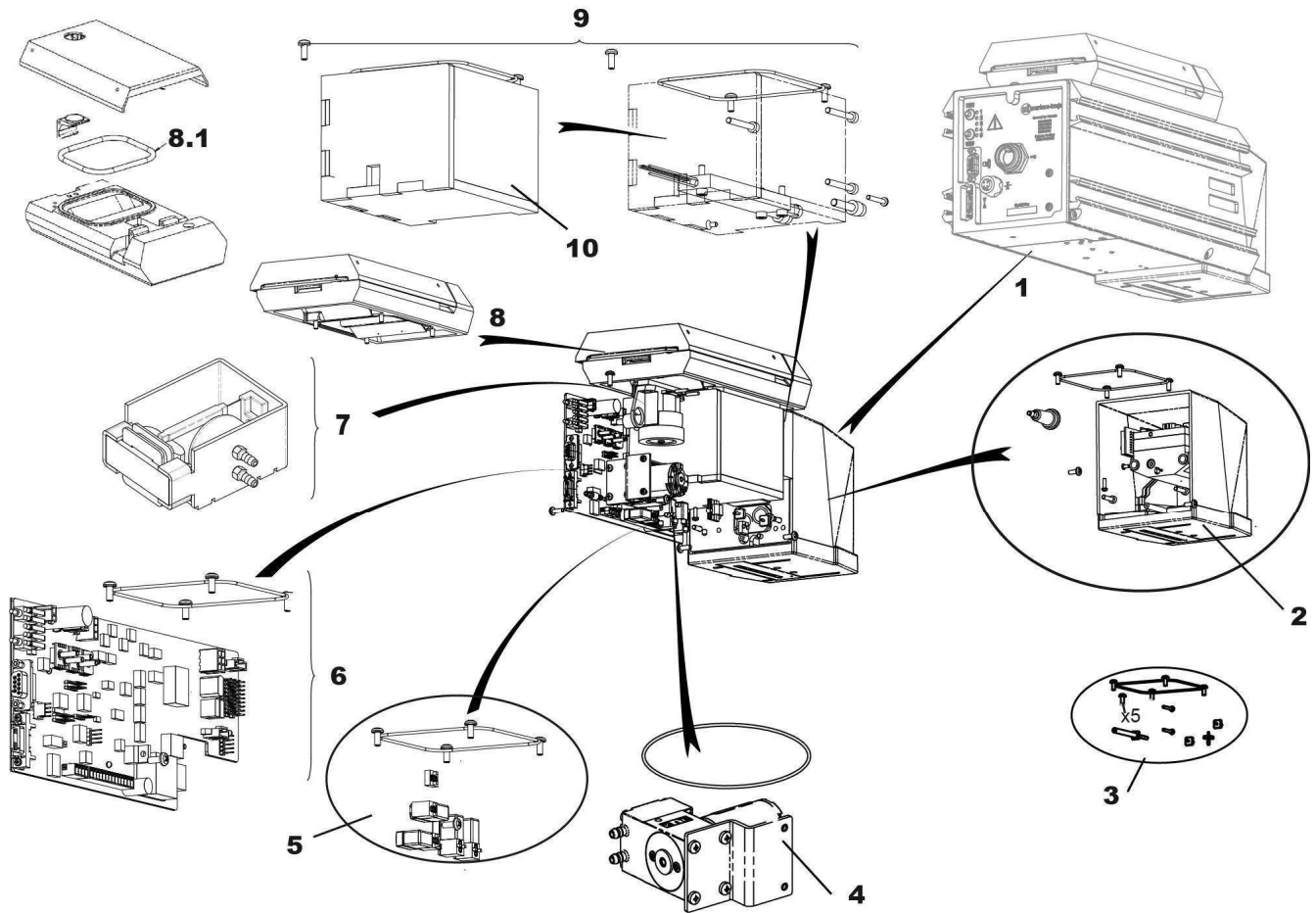


TV08001

Item	Part number	Description
1	ENM10029434	LCIJ - 5800 - CONTROLLER
2	10051378	LCIJ - 5800 - CIRCUIT BOARD KIT-LCD I/O
3	10042242	Touch Screen Display Kit - LCD
4	10051379	Circuit Board Kit - Control Board
5	10051380	LCIJ - 5800 - CIRCUIT BOARD KIT-POWER DISTRIBUTION
6	10051384	LCIJ - 5800 - TRANSFORMER KIT-400VCT@16.7A
7	10051385	LCIJ - 5800 - POWER SUPPLY KIT-24 VDC/225W
8	10051789	Fuse Kit
9	10061108	5600/5800 Keypad Overlay Replacement Kit
10	0686524	Power input module Not Shown

Printhead

5800 Printhead Down Jet

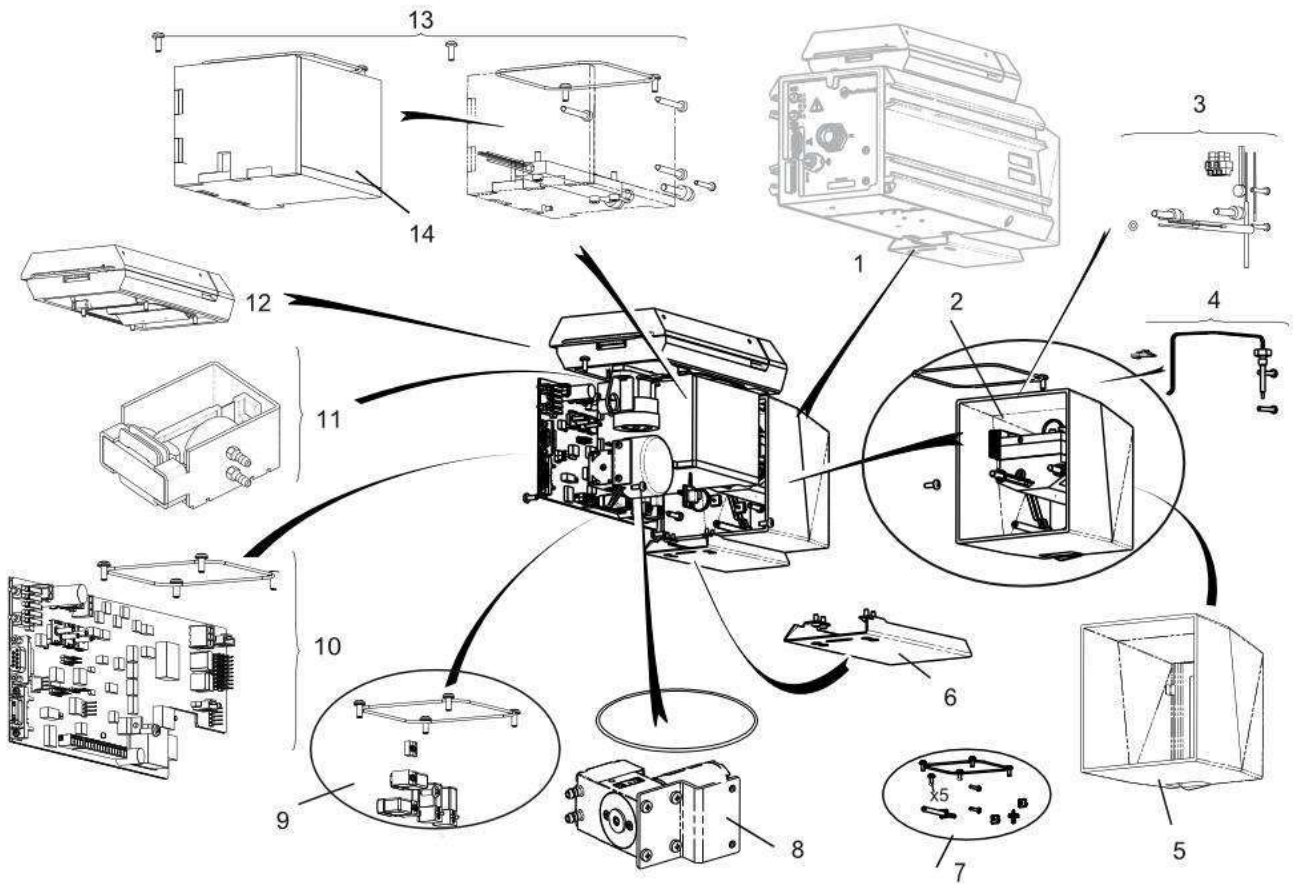


TV08004

Item	Part number	Description
1	ENM10054116	LCIJ - 5800 - 5800 SPARE PH DOWN JET
1	ENR10054116	Advanced exchange refurbish program - Down jetting Complete PH w/o cables or product sensor
1	ENR10054121	Refurbished print engine kit - Down jetting
2	10054121	LCIJ - 5800 - 5800 DOWN JET. PRINT. ENGINE KIT
3	10042238	Tubing Kit (silicone)
4	10051373	LCIJ - 5800 - PUMP. KIT - HIGH VACUUM
5	10051374	Solenoid Valve Kit
6	10042232	Circuit Board Kit - Printhead
7	10051072	Pump Kit - Low Vacuum
8	10042243	Door Kit
8.1	10096504	LCIJ - 5800 - O-RING PACK OF 4
9	10051377	Heater - Therm Harness Kit - Supply Res
10	10051381	LCIJ - 5800 - INSULATOR KIT. -SUPPLY RES

Printhead

5800 Printhead Vertical Jet

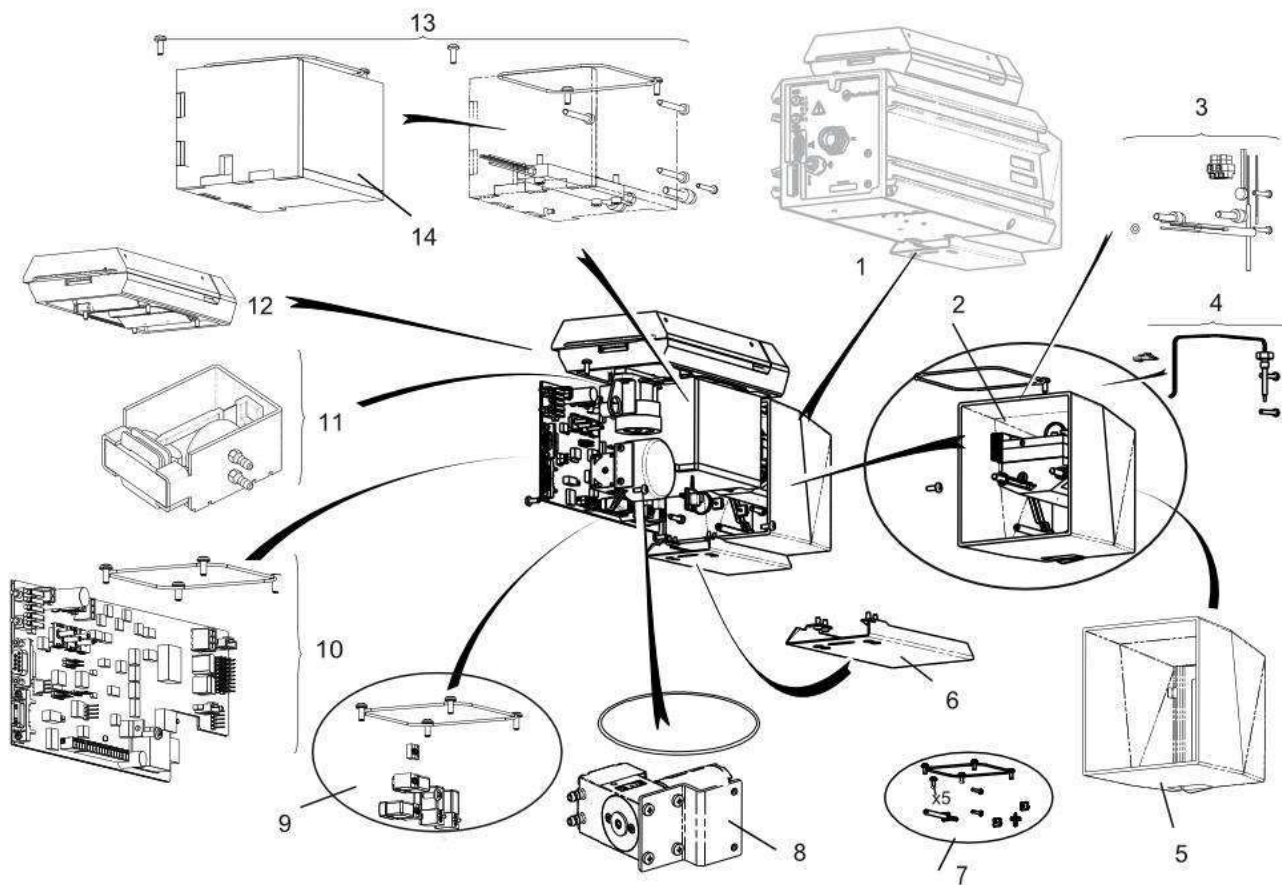


TV08005

Item	Part number	Description
1	ENM10029435	Spare 5800 Printhead Vertical Jet
1	ENR10029435	Advanced exchange refurbish program - Vertical jetting Complete PH w/o cables or product sensor
2	ENR10042234	Refurbished print engine kit - Vertical jetting
2	10042234	LCIJ - 5800 - 5800 VERTICAL PRINT ENGINE KIT
3	10051375	5800 Heater - Therm Harness Kit - Print Engine
4	10051376	5800 Harness Kit - Ink Level Sensor
5	10042235	Vertical Jet Cover Kit - Print Engine
6	10042236	LCIJ - 5800 - BRACKET KIT - INK TRAY
7	10042238	Tubing Kit (silicone)
8	10051373	LCIJ - 5800 - PUMP KIT - HIGH VACUUM
9	10051374	Solenoid Valve Kit
10	10042232	Circuit Board Kit - Printhead
11	10051072	Pump Kit - Low Vacuum
12	10042243	Door Kit
13	10051377	Heater - Therm Harness Kit - Supply. Res

Printhead

5800 Printhead Vertical Jet

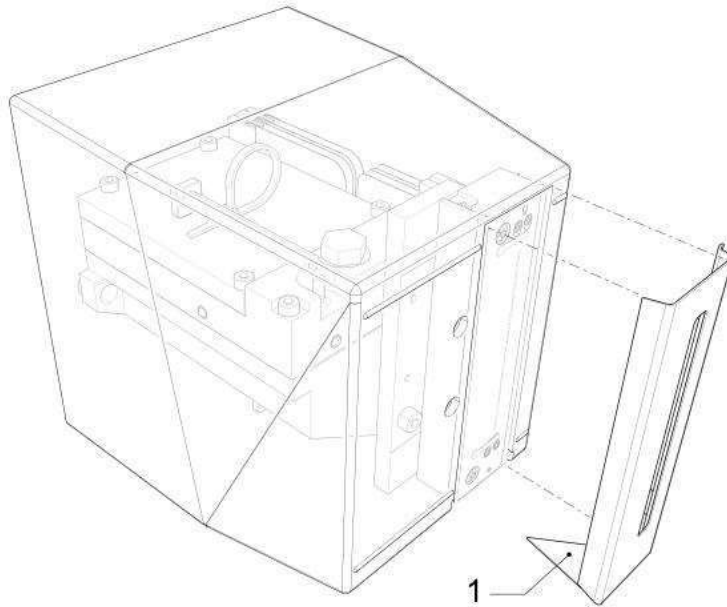


TV08005

Item	Part number	Description
14	10051381	LCIJ - 5800 - INSULATOR KIT. -SUPPLY RES

Printhead

5800 Extended shield jetting

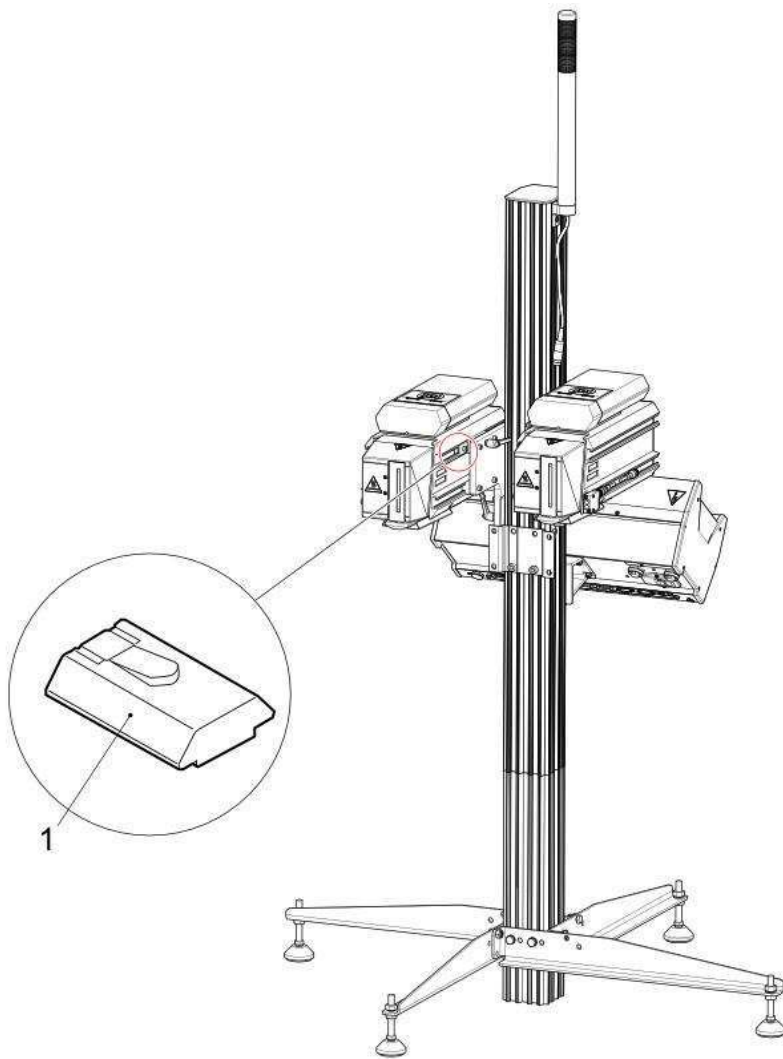


TV08085

Item	Part number	Description
1	10098249	Extended shield jetting, PACK of 4

Printhead

5800 Printhead - Fixing

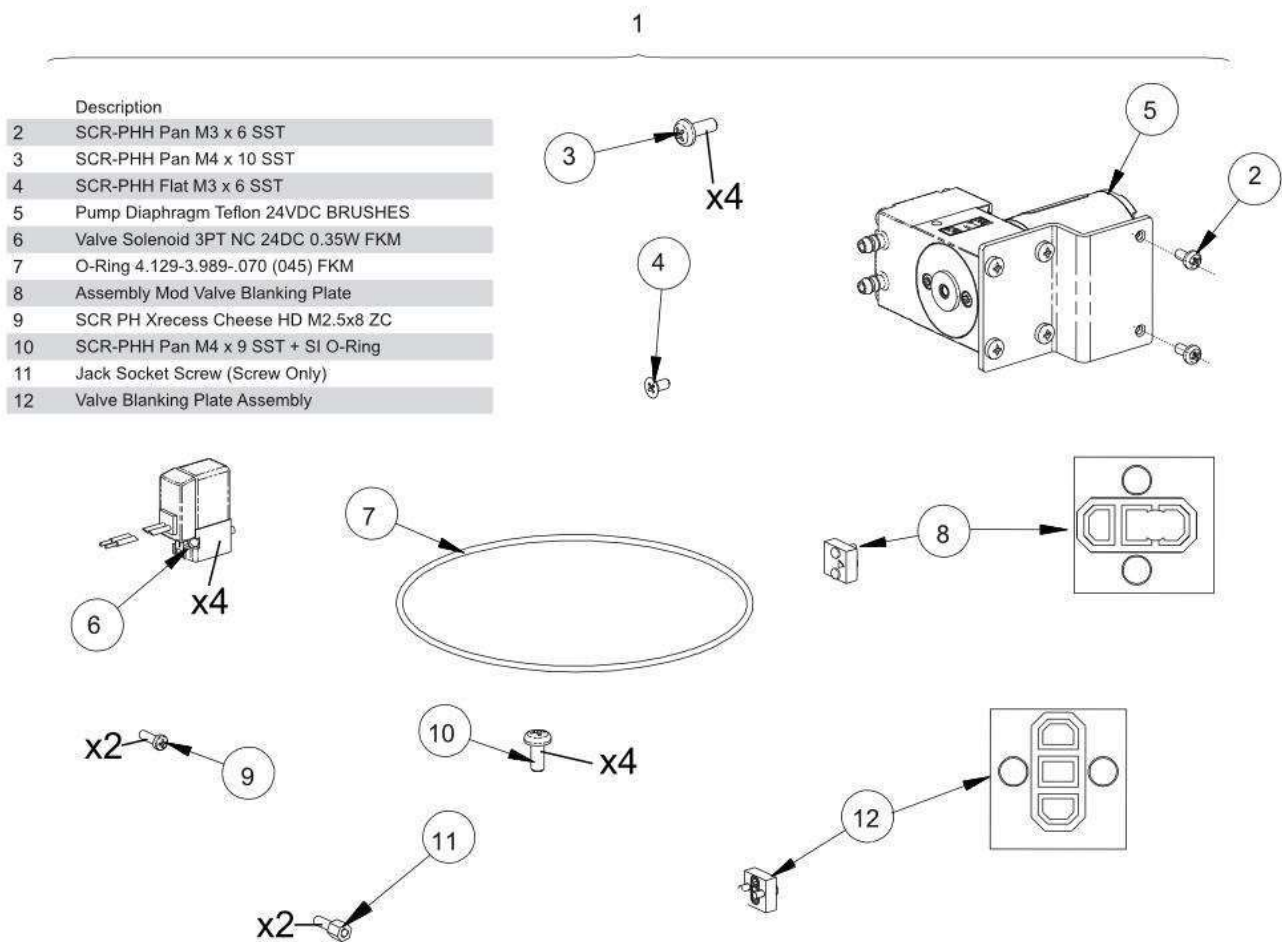


TV08081

Item	Part number	Description
1	10082817	LCIJ - 5800 - T-NUT. M6 PACK OF 10 This item is used on the printhead and on the stand.

Spare Parts Kits

5800 Predictive Maintenance Kit



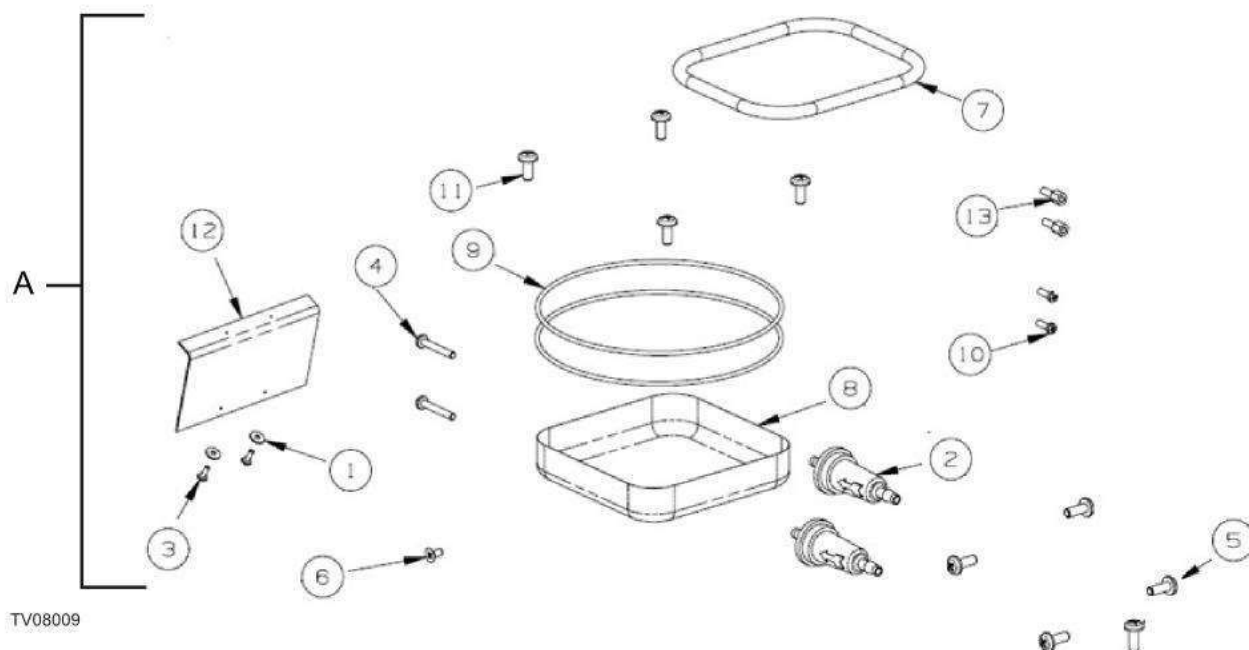
TV08008

Item	Part number	Description
1	10051807	5800 Predictive Maintenance Kit

Spare Parts Kits

5800 Preventive Maintenance Kit

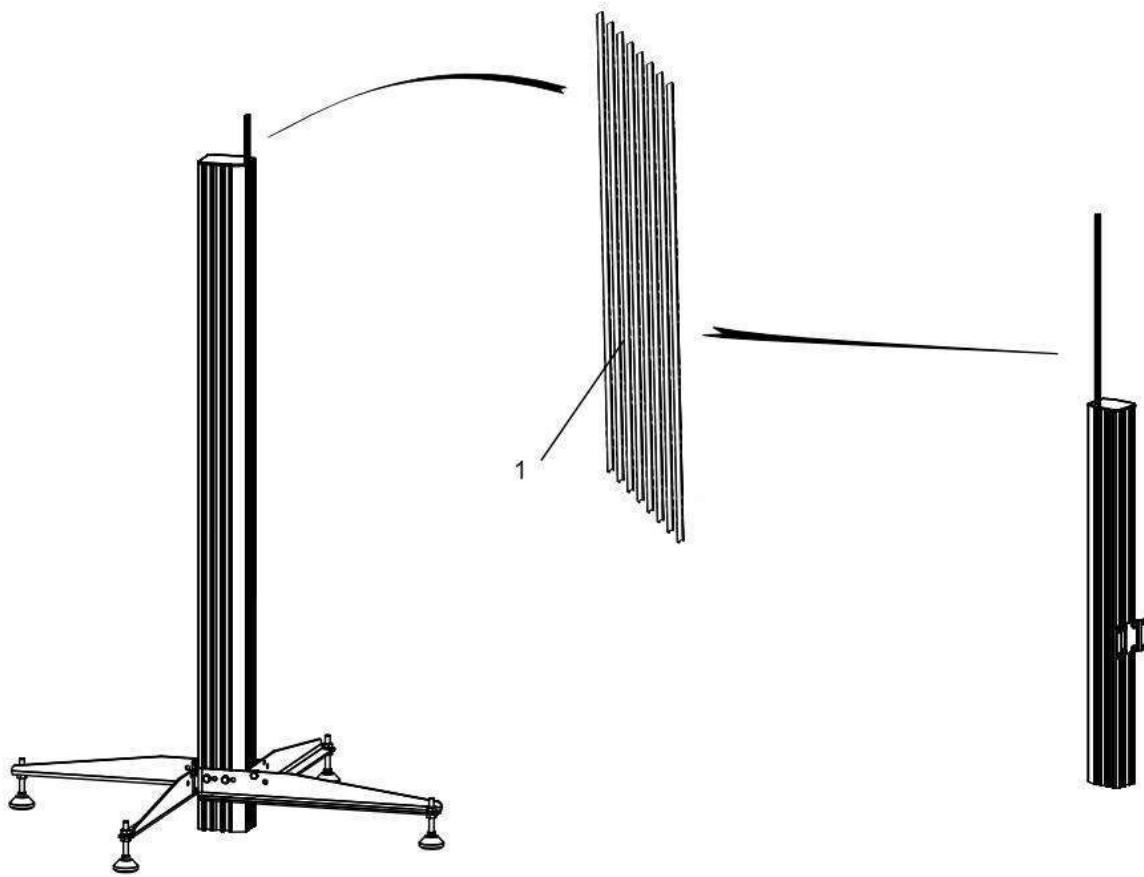
Item #	Qt	Description	Item #	Qt	Description
1	2	Washer, Flat 3/32 x 1/4 x .025	8	1	Screen Supply Basket
2	2	Filter inline 1/8 Barb 10 micron	9	2	O-ring 4.129 – 3.989 .070 FKM
3	2	SCR-PHH PAN M2 x 6 SST	10	2	SCR PH Cheese HD M2.5x5 ZC
4	2	SCR-PHH PAN M3 x 20 SST	11	4	SCR-PHH PAN M4 x 9 SST - o-ring
5	5	SCR-PHH PAN M4 x 10 SST	12	1	Rubber Baffle
6	1	SCR-PHH Flat M3 x 6 SST	13	2	Jack Socket Screw (Screw Only)
7	1	O-ring Hollow MM5.33 OD x 2.97.38 LG			



Item	Part number	Description
A	10042231	5800 Scheduled Maintenance Kit

Spare Parts Kits

T-Slot Cover Kit

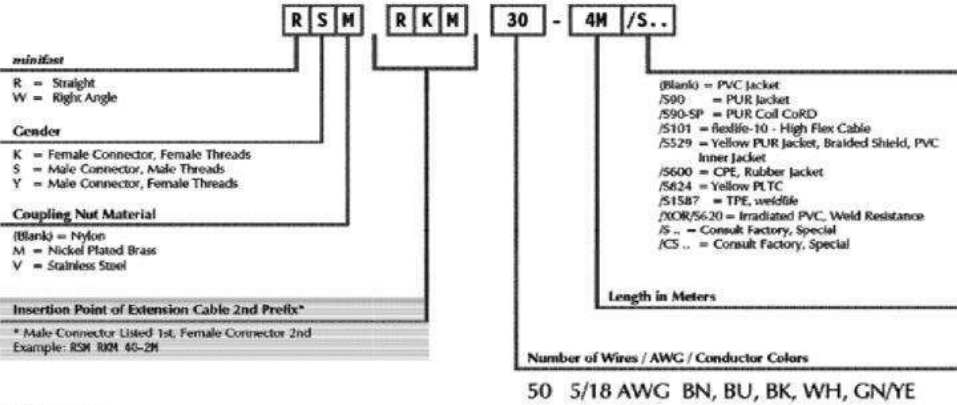
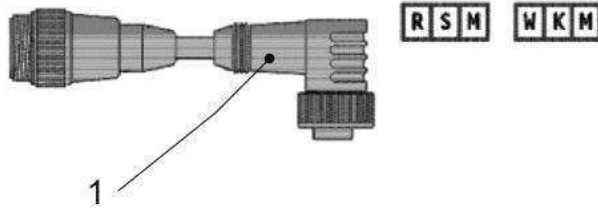


TV08010

Item	Part number	Description
1	10052017	LCIJ - 5800 - T - SLOT COVER KIT

Spare Parts Kits

Printhead Power Cable



Pinouts

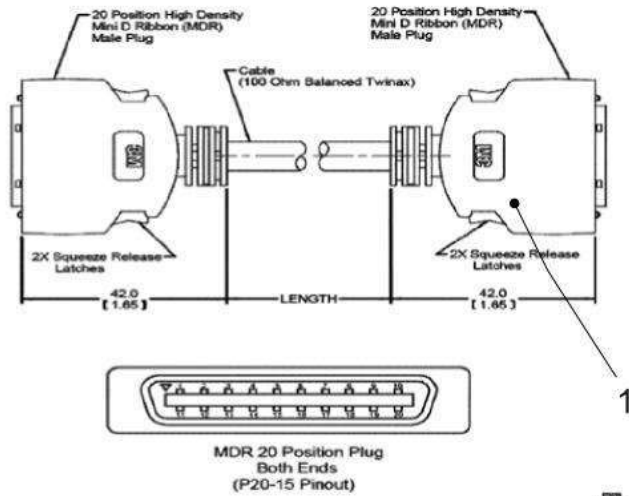


TV08011

Item	Part number	Description
1	10063569	LCIJ - 5800 - CABLE POWER 1. METER PVC 18/5 300V 9A
1	10063570	2m Length - Printhead Power Cable
1	ENM10039072	5m Length - Printhead Power Cable 5 meters is the default cable length in configurator
1	10053604	10m Length - Printhead Power Cable

Spare Parts Kits

Printhead Communications Cable



Tolerance Unless Noted	
	mm (inch)
D.D.	0.006
mm	±.1 ±.10

1 | Dimensions for Reference only

	MDR 1	MDR 2
PAIR 1	PIN 1	PIN 1
	PIN 11	PIN 11
PAIR 2	PIN 2	PIN 2
	PIN 12	PIN 12
PAIR 3	PIN 3	PIN 3
	PIN 13	PIN 13
PAIR 4	PIN 4	PIN 4
	PIN 14	PIN 14
PAIR 5	PIN 5	PIN 5
	PIN 15	PIN 15
PAIR 6	PIN 6	PIN 6
	PIN 16	PIN 16
PAIR 7	PIN 7	PIN 7
	PIN 17	PIN 17
PAIR 8	PIN 8	PIN 8
	PIN 18	PIN 18
PAIR 9	PIN 9	PIN 9
	PIN 19	PIN 19
PAIR 10	PIN 10	PIN 10
	PIN 20	PIN 20

Physical

Connector Contact Plating
 Wiping Arr: 30 μ" [0.76μm] Min. Gold
Shell
 Color: Beige
 Material: Acrylonitrile Butadiene Styrene
 Cable Color: Beige
 Jacket Material: Polyvinyl Chloride (PVC)
 Flammability: AWM(VW-1)

Electrical

Voltage Rating: 30 V
 Current Rating: 1 A
 Insulation Resistance: $> 1 \times 10^9 \Omega$ at 100 VDC
 Withstanding Voltage: 350 Vrms for 1 minute
Individually Shielded Twisted Pairs
 Characteristic Impedance: 100 ±10Ω
 Conductor Size: 28 AWG Stranded
 Propagation Velocity: 1.25 ns/ft [4.1 m/ns]

Environmental

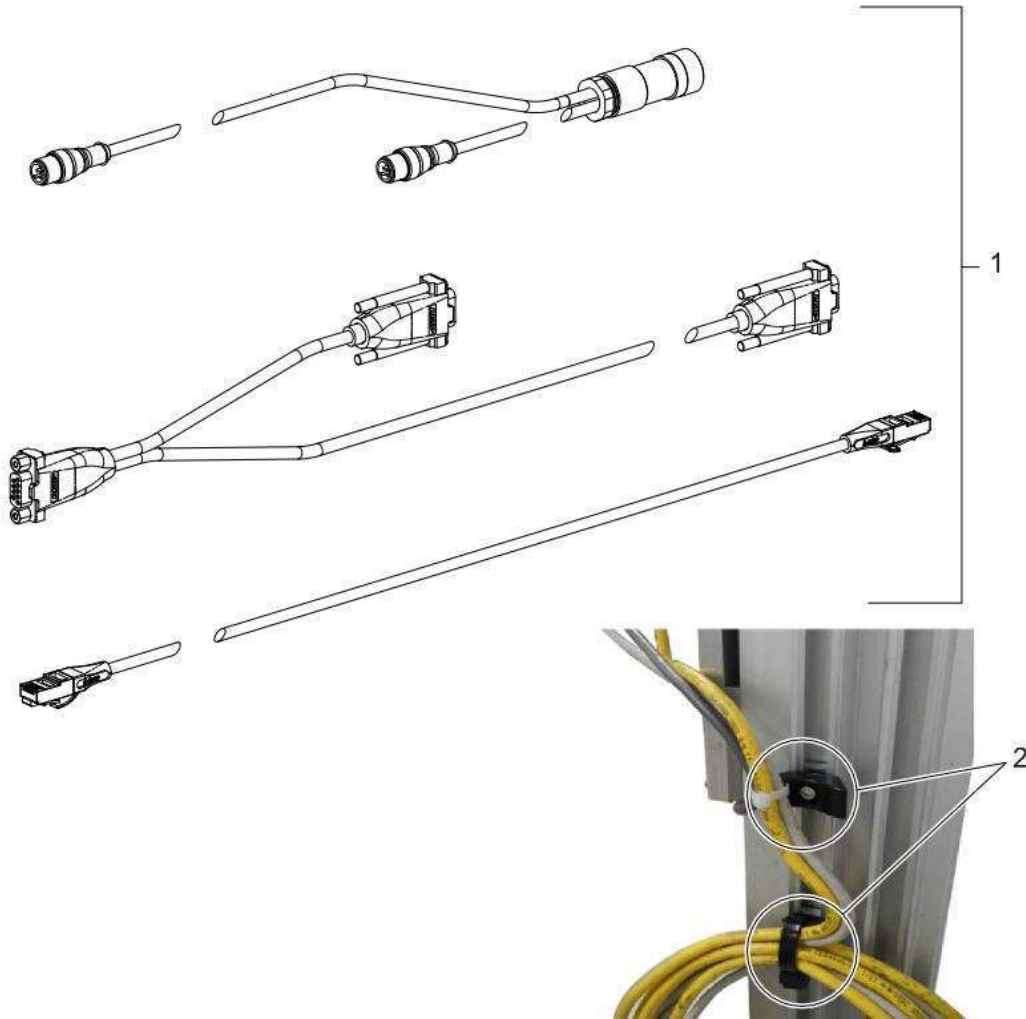
Temperature Rating: -20°C to +77°C

TV08012

Item	Part number	Description
1	10063571	LCIJ - 5800 - CABLE LVDS 1 METER MDR 20 POS 30V 1A
1	10063572	LC_Piezo_Solid_5000_common -CABLE LVDS 2 METER MDR 20 POS 30V 1A
1	ENM10039078	5m Length - Printhead Communications Cable 5 meters is the default cable length in configurator
1	10053603	LCIJ - 5800 - CABLE LVDS 10 METER MDR 20 POS 30V 1A

Spare Parts Kits

Parent Child Kit



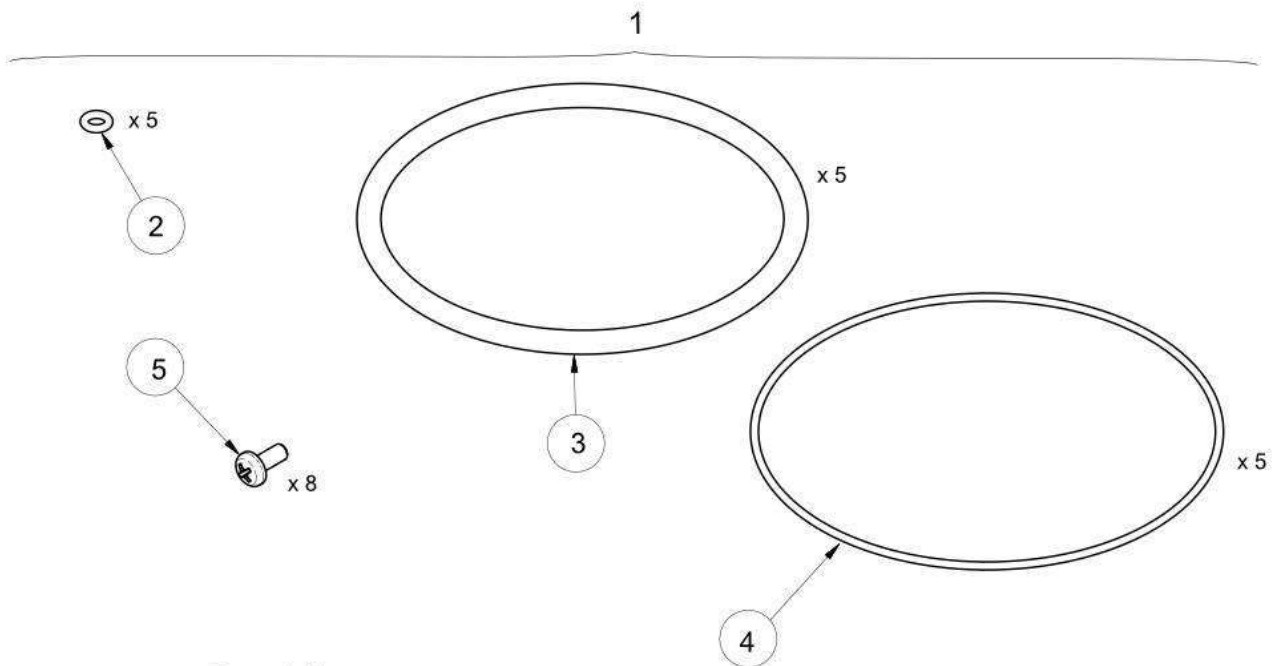
TV08013

Item	Part number	Description
1	10054798	LCIJ - 5800 - KIT. PARENT CHILD
2	10064108	LCIJ - 5800 - CABLE TIE DOWN KIT

Each kit includes: 4 anchors with hardware, 2 large tie-wraps, 4 mid-sized tie-wraps.

Spare Parts Kits

5800 O-Ring Kit



Description

2	O-Ring .285- .145- .070 Viton
3	O-Ring Hollow MM5.33 00 x 297.38 LG
4	O-Ring 4.129- 3.989- .070 (045) FKM
5	SCR-PHH Pan M4 x 9 SST + SI O-Ring

TV08015

Item	Part number	Description
1	10059843	5800 O-Ring Kit

Tools - Security accessories

LOTO kit - Lockout/Tagout-System



1



TV01120

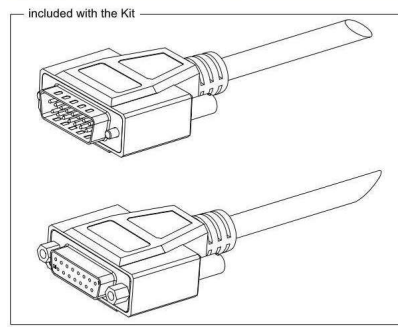
Item	Part number	Description
1	A51580	LOTO kit - Lockout/Tagout Included: Electrical Plug Lockout, Pneumatic valve Lockout, Safety padlocks, Valve with 2 fittings, adhesive labels kit, user manual A51859

Accessories

5800 OEU - Optional Expansion Unit



1

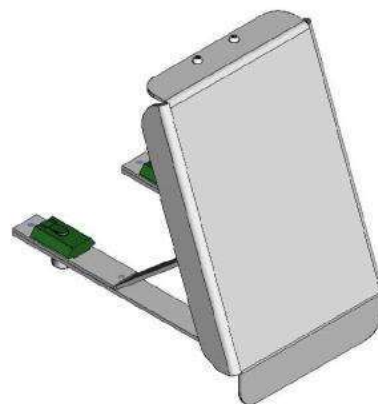
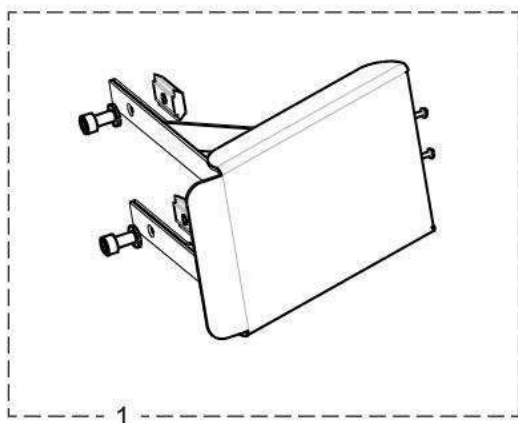


TV08076

Item	Part number	Description
1	10051732	LCIJ - 5800 - OPTIONAL EXPANSION UNIT Expands systems I/O capability - 11 Inputs / 8 Outputs / Configurable source/sink inputs - The Kit includes:.. 1. Serial cable, DB15F to DB15M, 2.5 feet long.

Accessories

5800 Bidirectional guide

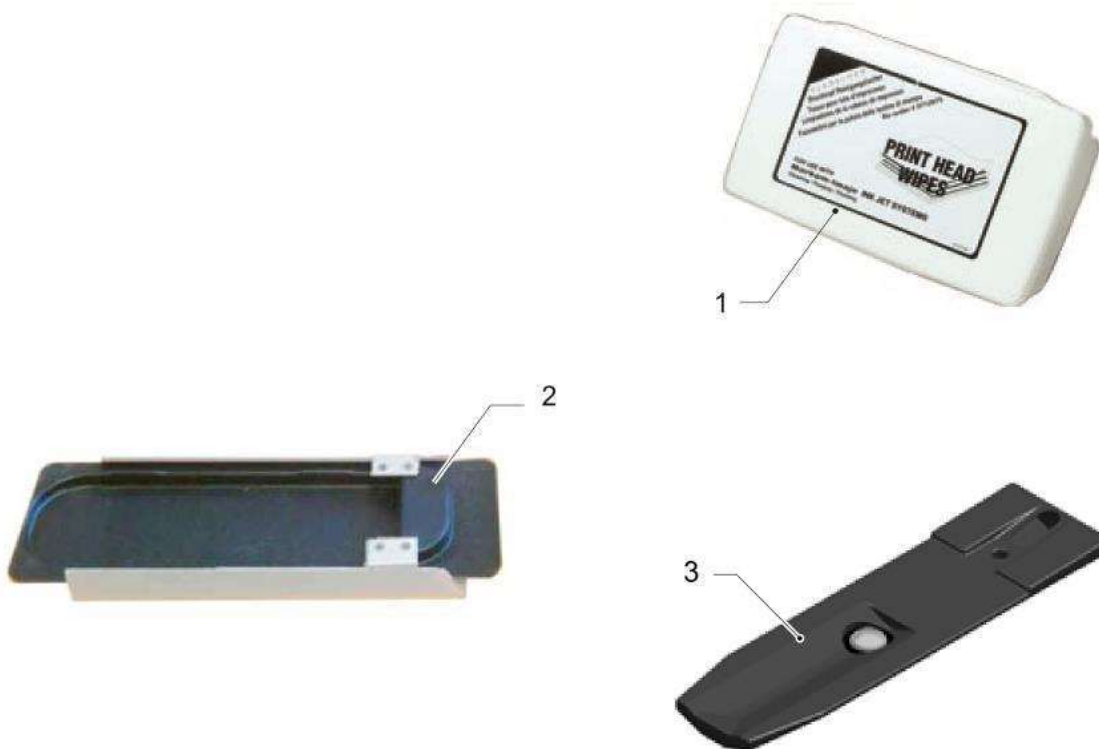


TV08072

Item	Part number	Description
1	10094412	LCIJ - 5800 - SHIELD/GUIDE ASSEMBLY Protects printhead from cartons moving past the printhead in either direction

Accessories

Standard drip trays and wipes

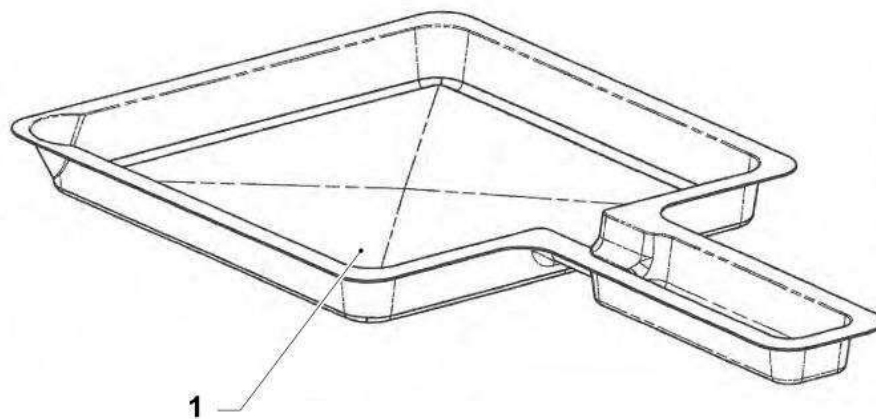


TV08073

Item	Part number	Description
1	0712075	Lint Free Printhead Wipes, dry (4 boxes of 75)
2	1280149	5800 Ink Drip Tray disposable inserts (box of 50)
3	10049951	5600 Ink Recovery Tray (box of 5)

Accessories

5600/5800 - Handheld Ink Tray for Down Jet Printhead



TV08077

Item	Part number	Description
1	10054694	5600/5800 Handheld Ink Tray for Down Jet Printhead (box of 5)

Accessories

5800 - Ink Block Holder

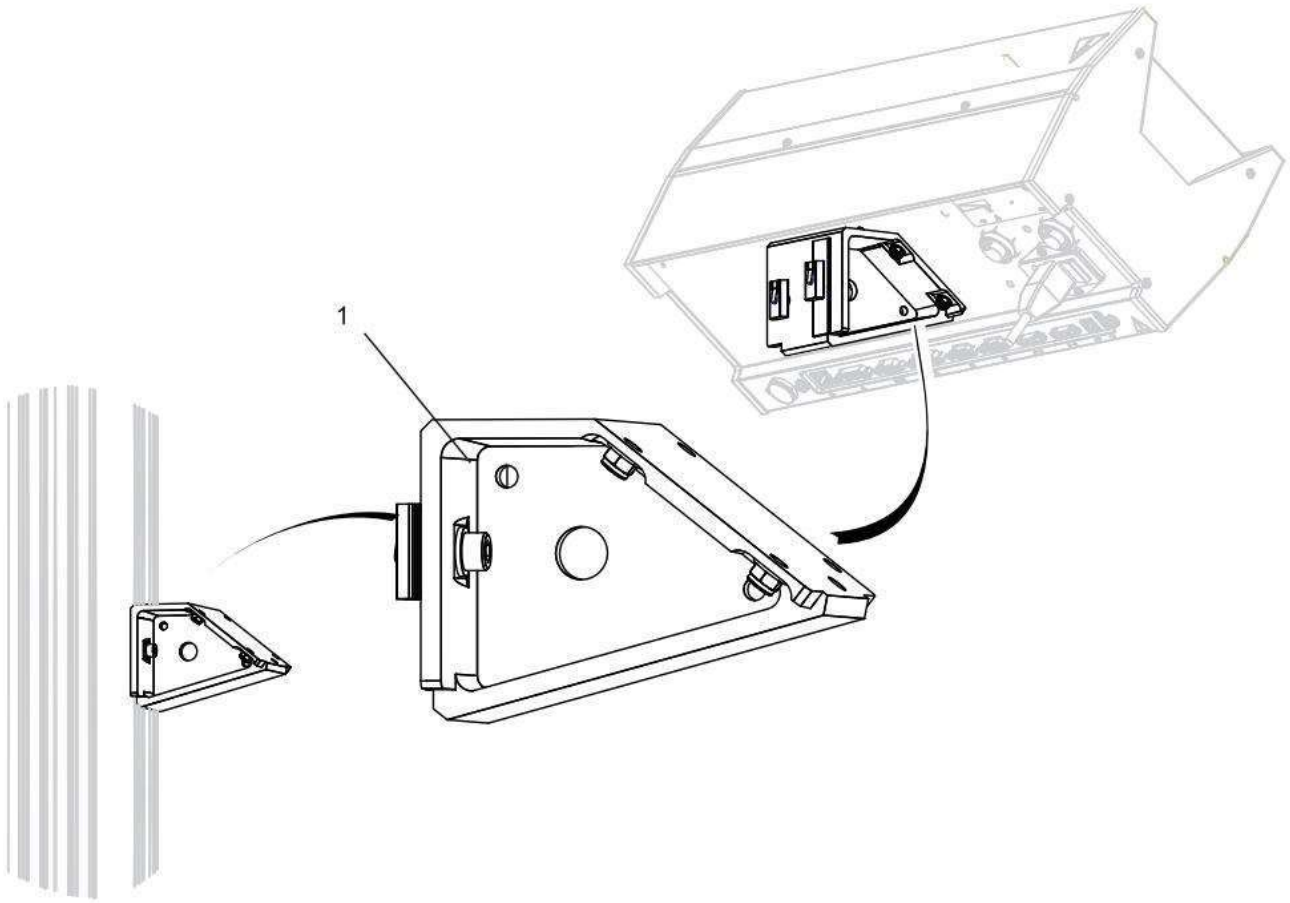


TV08075

Item	Part number	Description
1	10062385	5800 - Ink Block Holder Convenient storage of pucks on the production line

Accessories

Controller Mount Bracket Assembly

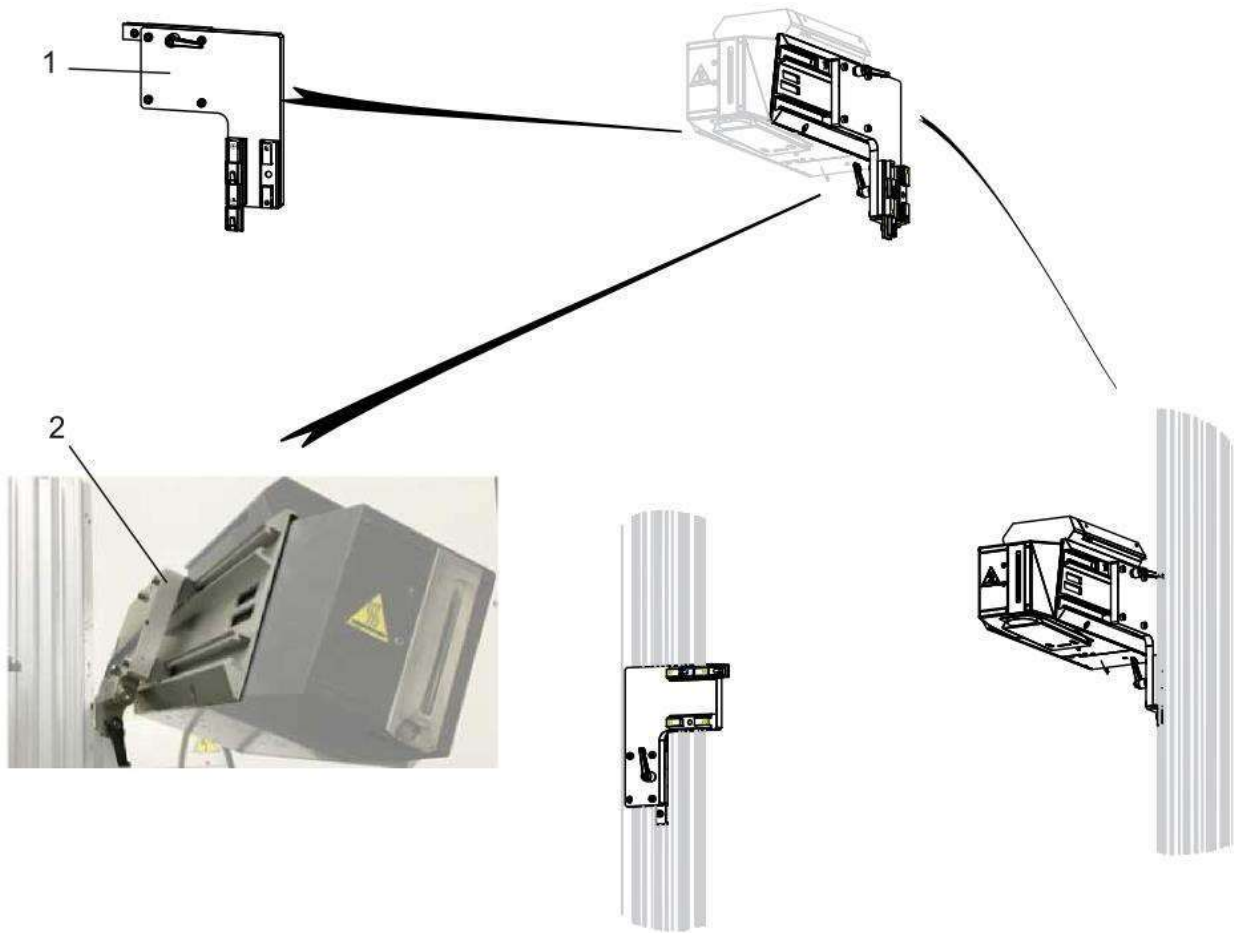


TV08017

Item	Part number	Description
1	10035782	Controller Mount Bracket Assembly

Accessories

Printhead Mount Brackets Assemblies

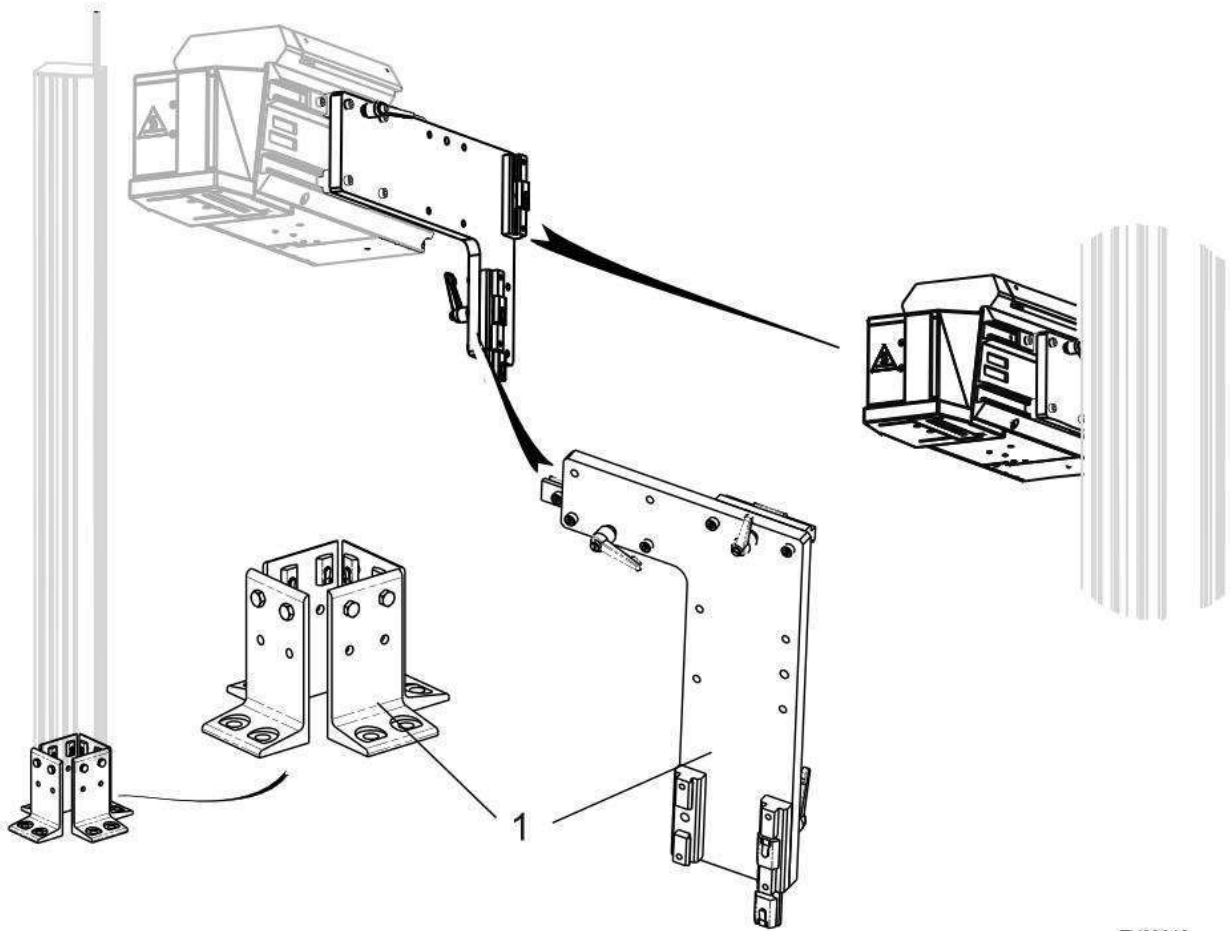


TV08018

Item	Part number	Description
1	10051211	Printhead Mount Bracket Assembly
2	10051355	LCIJ - 5800 - ANGLED PH MOUNT BRACKET ASSEMBLY The 5800 can slant at up to 20 degrees to accommodate conveyor orientation
3	10058570	LCIJ - 5800 - ANGLED PH MOUNT FOR SLIDE ASSY

Accessories

Extended Printhead Mount Assembly

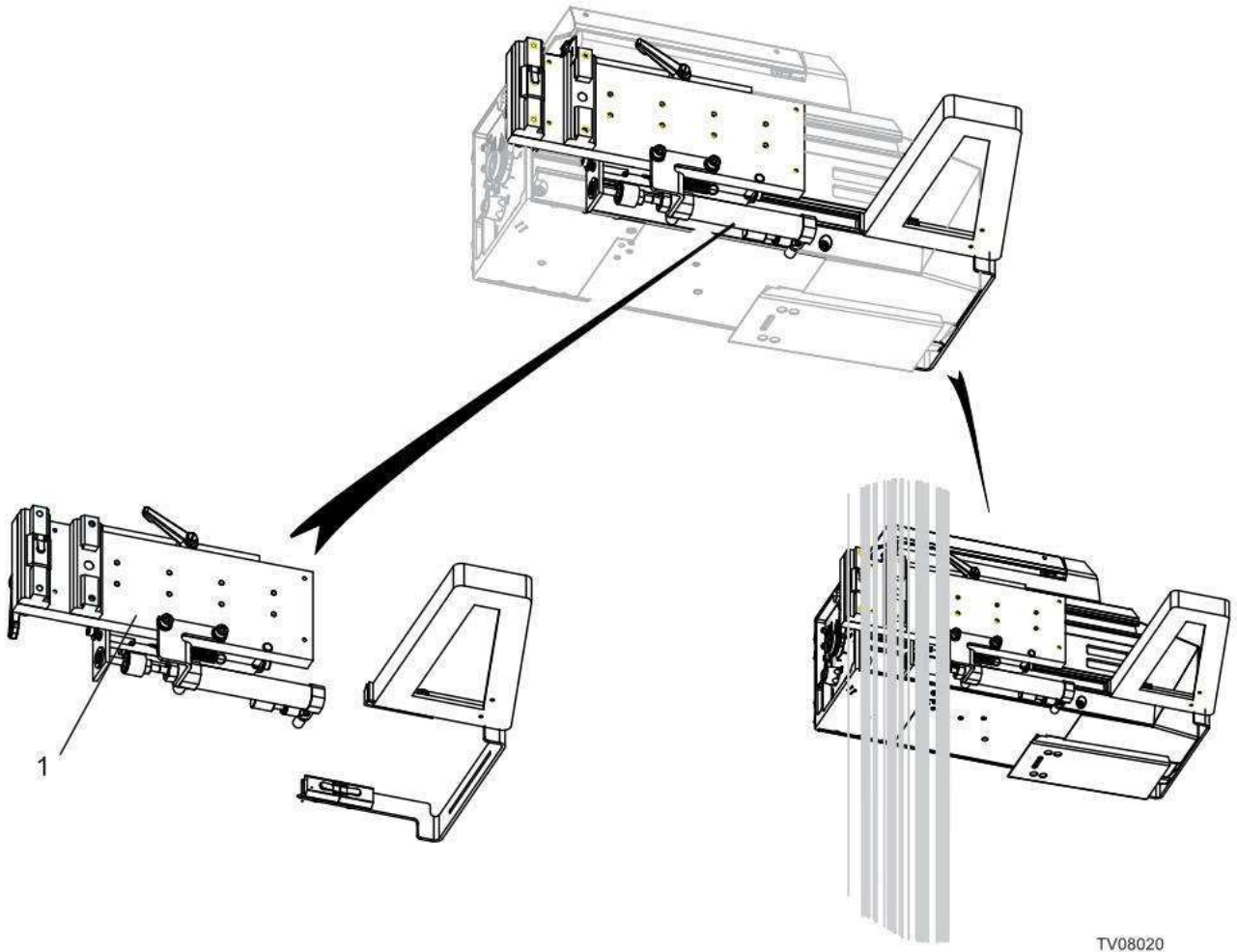


TV08019

Item	Part number	Description
1	10054824	LCIJ - 5800 - ASSEMBLY EXTENDED PRINthead MOUNT

Accessories

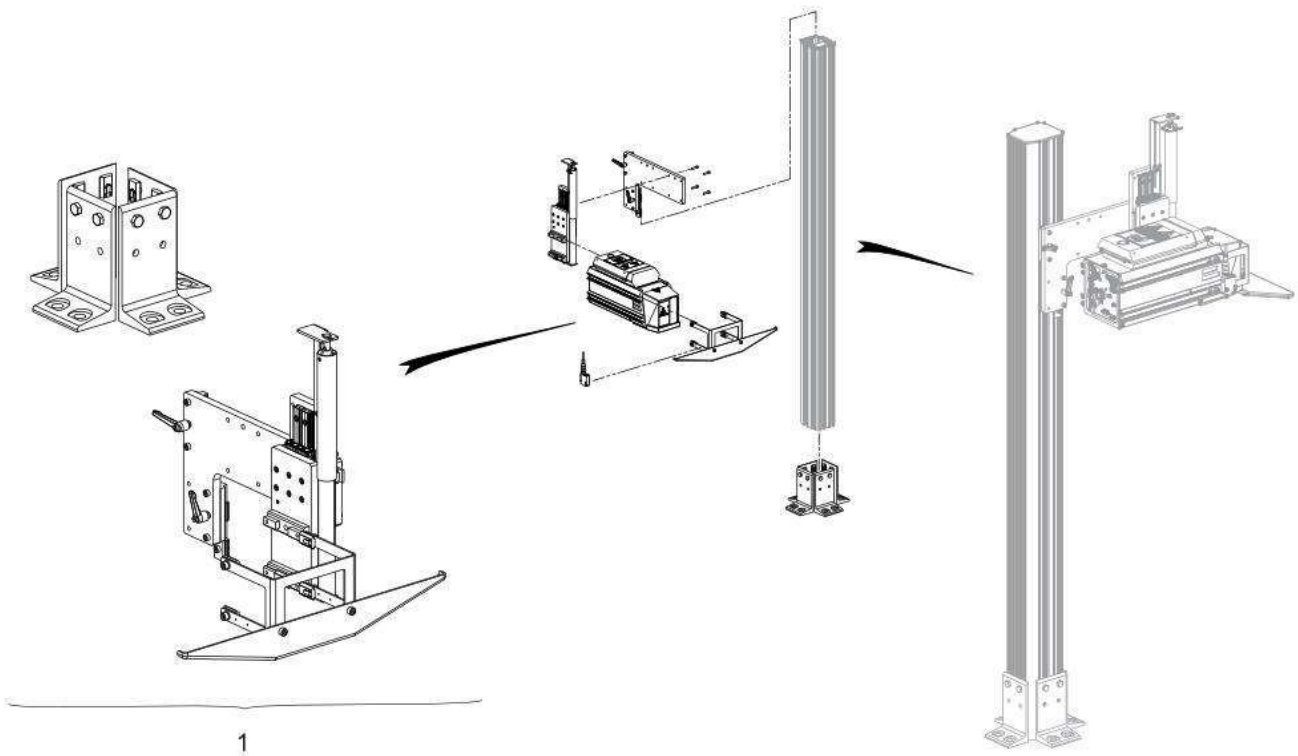
Printhead Slide Assembly



Item	Part number	Description
1	10051443	Printhead Slide Assembly - Vertical jet

Accessories

Down Jet Printhead Slide Assembly



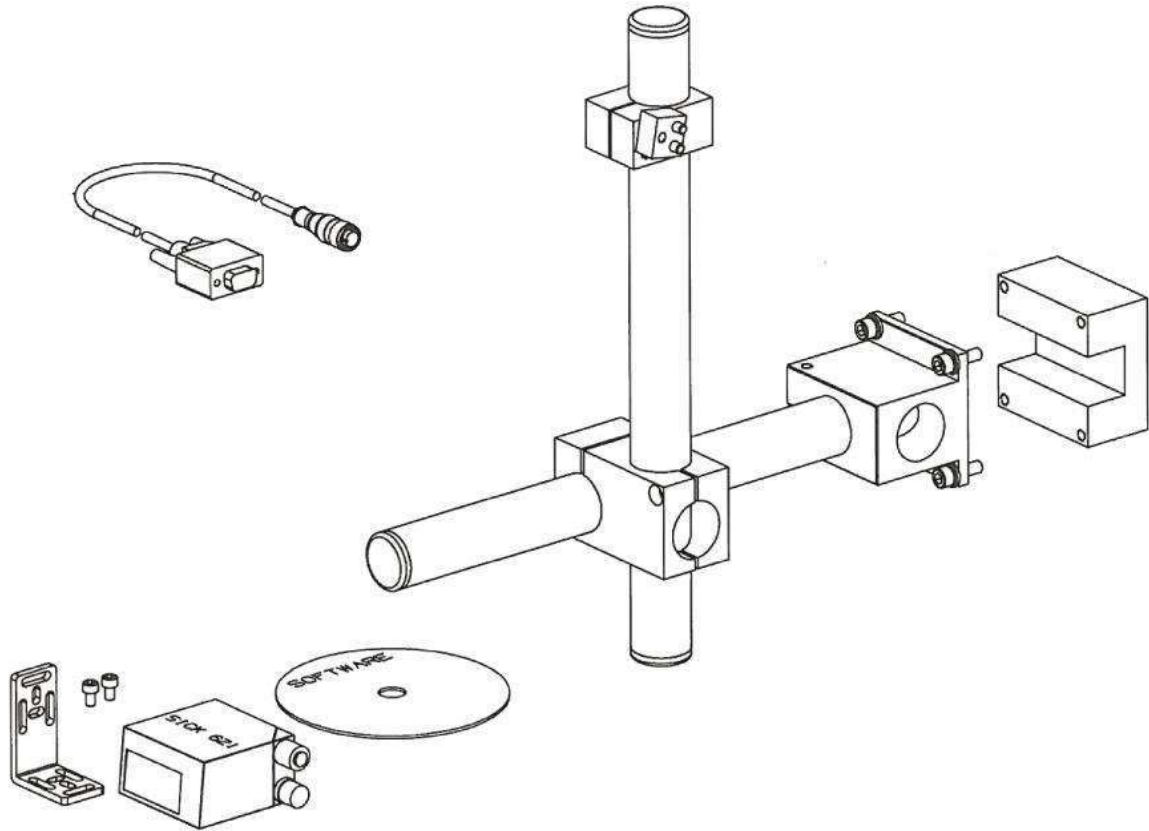
TV08021

Item	Part number	Description
1	10054877	LCIJ - 5800 - ASSEMBLY DOWN JET. PRINthead SLIDE

Accessories

Sick 621 Scanner Assembly

1

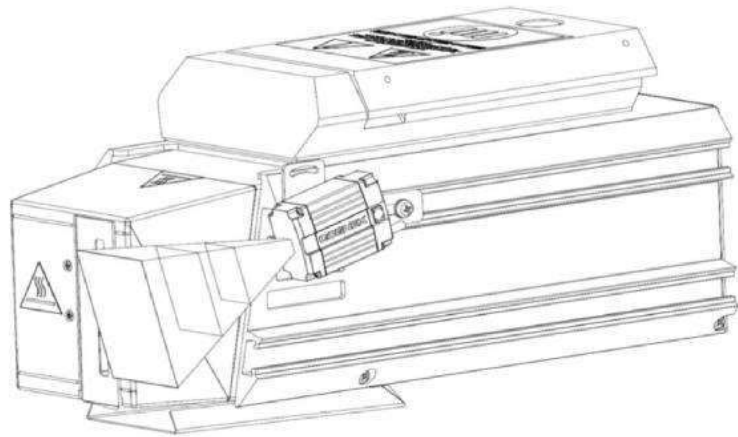


TV08022

Item	Part number	Description
1	10069103	LCIJ - Common - SICK 621 SCANNER ASSEMBLY
1.1	10067856	LC_Piezo_Liquid -5000_common -CLV621 RASTER BARCODE SCANNER

Accessories

Barcode Scanner



TV08071

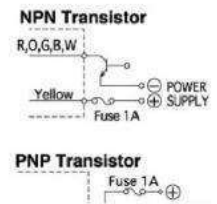
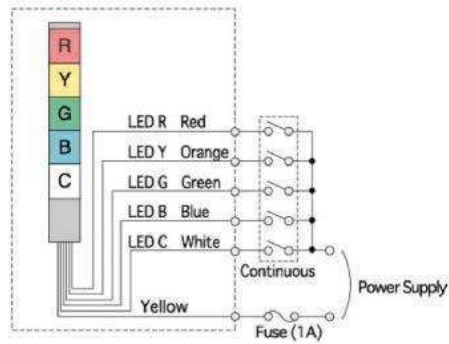
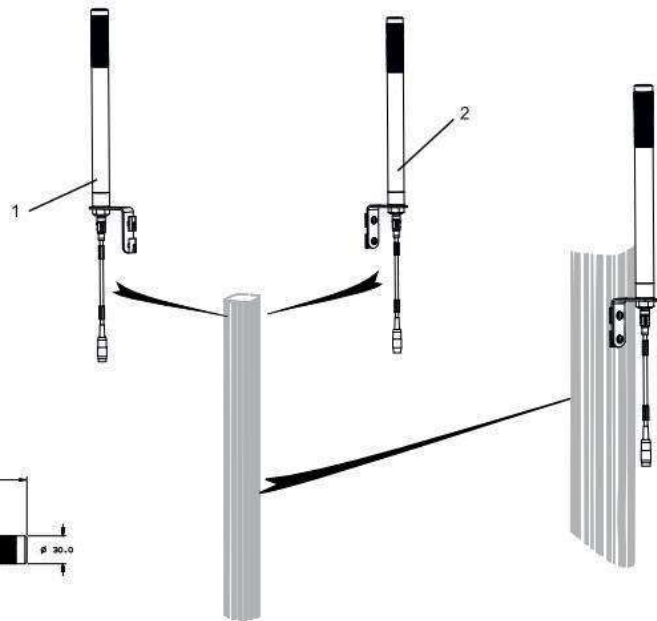
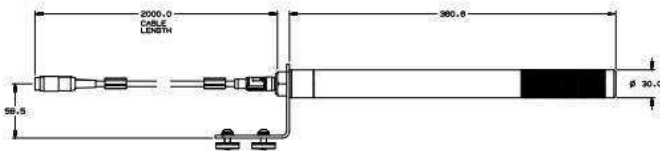
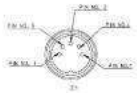
Item	Part number	Description
1	10052038	LCIJ - 5800 - COGNEX 2D SCANNER ASSEMBLY
	10052220	LCIJ - 5800 - DATAMAN 152 X 2D SCANNER
		Not shown

Accessories

Status Beacons (RYG/BYG)

Cable connection

Ampenol	Color	Type/ul grade
T3360010		
1	Yellow	AWG 24
2	Orange	AWG 24
3	NC	
4	Blue	AWG 24
4	Red	AWG 24
5	White	AWG 24
5	Green	AWG 24

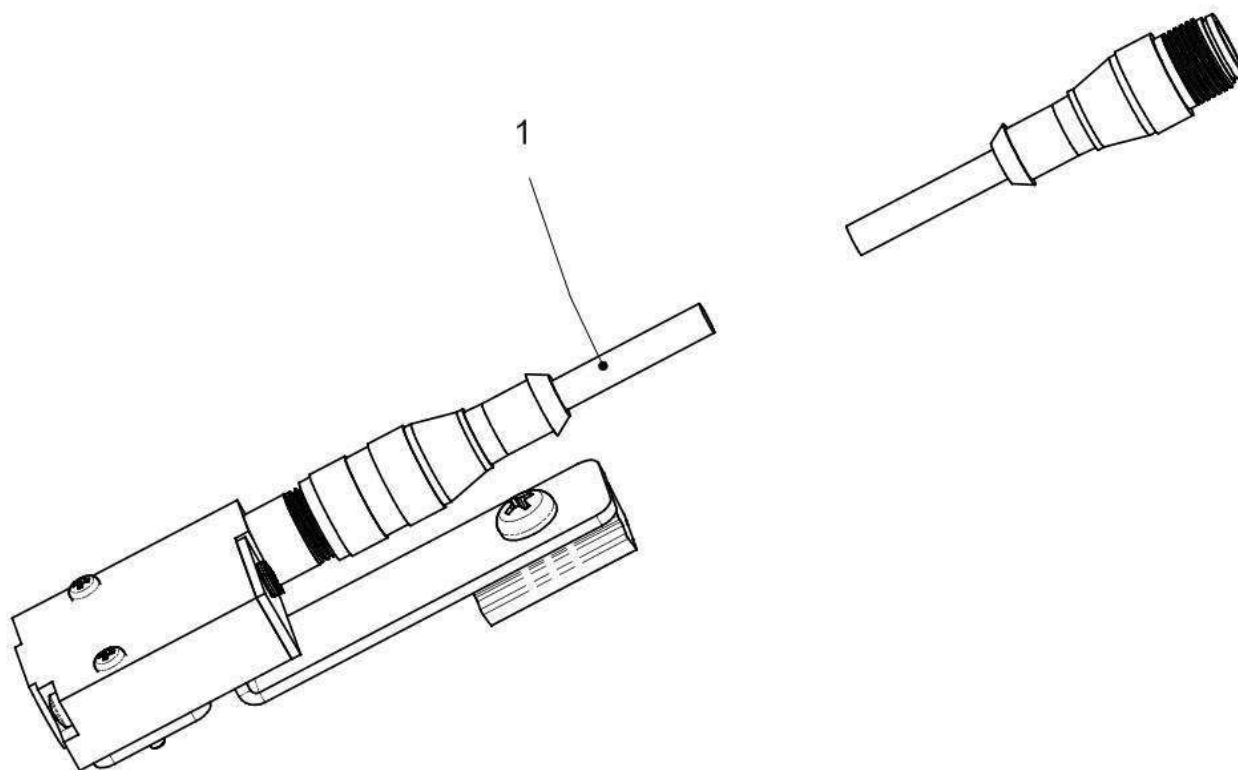


TV08023

Item	Part number	Description
1	10060041	LCIJ - 5800 - ALARM TOWER BLUE/YELLOW/GREEN
2	10060042	Status Beacon RYG (Red/Yellow/Green)

Accessories

Product Sensor Assembly

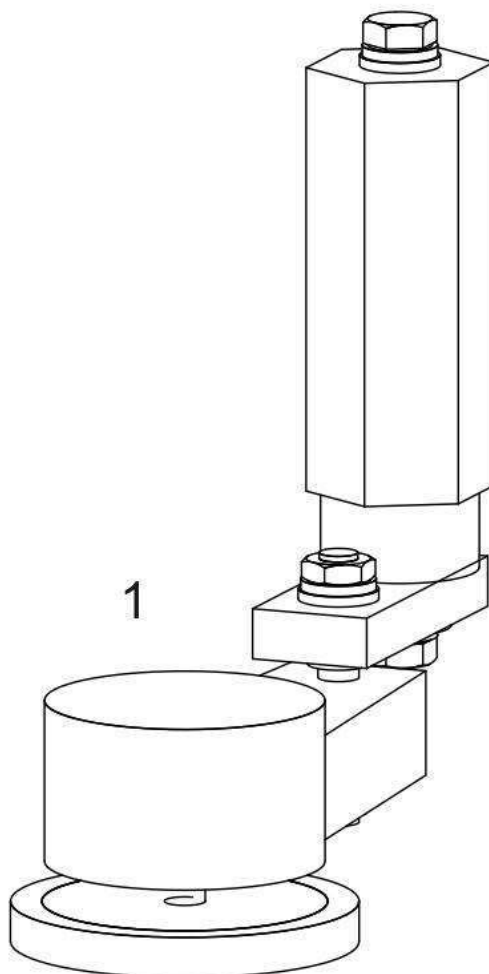


TV08024

Item	Part number	Description
1	ENM10039190	LCIJ - 5800 - PRODUCT SENSOR ASSEMBLY

Accessories

Encoder, IP65 with Mounting Bracket

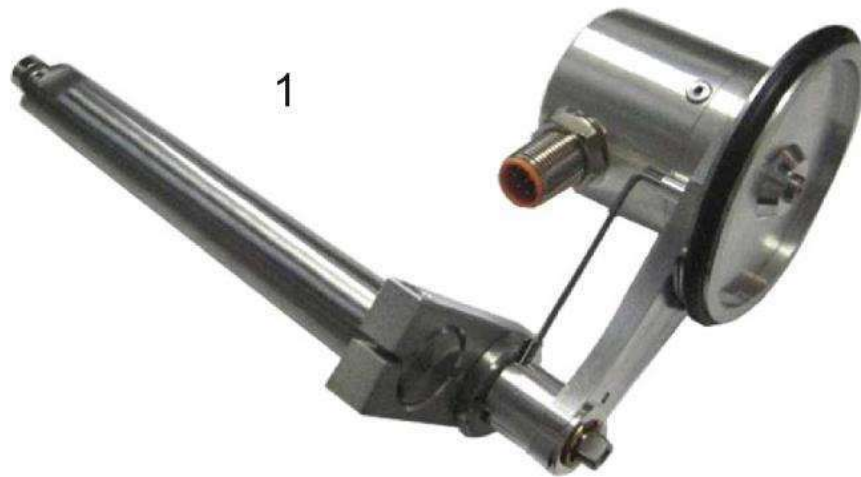


TV08025

Item	Part number	Description
1	10012473	Encoder, IP65 with Mounting Bracket (for conveyor belt)

Accessories

Encoder

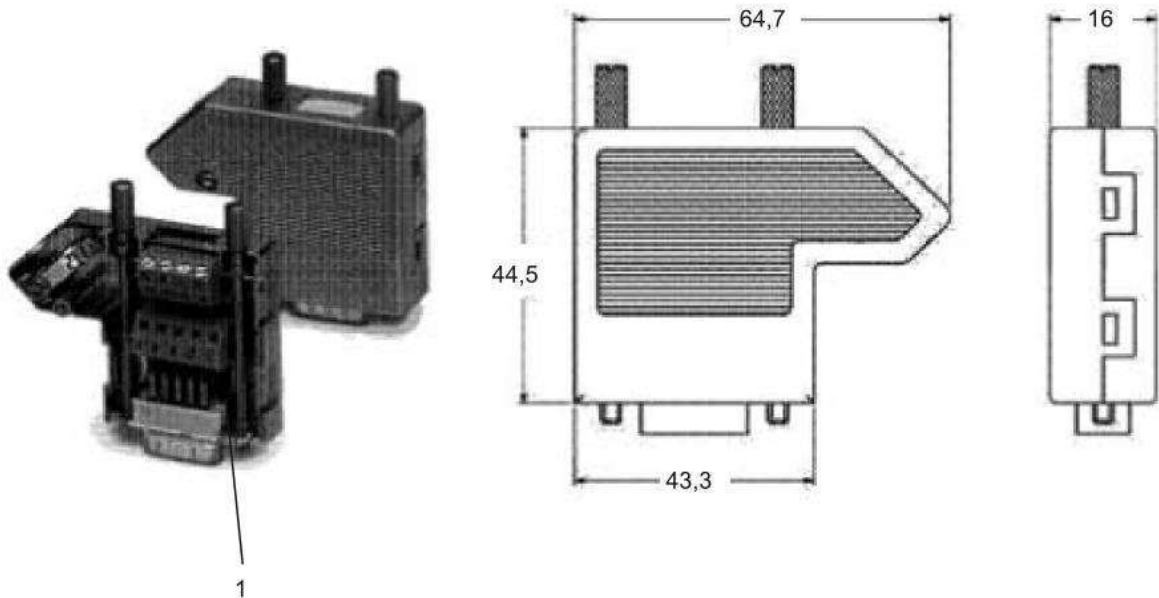


TV08026

Item	Part number	Description
1	10063122	Encoder, with cable and rolling kit arm tension control.

Accessories

15 Female Pin D-Shell Sub Screw Term

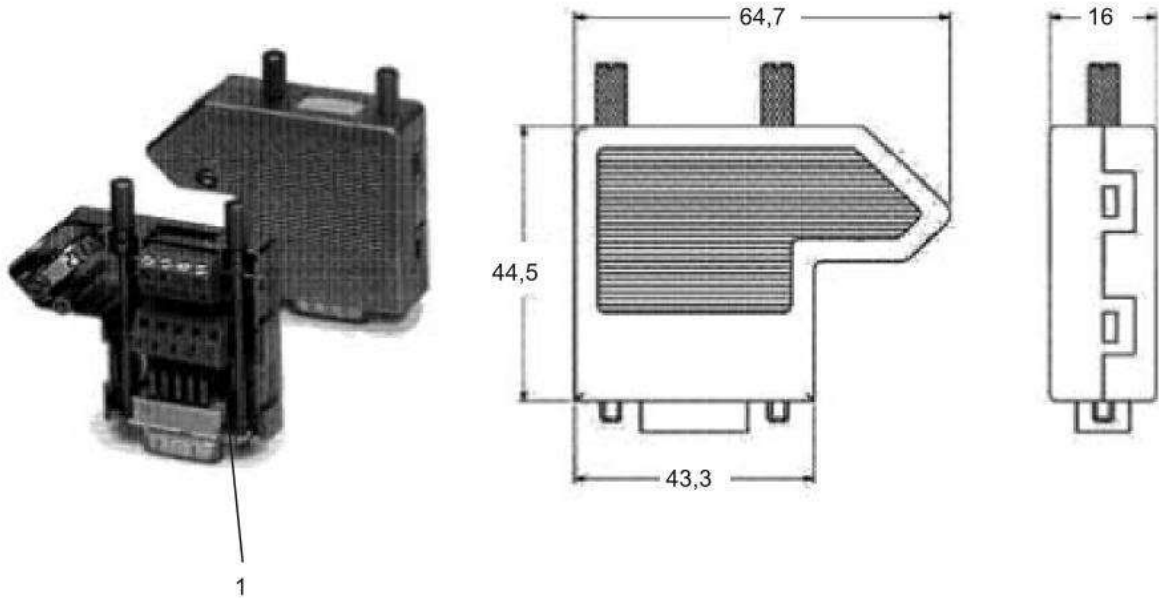


TV08027

Item	Part number	Description
1	10051059	15F. Pin D-Shell Sub Screw Term (for use with Relays)

Accessories

15 Male Pin D-Shell Sub Screw Term

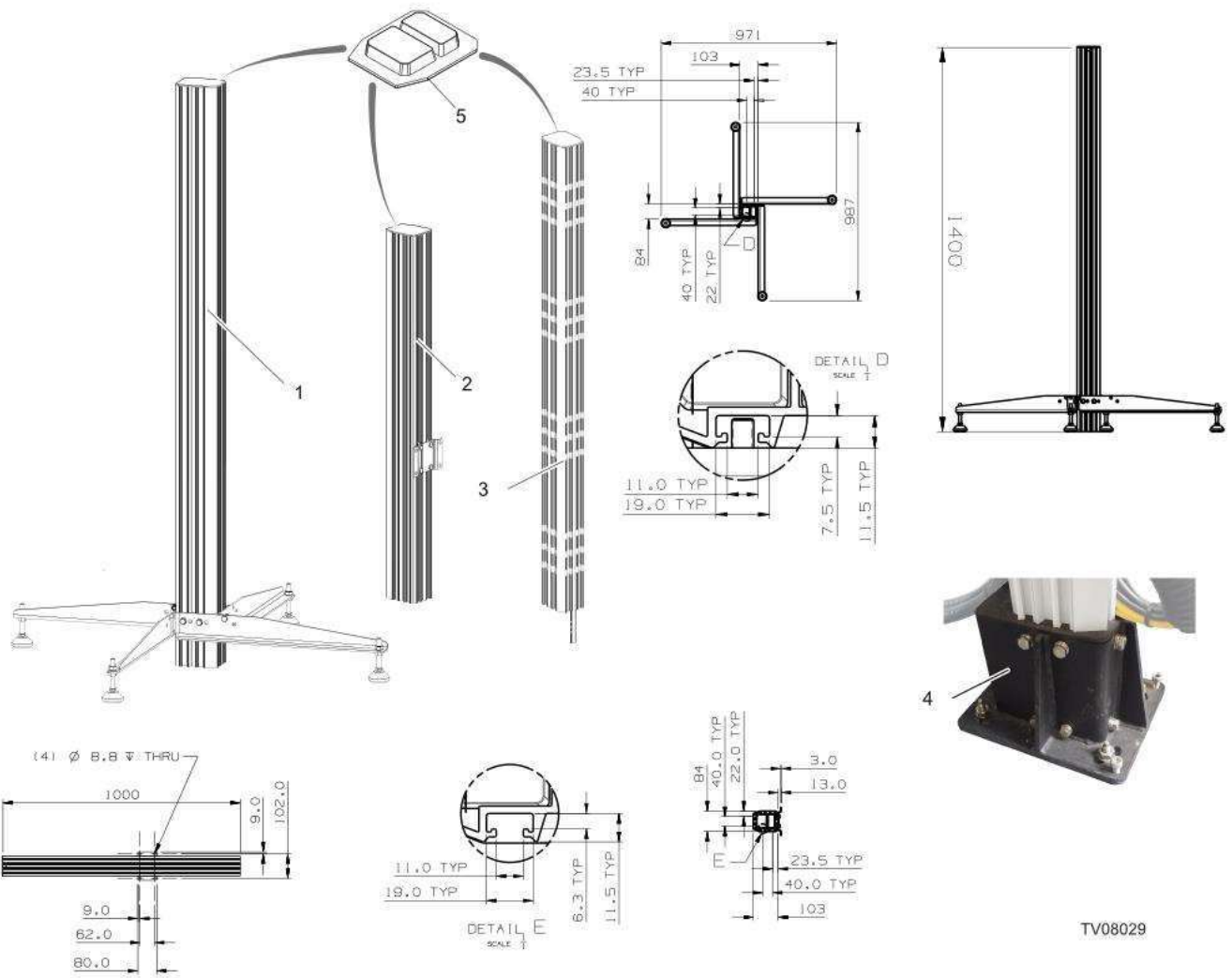


TV08028

Item	Part number	Description
1	10051060	LCIJ - 5800 - CONNECTOR 15M D-SUB SCREW TERM

Accessories

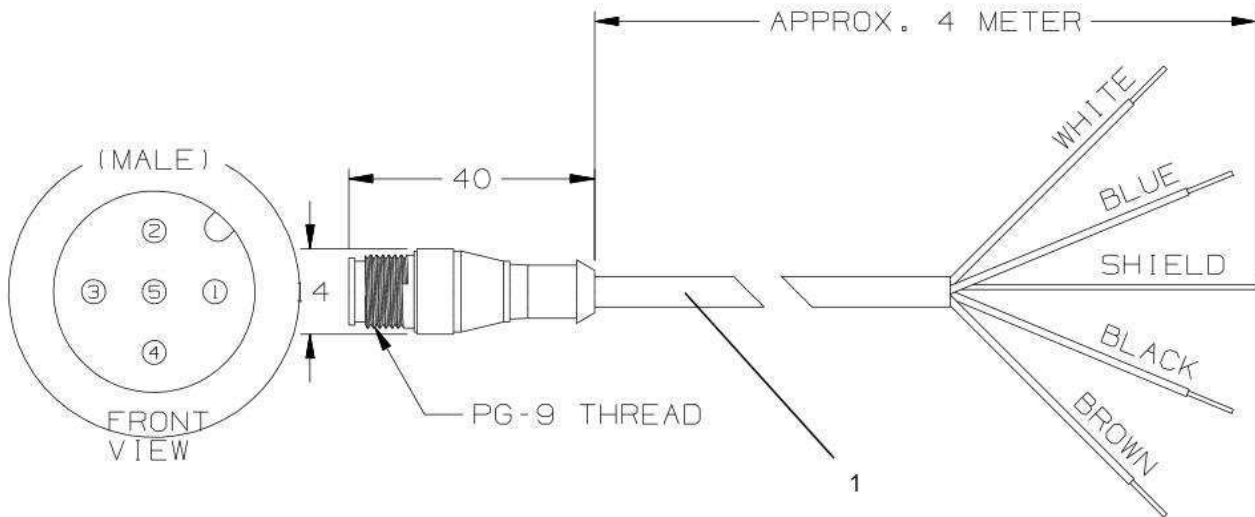
Mounts



Item	Part number	Description
1	10035209	Floor Mount Stand Assembly
2	10031758	LCIJ - 5800 - CONVEYOR MOUNT ASSEMBLY
3	10064206	LCIJ - 5800 - ASSEMBLY, FLOOR STAND - NO LEGS
4	10064492	Heavy duty floor stand
5	10036216	LCIJ - 5800 - CAP END

Accessories

Cable Registration Pigtail (4 meters)



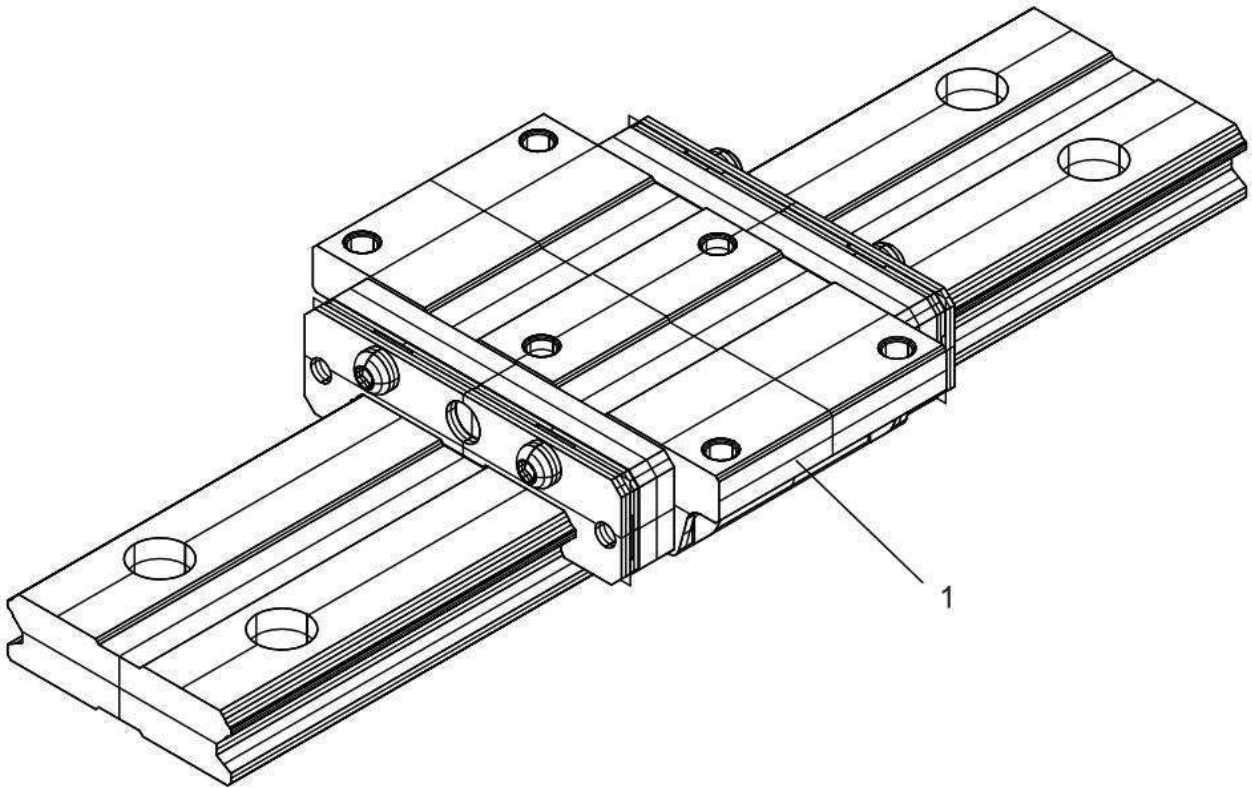
	FRONT VIEW	MALE
	Wire color	Function
1	Brown	DC Power
2	White	Sink
3	Blue	DC Common
4	Black	Source
5	Drain Wire	Shield

TV08030

Item	Part number	Description
1	0687791	LCIJ - Common - CABLE REGISTRATION PIGTAIL

Accessories

5800 Linear Guide Kit

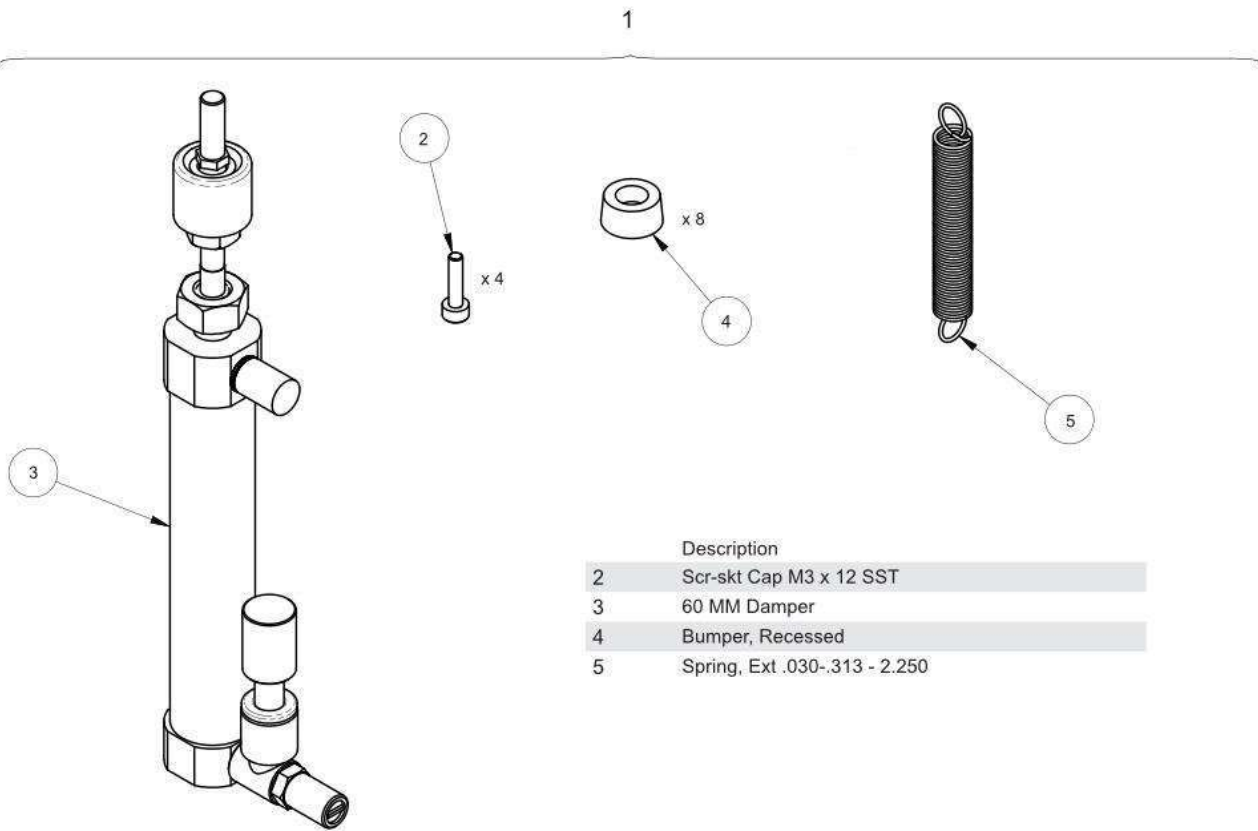


TV08031

Item	Part number	Description
1	10060814	5800 Linear Guide Kit

Accessories

5800 Printhead Slide Rebuild Kit

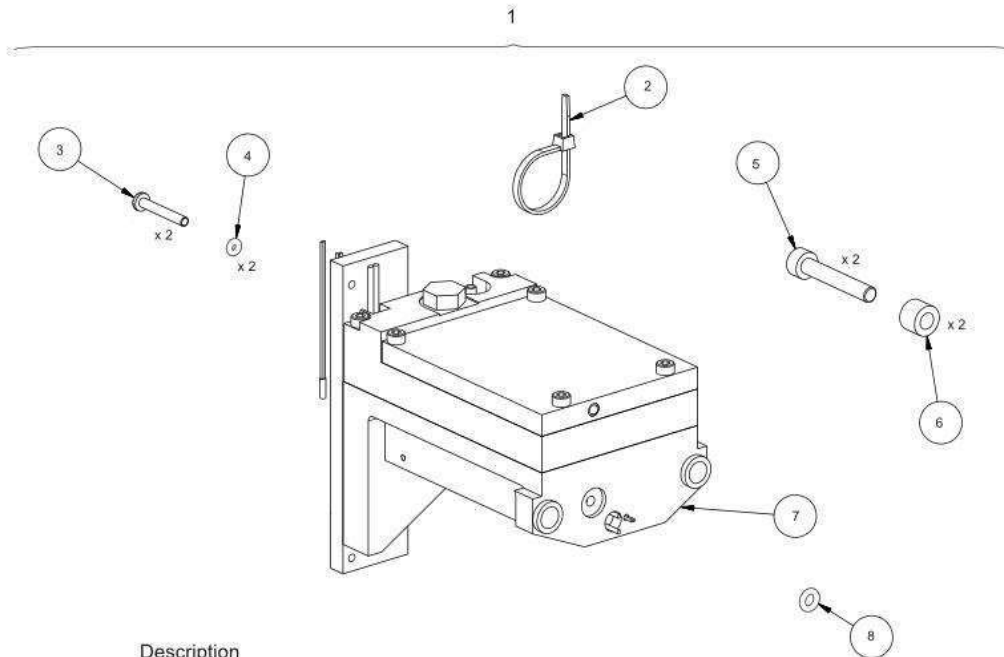


TV08032

Item	Part number	Description
1	10060810	LCIJ - 5800 - 5800 PH SLIDE REBUILD KIT

Accessories

5800 Primary Res Top Plate Upgrade



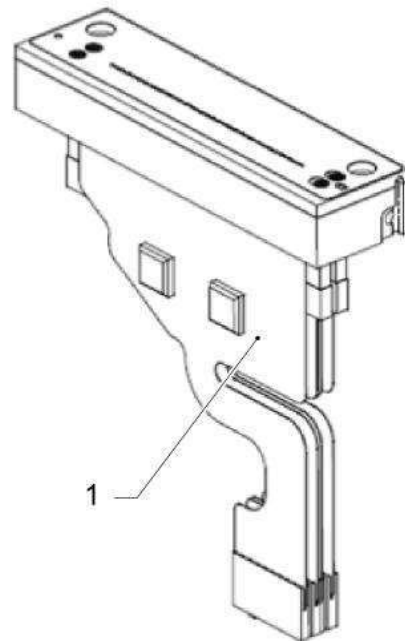
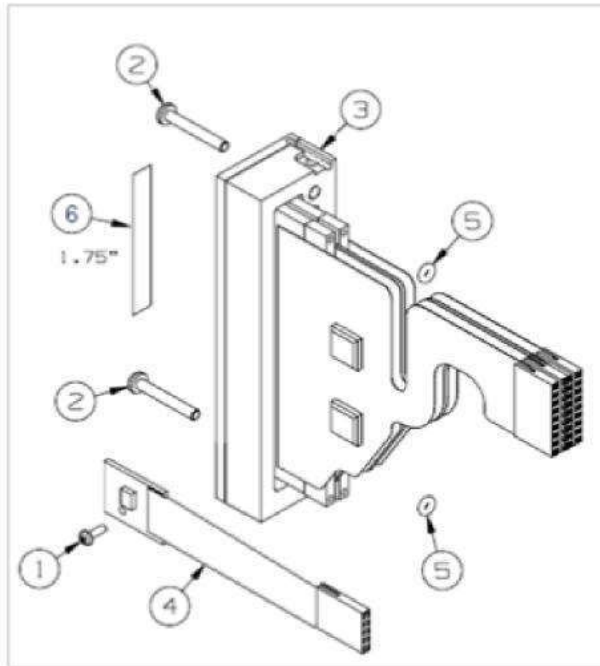
	Description
2	High Temp Ty-Wrap
3	SCR-PHH Pan M3 x 20 SST
4	O-Ring .070 I .D.X.070
5	SCR-SKT Cap M5 x 30 SST
6	Spacer, Insulator
7	5800 Primary Reservoir Assembly
8	O-Ring .285- .145- .070 Viton

TV08033

Item	Part number	Description
1	10060159	5800 Primary Res Top Plate Upgrade

Accessories

5800 Vertical Jetting Assembly Replacement Kit



Parts Included

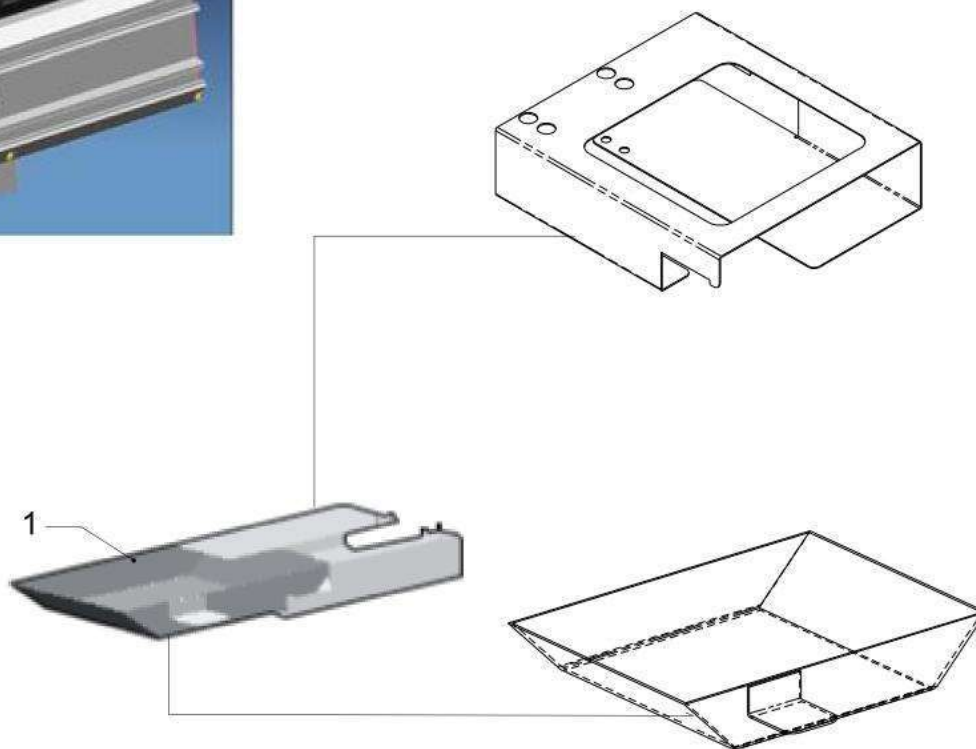
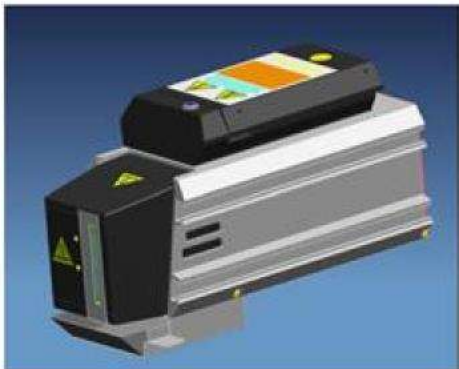
#	Qt	Description
1	1	SCR-PAN M2 x 6 SST
2	2	SCR-PAN M3 x 20 SST
3	1	JETTING ASSEMBLY GAL 512
4	1	PCA STATISTICS MODULE
5	2	O-RING Viton .070 x .070
6	1.75"	TAPE KAPTON 1/4" WIDE

TV08078

Item	Part number	Description
1	10060216	5800. Vertical Jetting Assembly Replacement Kit

Accessories

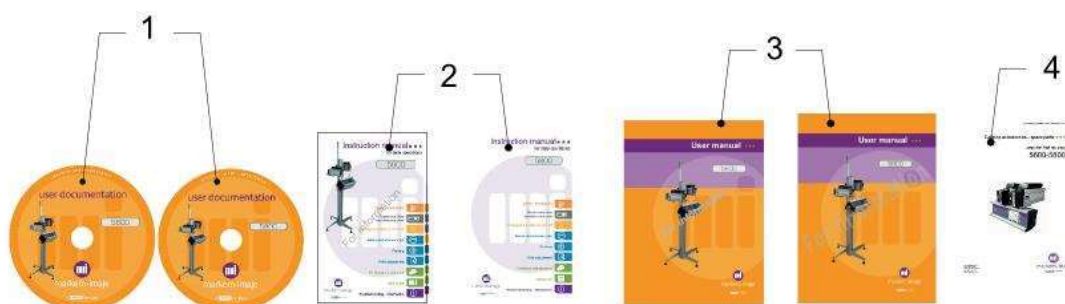
5800 Hi-Capacity Ink Tray



TV08084

Item	Part number	Description
1	10062668	5800. High-capacity purge tray Holds much more purged ink than the standard tray

User Documentation

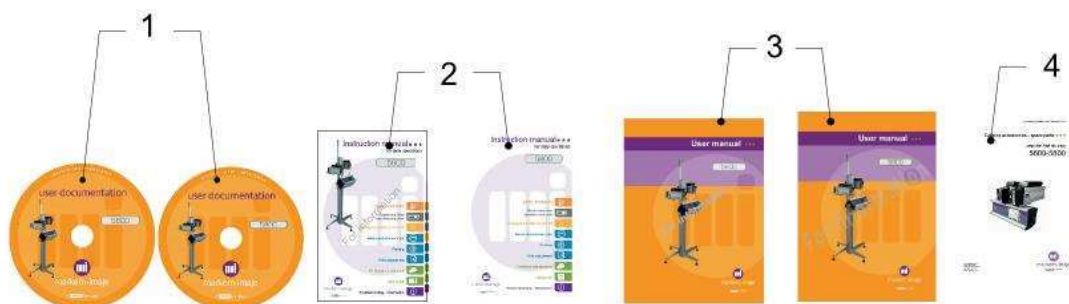


- 1 The DVD-ROM includes the entire range of documentation for the printer in PDF format: User manual, Instruction manual, Spare parts catalog and Instructions for accessories.
Le DVD-ROM regroupe toute la documentation de l'imprimante au format pdf : Manuel Utilisateur, Notice d'Instructions, Catalogue pièces détachées et manuels pour les accessoires.
- 2 The Instruction manual complies with European directive 2006/42/CE. It is translated into various languages. It describes the basic functions of the printer.
La notice d'instructions répond à la directive Européenne 2006/42/CE. Elle est traduite en plusieurs langues. Elle décrit les fonctions de base de l'imprimante.
- 3 The User manual describes the functions of the printer, technical specifications and preventive maintenance.
Le manuel décrit les fonctions de l'imprimante, les caractéristiques techniques ainsi que la maintenance préventive de l'imprimante.
- 4 The catalog includes all spare parts and accessories of the printer.
Le catalogue regroupe toutes les pièces détachées et accessoires de l'imprimante.

TV08034

Item	Part number	Description
1	10051966	5800 - All languages - DVD-Rom User Documentation
1	10052012	5600 - All languages - DVD-Rom User Documentation
2	10051968	Anglais - Instruction Manual - 5600
2	10051969	French - Instruction Manual - 5600
2	10051970	German - Instruction Manual - 5600
2	10051971	Japanese - Instruction Manual - 5600
2	10051972	Italian - Instruction Manual - 5600
2	10051973	Spanish - Instruction Manual - 5600
2	10051974	Portuguese - Instruction Manual - 5600
2	10051975	Brazilian - Instruction Manual - 5600
2	10051976	Swedish - Instruction Manual - 5600
2	10051977	Russian - Instruction Manual - 5600
2	10051978	Dutch - Instruction Manual - 5600
2	10051980	Danish - Instruction Manual - 5600
2	10051981	Polish - Instruction Manual - 5600
2	10051982	Romanian - Instruction Manual - 5600

User Documentation

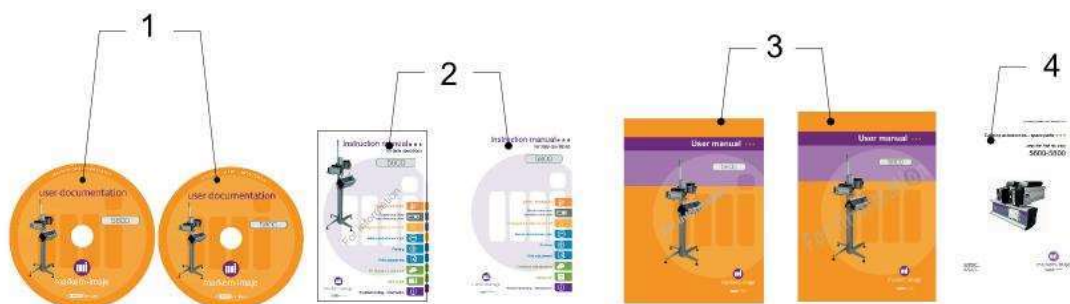


- 1 The DVD-ROM includes the entire range of documentation for the printer in PDF format: User manual, Instruction manual, Spare parts catalog and Instructions for accessories.
Le DVD-ROM regroupe toute la documentation de l'imprimante au format pdf : Manuel Utilisateur, Notice d'Instructions, Catalogue pièces détachées et manuels pour les accessoires.
- 2 The Instruction manual complies with European directive 2006/42/CE. It is translated into various languages. It describes the basic functions of the printer.
La notice d'instructions répond à la directive Européenne 2006/42/CE. Elle est traduite en plusieurs langues. Elle décrit les fonctions de base de l'imprimante.
- 3 The User manual describes the functions of the printer, technical specifications and preventive maintenance.
Le manuel décrit les fonctions de l'imprimante, les caractéristiques techniques ainsi que la maintenance préventive de l'imprimante.
- 4 The catalog includes all spare parts and accessories of the printer.
Le catalogue regroupe toutes les pièces détachées et accessoires de l'imprimante.

TV08034

Item	Part number	Description
2	10051983	Chinese - Instruction Manual - 5600
2	10051984	Turkish - Instruction Manual - 5600
2	10051985	Greek - Instruction Manual - 5600
2	10051986	Estonian - Instruction Manual - 5600
2	10051988	Hungarian - Instruction Manual - 5600
2	10051989	Latvian - Instruction Manual - 5600
2	10051990	Slovenian - Instruction Manual - 5600
2	10051991	Slovak - Instruction Manual - 5600
2	10051992	Czech - Instruction Manual - 5600
2	10051993	Bulgarian - Instruction Manual - 5600
2	10051994	Korean - Instruction Manual - 5600
2	10051995	Norwegian - Instruction Manual - 5600
2	10051996	Lithuanian - Instruction Manual - 5600
2	10051997	Maltese - Instruction Manual - 5600
2	10051998	Irish - Instruction Manual - 5600
2	10051979	Finnish - Instruction Manual - 5600

User Documentation

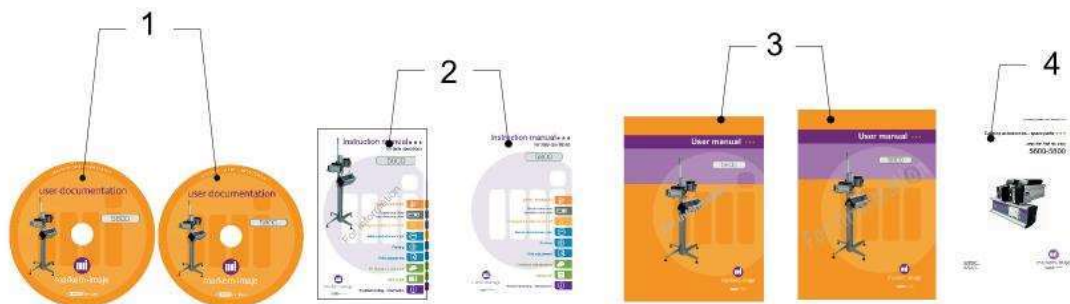


- 1 The DVD-ROM includes the entire range of documentation for the printer in PDF format: User manual, Instruction manual, Spare parts catalog and Instructions for accessories.
Le DVD-ROM regroupe toute la documentation de l'imprimante au format pdf : Manuel Utilisateur, Notice d'Instructions, Catalogue pièces détachées et manuels pour les accessoires.
- 2 The Instruction manual complies with European directive 2006/42/CE.
It is translated into various languages. It describes the basic functions of the printer.
La notice d'instructions répond à la directive Européenne 2006/42/CE.
Elle est traduite en plusieurs langues. Elle décrit les fonctions de base de l'imprimante.
- 3 The User manual describes the functions of the printer, technical specifications and preventive maintenance.
Le manuel décrit les fonctions de l'imprimante, les caractéristiques techniques ainsi que la maintenance préventive de l'imprimante.
- 4 The catalog includes all spare parts and accessories of the printer.
Le catalogue regroupe toutes les pièces détachées et accessoires de l'imprimante.

TV08034

Item	Part number	Description
2	10051999	Serbian - Instruction Manual - 5600
2	10051925	German - Instruction Manual - 5800
2	10051926	Japanese - Instruction Manual - 5800
2	10051927	Italian - Instruction Manual - 5800
2	10051928	Spanish - Instruction Manual - 5800
2	10051929	Portuguese - Instruction Manual - 5800
2	10051930	Brazilian - Instruction Manual - 5800
2	10051931	Swedish - Instruction Manual - 5800
2	10051932	Russian - Instruction Manual - 5800
2	10051933	Dutch - Instruction Manual - 5800
2	10051934	Finnish - Instruction Manual - 5800
2	10051935	Danish - Instruction Manual - 5800
2	10051936	Polish - Instruction Manual - 5800
2	10051937	Romanian - Instruction Manual - 5800
2	10051938	Chinese - Instruction Manual - 5800
2	10051939	Turkish - Instruction Manual - 5800

User Documentation

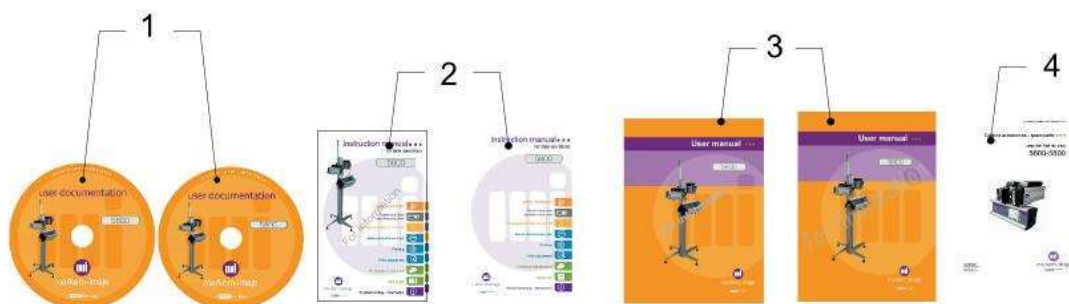


- 1 The DVD-ROM includes the entire range of documentation for the printer in PDF format: User manual, Instruction manual, Spare parts catalog and Instructions for accessories.
Le DVD-ROM regroupe toute la documentation de l'imprimante au format pdf : Manuel Utilisateur, Notice d'Instructions, Catalogue pièces détachées et manuels pour les accessoires.
- 2 The Instruction manual complies with European directive 2006/42/CE. It is translated into various languages. It describes the basic functions of the printer.
La notice d'instructions répond à la directive Européenne 2006/42/CE. Elle est traduite en plusieurs langues. Elle décrit les fonctions de base de l'imprimante.
- 3 The User manual describes the functions of the printer, technical specifications and preventive maintenance.
Le manuel décrit les fonctions de l'imprimante, les caractéristiques techniques ainsi que la maintenance préventive de l'imprimante.
- 4 The catalog includes all spare parts and accessories of the printer.
Le catalogue regroupe toutes les pièces détachées et accessoires de l'imprimante.

TV08034

Item	Part number	Description
2	10051940	Greek - Instruction Manual - 5800
2	10051941	Estonian - Instruction Manual - 5800
2	10051942	Hungarian - Instruction Manual - 5800
2	10051943	Latvian - Instruction Manual - 5800
2	10051944	Slovenian - Instruction Manual - 5800
2	10051945	Slovak - Instruction Manual - 5800
2	10051946	Czech - Instruction Manual - 5800
2	10051947	Bulgarian - Instruction Manual - 5800
2	10051948	Korean - Instruction Manual - 5800
2	10051949	Norwegian - Instruction Manual - 5800
2	10051950	Lithuanian - Instruction Manual - 5800
2	10051951	Maltese - Instruction Manual - 5800
2	10051952	Irish - Instruction Manual - 5800
2	10051953	Serbian - Instruction Manual - 5800
2	10051923	English - Instruction Manual - 5800
2	10051924	French - Instruction Manual - 5800

User Documentation

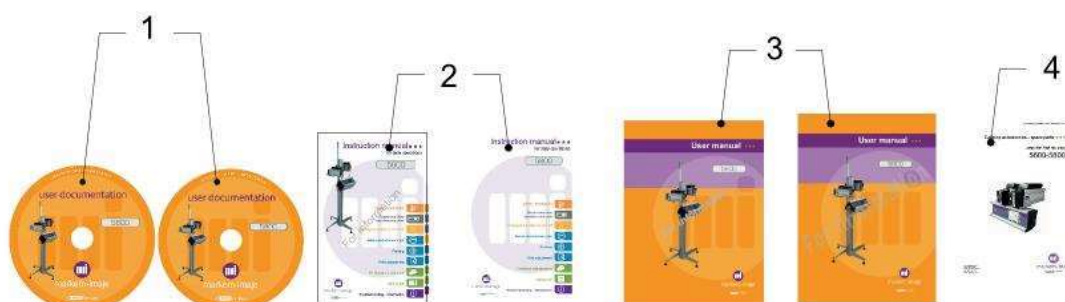


- 1 The DVD-ROM includes the entire range of documentation for the printer in PDF format:
User manual, Instruction manual, Spare parts catalog and Instructions for accessories.
Le DVD-ROM regroupe toute la documentation de l'imprimante au format pdf :
Manuel Utilisateur, Notice d'Instructions, Catalogue pièces détachées et manuels pour les accessoires.
- 2 The Instruction manual complies with European directive 2006/42/CE.
It is translated into various languages. It describes the basic functions of the printer.
La notice d'instructions répond à la directive Européenne 2006/42/CE.
Elle est traduite en plusieurs langues. Elle décrit les fonctions de base de l'imprimante.
- 3 The User manual describes the functions of the printer, technical specifications and preventive maintenance.
Le manuel décrit les fonctions de l'imprimante, les caractéristiques techniques ainsi que la maintenance préventive de l'imprimante.
- 4 The catalog includes all spare parts and accessories of the printer.
Le catalogue regroupe toutes les pièces détachées et accessoires de l'imprimante.

TV08034


Item	Part number	Description
3	10052001	German - User Manual - 5600
3	10052002	Italian - User Manual - 5600
3	10052003	French - User Manual - 5600
3	10052004	Spanish - User Manual - 5600
3	10052005	Japanese - User Manual - 5600
3	10052006	Portuguese - User Manual - 5600
3	10052007	Brazilian - User Manual - 5600
3	10052008	Swedish - User Manual - 5600
3	10052009	Russian - User Manual - 5600
3	10052010	Dutch - User Manual - 5600
3	10052011	Chinese - User Manual - 5600
3	10052000	English - User Manual - 5600
3	10051954	German - User Manual - 5800
3	10051955	Italian - User Manual - 5800
3	10051956	French - User Manual - 5800
3	10051957	Spanish - User Manual - 5800

User Documentation



- 1 The DVD-ROM includes the entire range of documentation for the printer in PDF format: User manual, Instruction manual, Spare parts catalog and Instructions for accessories.
Le DVD-ROM regroupe toute la documentation de l'imprimante au format pdf : Manuel Utilisateur, Notice d'Instructions, Catalogue pièces détachées et manuels pour les accessoires.
- 2 The Instruction manual complies with European directive 2006/42/CE. It is translated into various languages. It describes the basic functions of the printer.
La notice d'instructions répond à la directive Européenne 2006/42/CE. Elle est traduite en plusieurs langues. Elle décrit les fonctions de base de l'imprimante.
- 3 The User manual describes the functions of the printer, technical specifications and preventive maintenance.
Le manuel décrit les fonctions de l'imprimante, les caractéristiques techniques ainsi que la maintenance préventive de l'imprimante.
- 4 The catalog includes all spare parts and accessories of the printer.
Le catalogue regroupe toutes les pièces détachées et accessoires de l'imprimante.

TV08034

Item	Part number	Description
3	10051958	Japanese - User Manual - 5800
3	10051959	Portuguese - User Manual - 5800
3	10051960	Brazilian - User Manual - 5800
3	10051961	Swedish - User Manual - 5800
3	10051962	Russian - User Manual - 5800
3	10051963	Dutch - User Manual - 5800
3	10051964	Chinese - User Manual - 5800
3	10041241	English - User Manual - 5800
4	 10051965	English - Catalog accessories spare parts - 5600-5800 (No hard copy available, PDF only)