

## Catalog accessories - spare parts


Thermal transfer - SmartDate

# SmartDate X65



Markem-Imaje Industries Ltd.  
Alexander Fleming Building  
Nottingham Science Park  
University Boulevard  
Nottingham NG7 2 QN  
Tel.: +44(0)115 943 0055

**Inkjet Partner**

Service am Punkt 

Inkjet-Partner Handelsgesellschaft mbH  
Aumühlweg 17-19, Halle 12D  
2544 Leobersdorf



markem·imaje

a **DOVER** company

## ■ Consignes de sécurité



Read Instruction manual + DVD-Rom

**AVERTISSEMENT** : avant d'utiliser l'imprimante, veuillez lire attentivement les informations concernant la sécurité et l'installation présentes dans la notice d'instructions, ainsi que la fiche de sécurité (FDS) pour les consommables utilisés.

## ■ Recyclage



Élimination des piles et accumulateurs usagés (applicable dans les pays de l'union européenne et aux autres pays européens disposant de systèmes de collecte sélective).



Élimination des appareils électriques et électroniques usagés (applicable dans les pays de l'union européenne et aux autres pays européens disposant de systèmes de collecte sélective).

Ces symboles indiquent que l'appareil électrique et électronique en fin de vie ainsi que les piles et accumulateurs qui le constituent, ne doivent pas être traités comme de simples déchets ménagers. En vous assurant que ces éléments sont mis au rebut de façon appropriée, vous participez activement à la prévention des conséquences négatives que leur mauvais traitement pourrait provoquer sur l'environnement et sur la santé humaine. Le recyclage des matériaux contribue à la préservation des ressources naturelles. En confiant votre appareil électrique en fin de vie à une société dûment habilitée, vous vous assurez que tous les éléments incorporés seront traités correctement.

Pour tous les autres cas de figure et afin d'enlever les piles, les accumulateurs ou autres matériaux en toute sécurité de votre appareil, reportez-vous au manuel d'utilisation ou contactez votre représentant Markem-Imaje.

## ■ Safety Instructions



Read Instruction manual + DVD-Rom

**WARNING**: before using the printer, please carefully read the information concerning safety and installation in the instruction manual and the Safety Data Sheet (SDS) for the consumables used.

## ■ Recycling



Disposal of used batteries and rechargeable batteries (applicable in European Union countries and other European countries with selective waste collection systems).



Disposal of used electrical and electronic equipment (applicable in European Union countries and other European countries with selective waste collection systems).

These symbols indicate that the electrical and electronic device, and the batteries and rechargeable batteries therein, must not be disposed of at the end of its life as ordinary municipal solid waste. By ensuring that these items are disposed of appropriately, you play an active role in avoiding the harmful consequences that incorrect disposal could have on the environment and human health. The recycling of materials contributes to the preservation of natural resources.

By entrusting your end-of-life electrical devices to a duly authorized disposal company, you ensure that all the items therein will be handled correctly.

In all other cases and in order to safely remove batteries, rechargeable batteries and other materials, see the user manual or contact your Markem-Imaje representative.

GEN-FR-EN-TTO

## ■ Programme d'échange standard

Les pièces de remplacement sont disponibles à l'occasion du "programme échange standard Markem-Imaje". Il s'agit de pièces re-conditionnées : les composants usés ou endommagés ont été remplacés. Ces pièces sont identifiées dans le catalogue client par une référence spécifique commençant par ENR.

<b>Pièce neuve</b>	<b>Référence</b>
<b>Pièce de remplacement</b>	ENMXXXXX ENRXXXXX

Les pièces de remplacement sont disponibles dans les conditions suivantes:

- une pièce reconditionnée contient des composants recyclés,
- la pièce d'origine défectueuse doit être renvoyée à Markem-Imaje. Elle devient la propriété de Markem-Imaje,
- la pièce d'origine défectueuse n'a pas été modifiée, détériorée et aucun composant n'a été enlevé,
- l'utilisation de la pièce d'origine défectueuse et les instructions de maintenance ont été respectées,
- les procédures de nettoyage et de vidange de la pièce d'origine défectueuse ont été respectées.

## ■ Comment commander ?

Les commandes peuvent être passées par mail, fax ou téléphone. Dans ce dernier cas une confirmation écrite est nécessaire.

Pour les commandes de pièces ou accessoires, contacter votre représentant Markem-Imaje.

Les précisions suivantes doivent apparaître sur les commandes de pièces détachées:

Référence Markem-Imaje de la pièce, désignation, quantité désirée, date de livraison demandée, instructions d'expédition, numéro de commande.

## ■ Code observation



Les articles précédés de ce code ne sont pas des articles vendables client. Contacter votre revendeur Markem-Imaje ou votre Distributeur.



Les articles précédés de ce code ne sont pas des articles vendables client mais sont des documents disponibles au format pdf. Contacter votre revendeur Markem-Imaje ou votre Distributeur.

Pour matériel de marquage et de codage. Les photographies et illustrations ne sont pas contractuelles. L'original de ce document a été rédigé en anglais. Seul le texte anglais de ce document est authentique et fait foi en cas de conflit. Markem-Imaje se réserve le droit de modifier les spécificités de son produit sans préavis. Toute reproduction, même partielle, de ce document est interdite. Traduction du manuel d'origine : le manuel d'origine (en anglais) est disponible sur le DVD-ROM fourni avec l'imprimante.

© 2014 Markem-Imaje Tous droits réservés. Version française

## ■ Part Exchange Program

Replacement parts are available under the Markem-Imaje Part Exchange Program. These are reconditioned parts, all worn or damaged components have been replaced. These parts are identified in the catalog by a specific reference prefix ENR, e.g.:

	<b>Part number</b>
<b>New Part</b>	ENMXXXXX
<b>Replacement Part</b>	ENRXXXXX

Replacement parts are available under the following conditions:

- a reconditioned part contains recycled components,
- the defective original part must be returned to Markem-Imaje and it becomes the property of Markem-Imaje,
- the defective original part has not been modified or damaged and no component has been removed,
- proper use has been made of the defective original part and the maintenance instructions have been complied with,
- cleaning and draining procedures for the defective original part have been followed.

## ■ How to order?

Order may be sent by mail, fax or telephone. Written confirmation is required in the case of telephone orders.

To order parts, contact the markem-Imaje representative.

The following information should be shown on orders for replacement parts or accessories:

Markem-Imaje part reference number, description, quantity required, required delivery date, delivery instructions, purchase order number.

## ■ Observation code



The articles preceded by this symbol are not saleable to customers. Contact your MI Reseller or your Partner.



The articles preceded by this symbol are not saleable to customers but document available in pdf format. Contact your MI Reseller or your Partner.

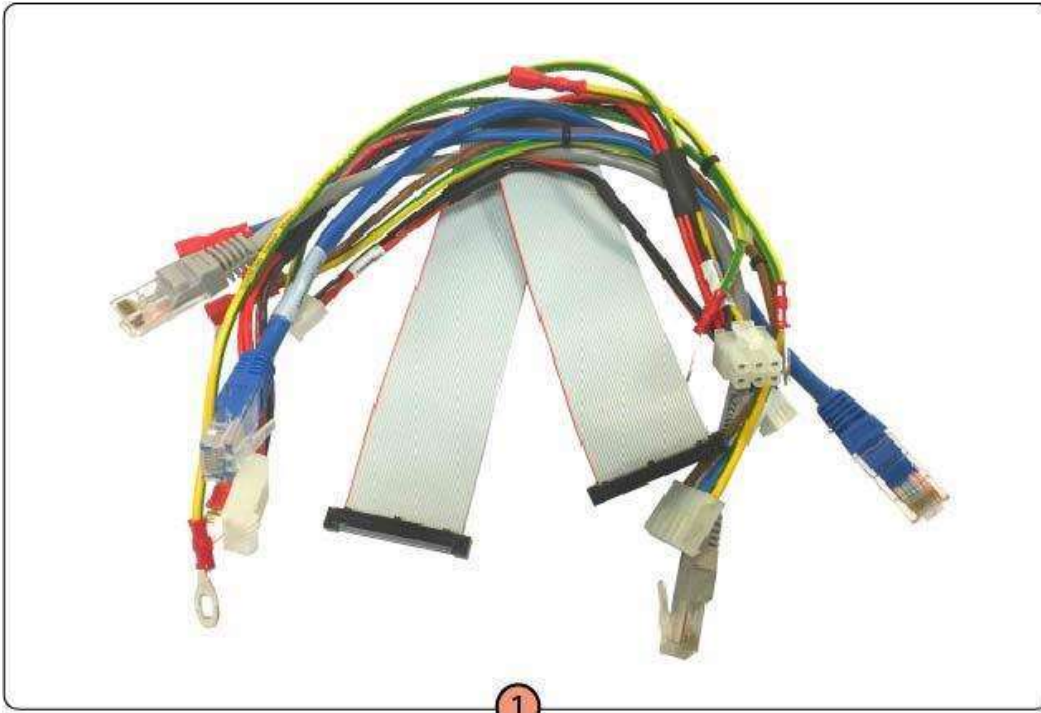
For Marking & Coding Equipment. Photographs and drawings are not binding in detail. Original manual. This document was originally written in English. The English text of this document shall alone be authentic and shall prevail in the event of a dispute. Markem-Imaje reserves the right to modify the specifications of its products without prior notice. Any reproduction, even partial, of this document is prohibited.

© 2015 Markem-Imaje All Rights Reserved. English version

GEN-FR-EN-TT02

# Electrical/electronic components

## MUI X65 Internal Cables Kit



TV02070

Item	Part number	Description
1	ENM10082420	TTO - X-65 - MUI X65 INTERNAL CABLES KIT



# Electrical/electronic components

## Cables



TV02161

Item	Part number	Description
1	EN5686441	Printer power and signals cable (1.0m)
1	EN5686443	Printer power and signals cable (3.0m)
1	EN5686445	Printer power and signals cable (10.0m)
2	EN5686420	Low profile printer power and signals cable (1.0m)
2	EN5686412	Low profile printer power and signals cable (3.0m)
2	EN5825011	Low profile printer power and signals cable (5.0m)
2	EN5686423	Low profile printer power and signals cable (10.0m)
3	5824628	I/O cable UL assembly
4	5686405	Ethernet Cable
5	5686406	PC crossover local area network cable (Ethernet - RJ45)
6	5824644	Communication 232 cable assembly (9 way D type)
7	ENM10001216	RS422 Encoder interface cable assembly
8	ENM10056007	Encoder adaptor cable assembly (15 way D type)
9	A41382	Encoder cable
10	ENM5825211	Encoder adaptor cable assembly (9 way D type)

# Electrical/electronic components

## Main Supply Cable

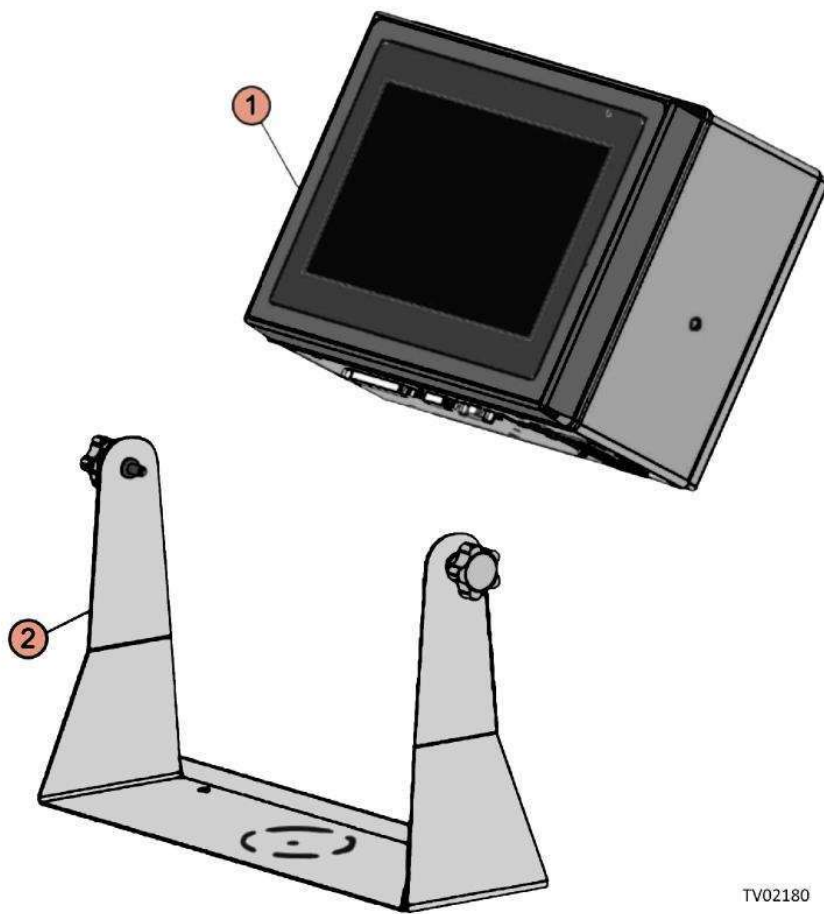


TV02162

Item	Part number	Description
1	5686230	IEC320 mains lead European colour 5.0m
2	5686229	IEC320 mains lead North America colour 5.0m
3	A41522	Main Supply Cable - Argentina standard - 2 m
4	A35322	Main Supply Cable - Oceanic standard - 2 m
5	A51494	Main Supply Cable - Korea standard - 2 m

# Controller

## SDX65 MUI Controller Assembly



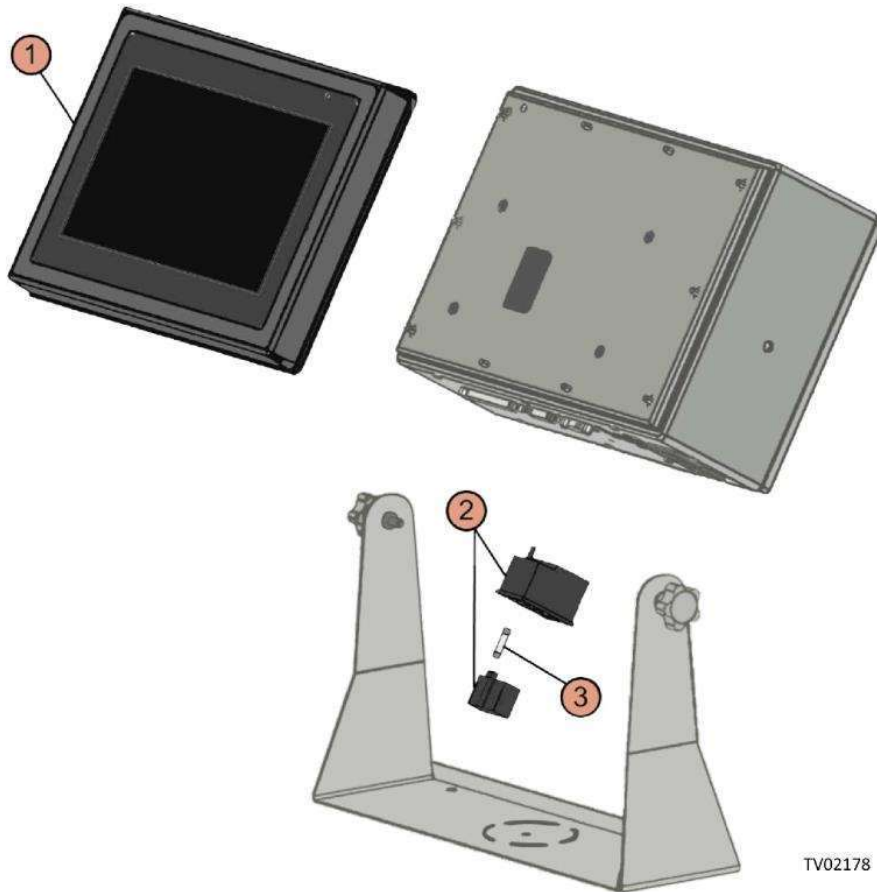
TV02180

---

Item	Part number	Description
1	ENM10081502	TTO - X-65 - SPARE X65 MUI CONTROLLER ASSEMBLY
2	ENM10090243	MUI Mounting Bracket Kit

# Controller

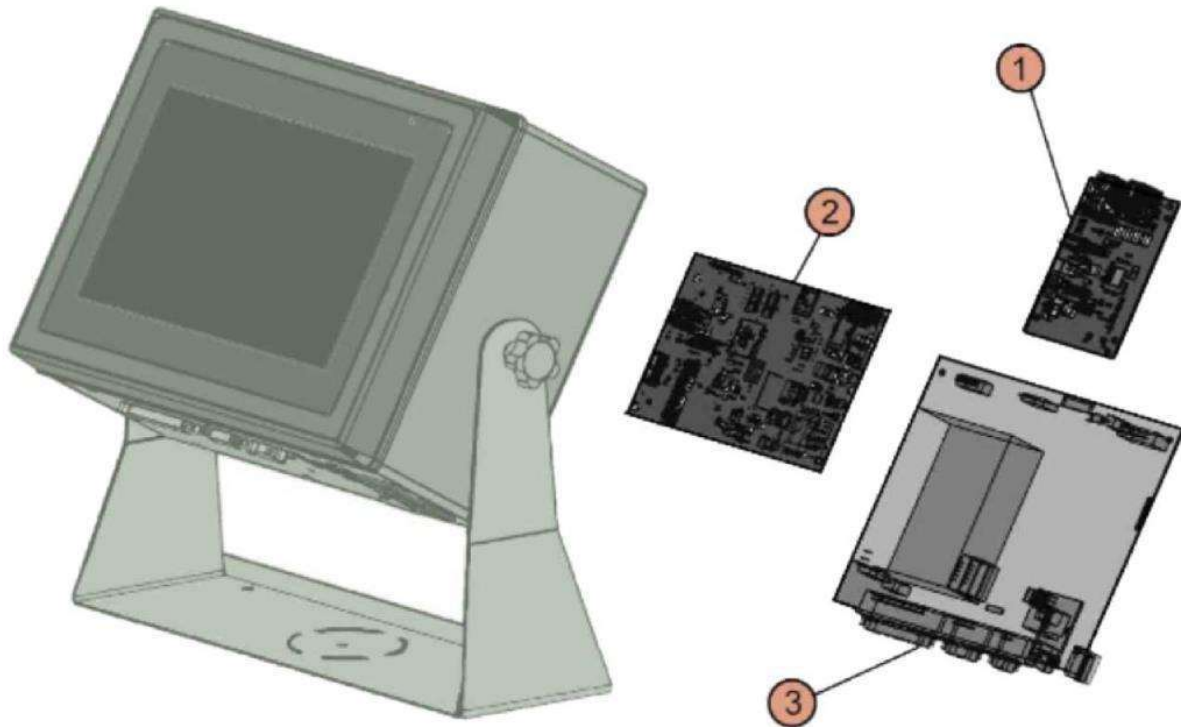
## SDX65 Front Panel Kit



Item	Part number	Description
1	ENM10082417	TTO - X-65 - MUI X65 FRONT. PANEL KIT
2	ENM10055578	Power Entry Spares Kit
3	B04297AA	Fuse T5A 20MM HRC RoHS

# Controller

## MUI Controller PCB Assemblies



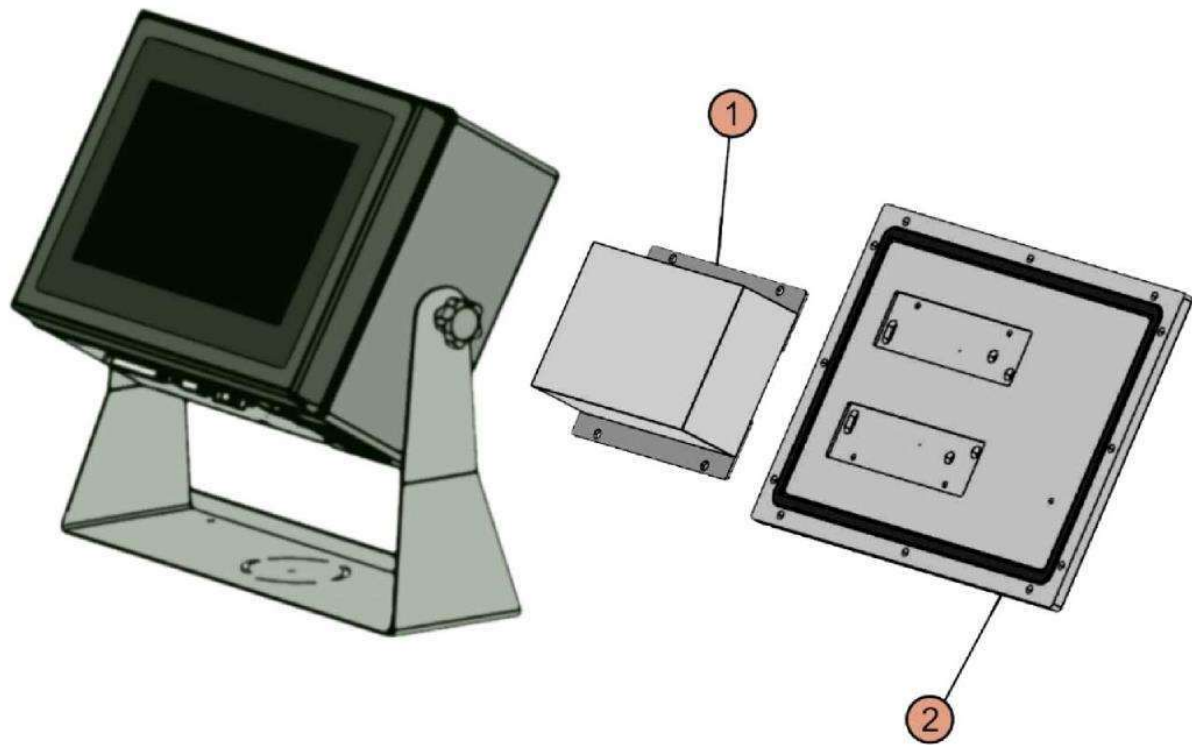
TV02065

Item	Part number	Description
1	ENM10094204	TTO - XS - MUI POE PCB
2	ENM10080755	TTO - XS - MUI MOTHERBOARD PCB
3	ENM10104226	X45 X65 Controller Board Assy Spare



# Controller

## Controller PSU

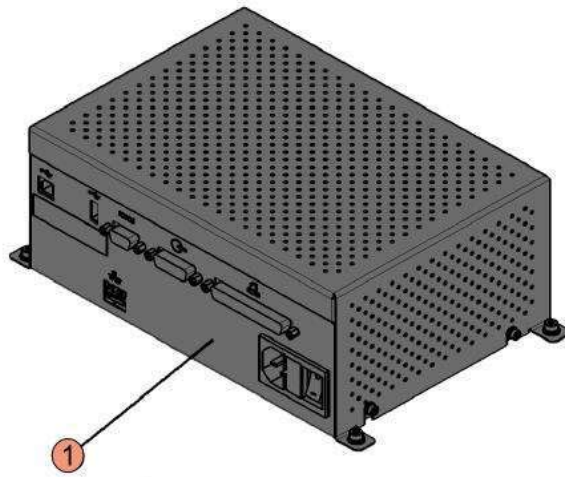


TV02071

Item	Part number	Description
1	ENM10103539	MUI X65 PSU Assembly
2	ENM10101279	TTO - XS - MUI HEATSINK KIT

# Controller

## SDX65 OEM Connect Controller Assembly



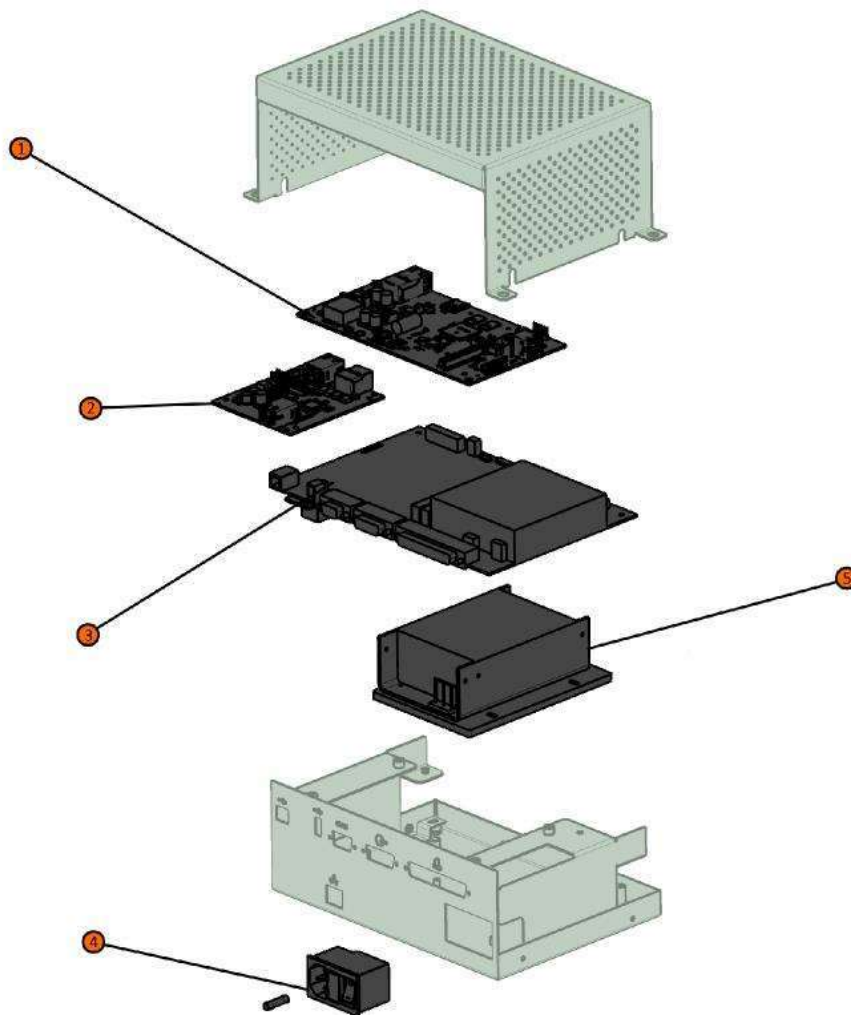
TV02643

---

Item	Part number	Description
1	ENM10107328	SPARE X65 OEM CONNECT CONTROLLER

# Controller

## SDX65 OEM Connect PCB Assemblies

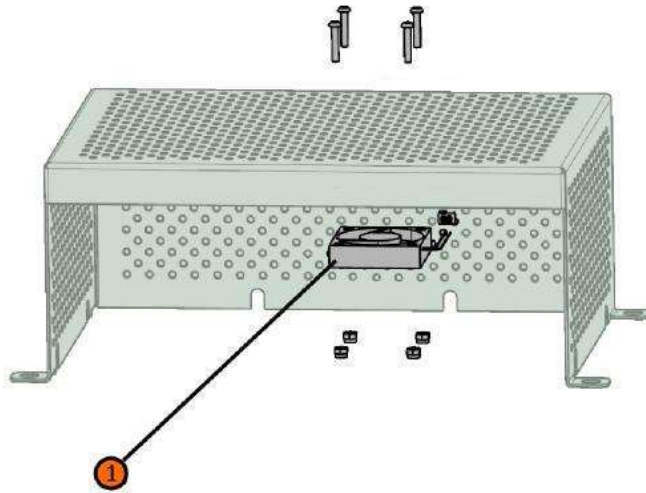


TV02644

Item	Part number	Description
1	ENM10080755	TTO - XS - MUI MOTHERBOARD PCB
2	ENM10094204	TTO - XS - MUI POE PCB
3	ENM10104226	X45 X65 Controller Board Assy Spare
4	ENM10055578	Power Entry Spares Kit
5	ENM10109129	X65 OEM PSU ASSY

# Controller

## SDX65 OEM Connect Fan Assembly



TV02645

Item	Part number	Description
1	ENM10110437	Axial Fan 40 x 40 x 10 12Vdc Assy

# Controller

## SDX65 OEM Connect Internal Cables and Fastners Kits



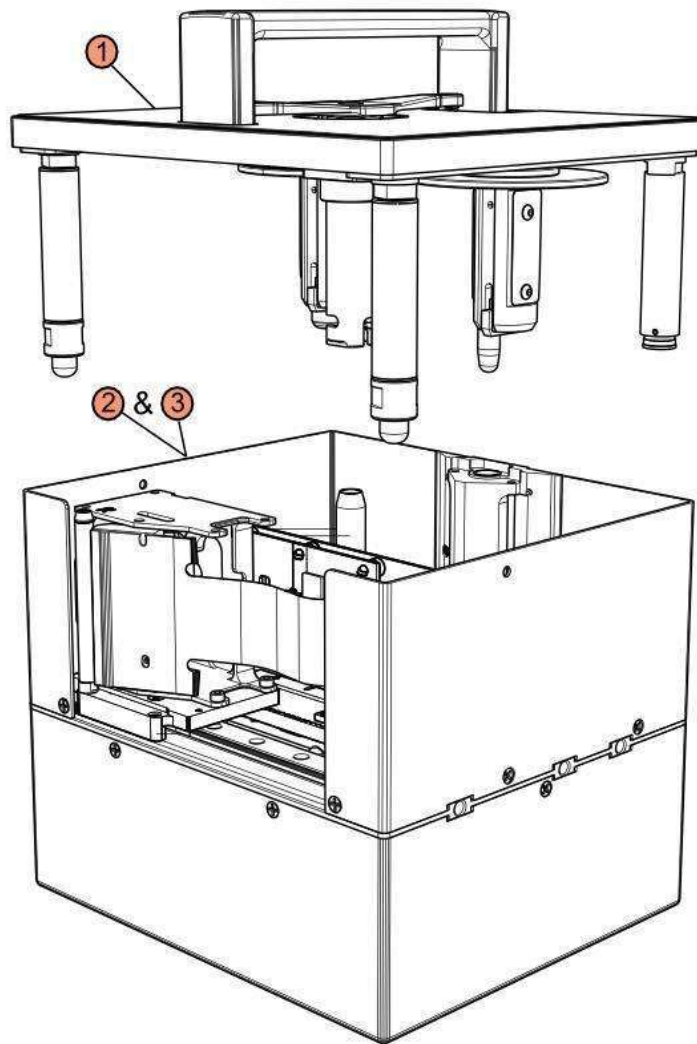
TV026426

Item	Part number	Description
1	ENM10108014	X65 OEM Connect Internal Cables Kit



# Printers & Cassettes

## 53mm Combined Printer (Right Hand)

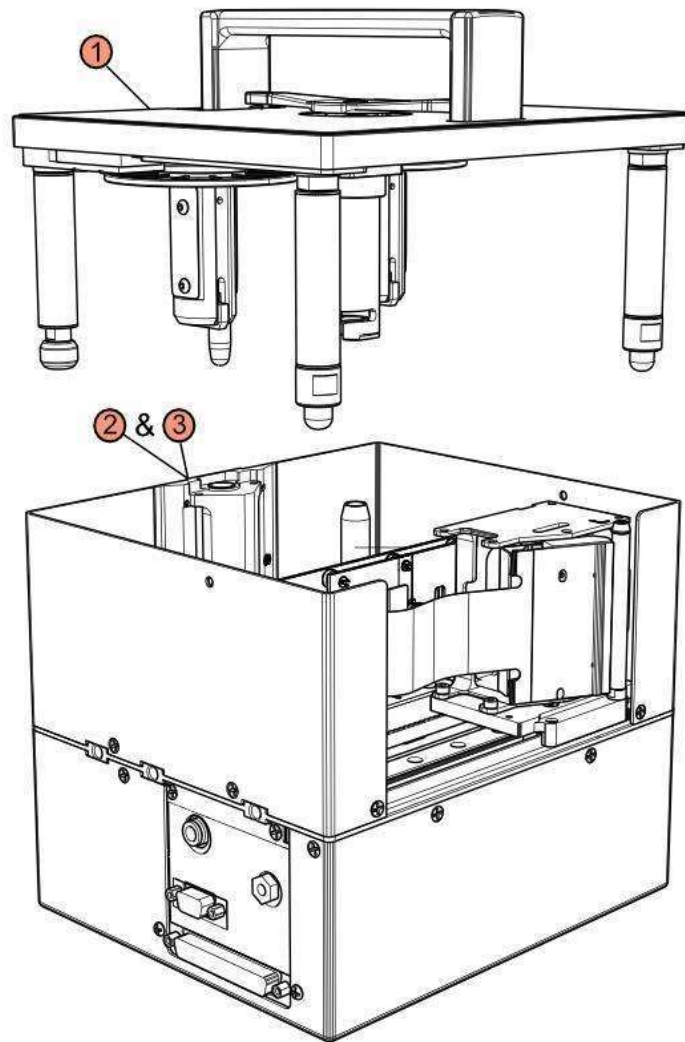


TV02081

Item	Part number	Description
1	ENM10098425	SPARE SDX65 COMB 53MM RH CASS ONLY
2	ENM10098417	SPARE SDX65 COMB 53HE RH PRTR ONLY
3	ENM10098409	SPARE SDX65 COMB 53MM RH PRTR ONLY

# Printers & Cassettes

## 53mm Combined Printer and Cassette (Left Hand)

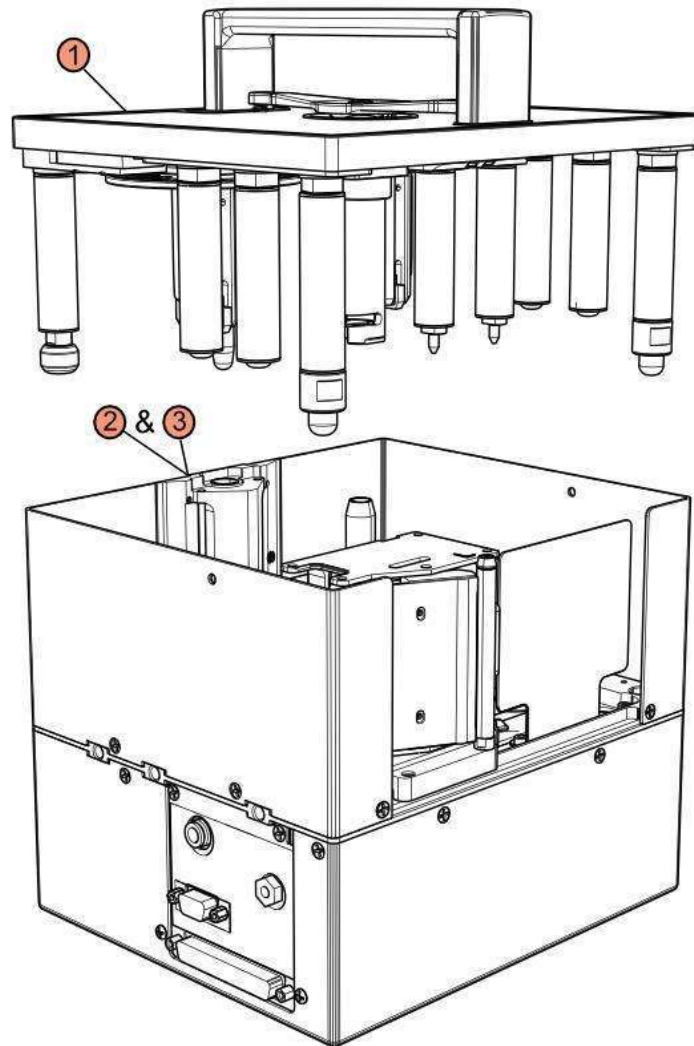


TV02082

Item	Part number	Description
1	ENM10098424	SPARE SDX65 COMB 53MM LH CASS ONLY
2	ENM10098416	SPARE SDX65 COMB 53HE LH PRTR ONLY
3	ENM10098408	SPARE SDX65 COMB 53MM LH PRTR ONLY

# Printers & Cassettes

## 53mm Shuttled Printer and Cassette (Left hand)

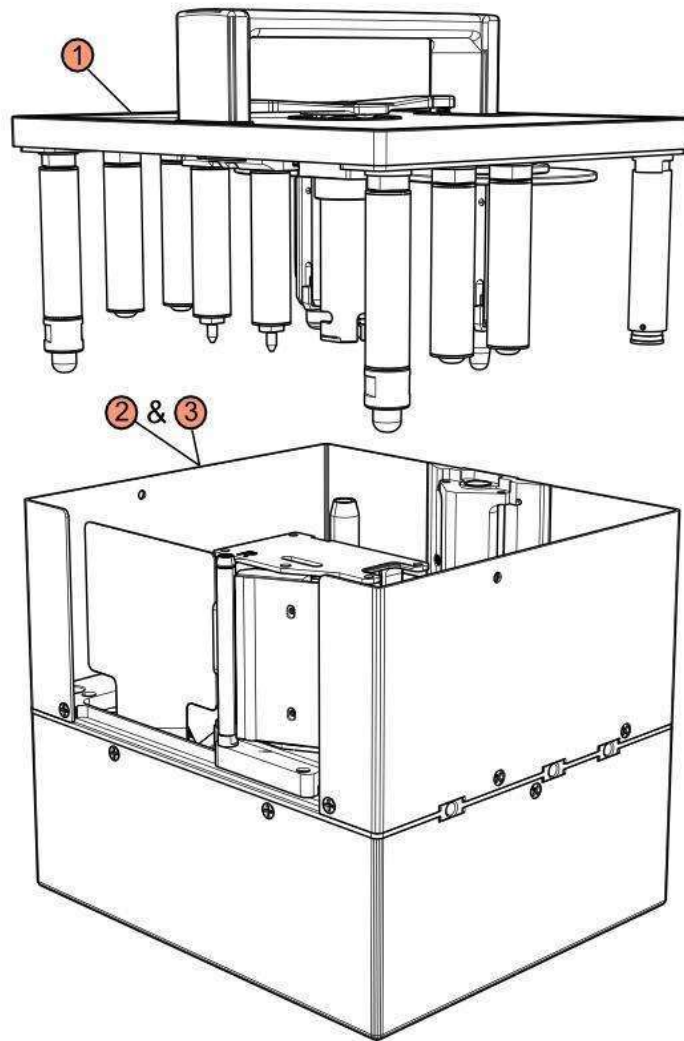


TV02083

Item	Part number	Description
1	ENM10098422	SPARE SDX65 SHUT 53MM LH CASS ONLY
2	ENM10098412	SPARE SDX65 SHUT 53MM HE LH PRTR ONLY
3	ENM10098406	SPARE SDX65 SHUT 53MM LH PRTR ONLY

# Printers & Cassettes

## 53mm Shuttled Printer and Cassette (Right Hand)

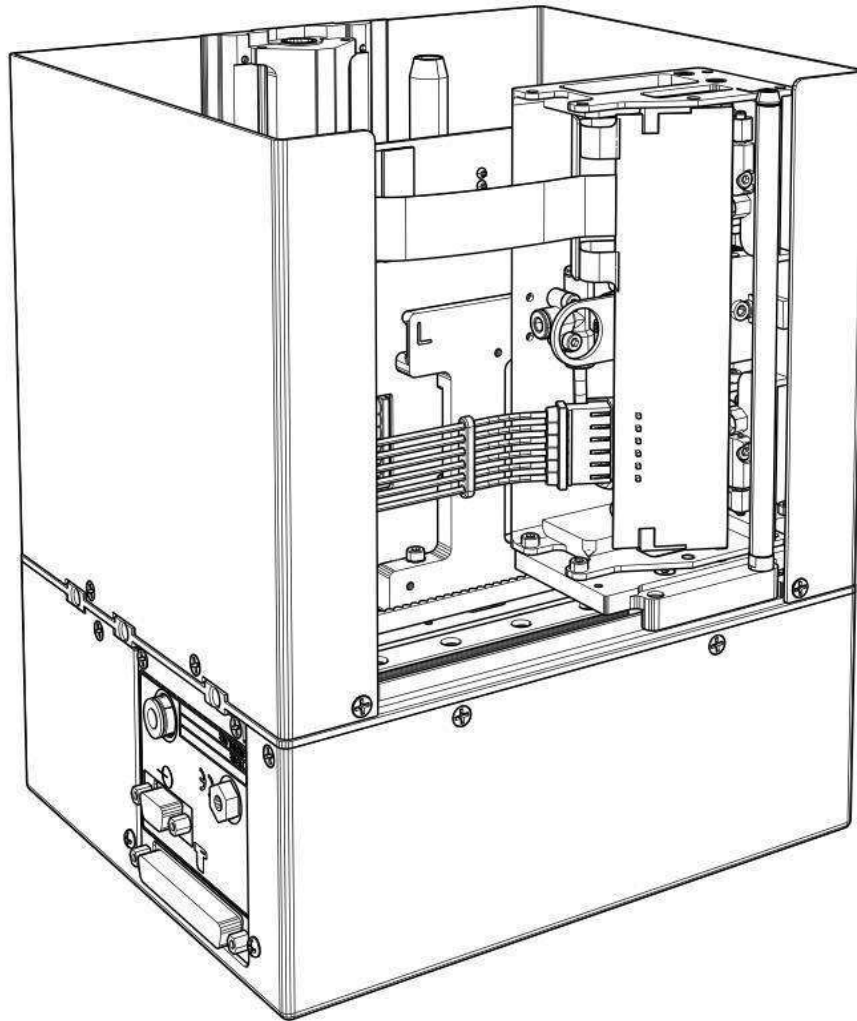


TV02084

Item	Part number	Description
1	ENM10098423	SPARE SDX65 SHUT 53MM RH CASS ONLY
2	ENM10098413	SPARE SDX65 SHUT 53MM HE RH PRTR ONLY
3	ENM10098407	SPARE SDX65 SHUT 53MM RH PRTR ONLY

# Printers & Cassettes

## 128mm Printer (Left Hand)



TV02085

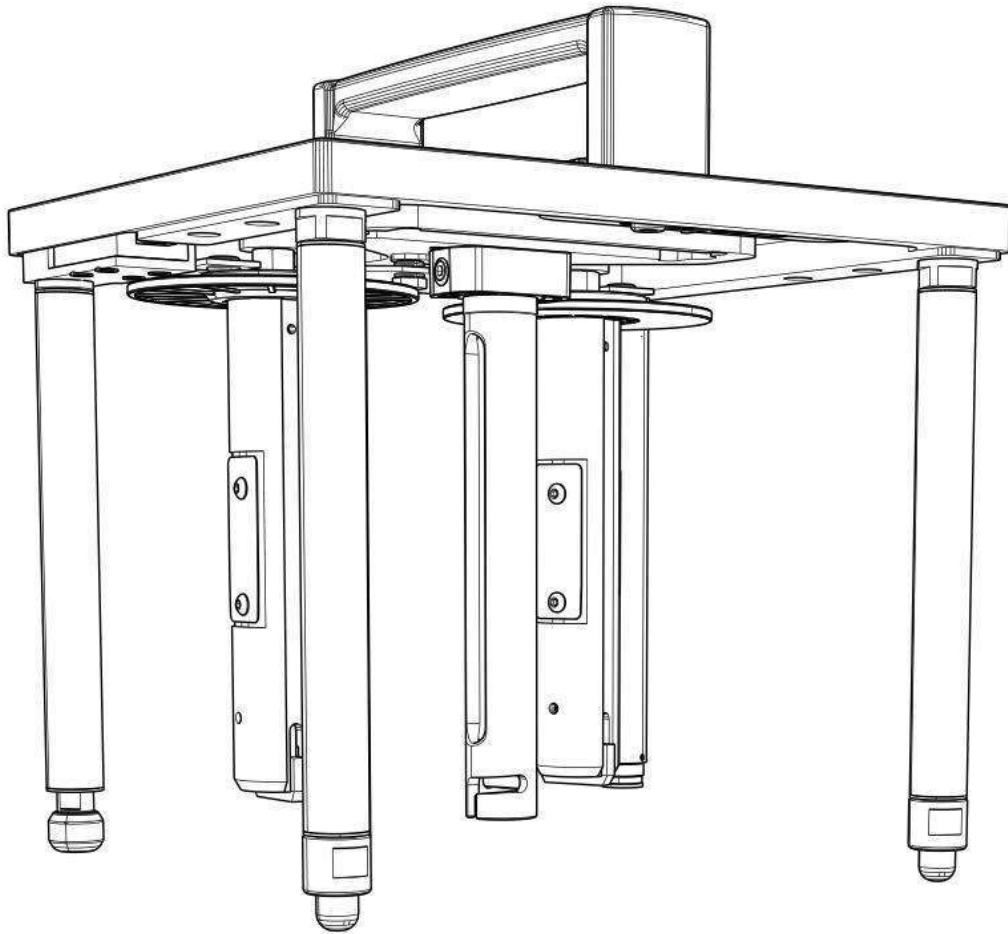
---

Item	Part number	Description
1	ENM10098410	SPARE SDX65 COMB 128MM LH.PRTR ONLY



# Printers & Cassettes

## 128mm Ribbon Cassette (Left Hand)

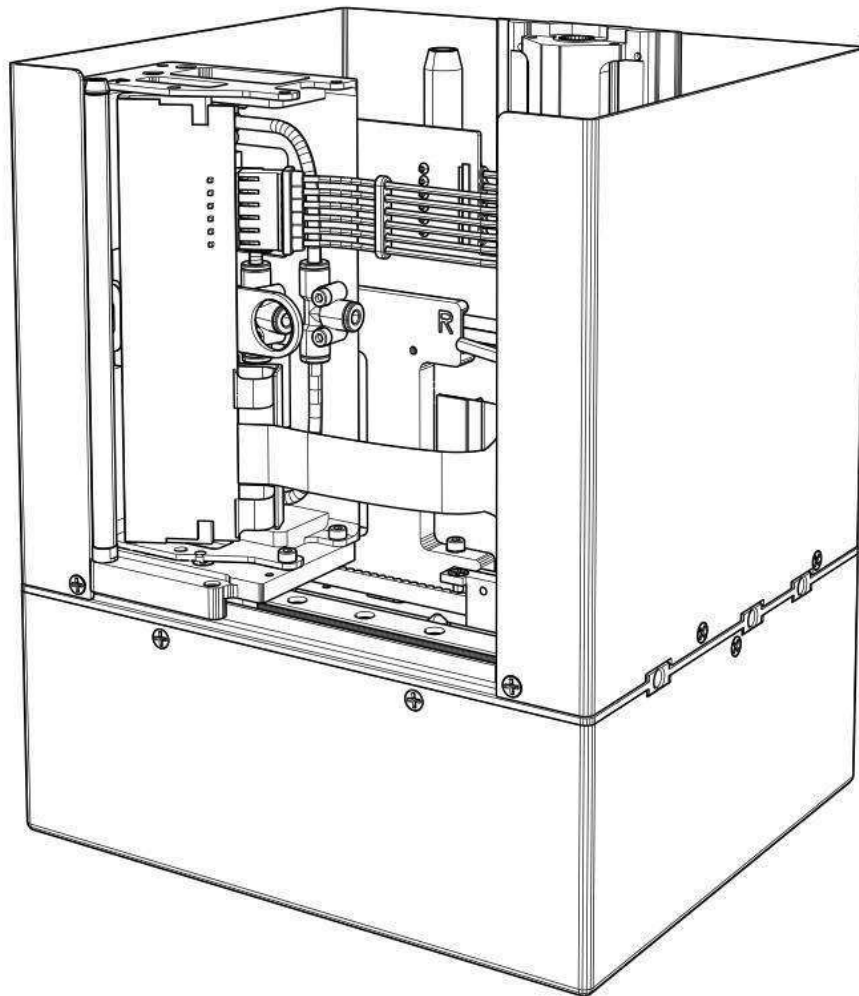


TV02086

Item	Part number	Description
1	ENM10098426	SPARE SDX65 COMB. 128MM LH. CASS ONLY

# Printers & Cassettes

## 128mm Printer (Right Hand)



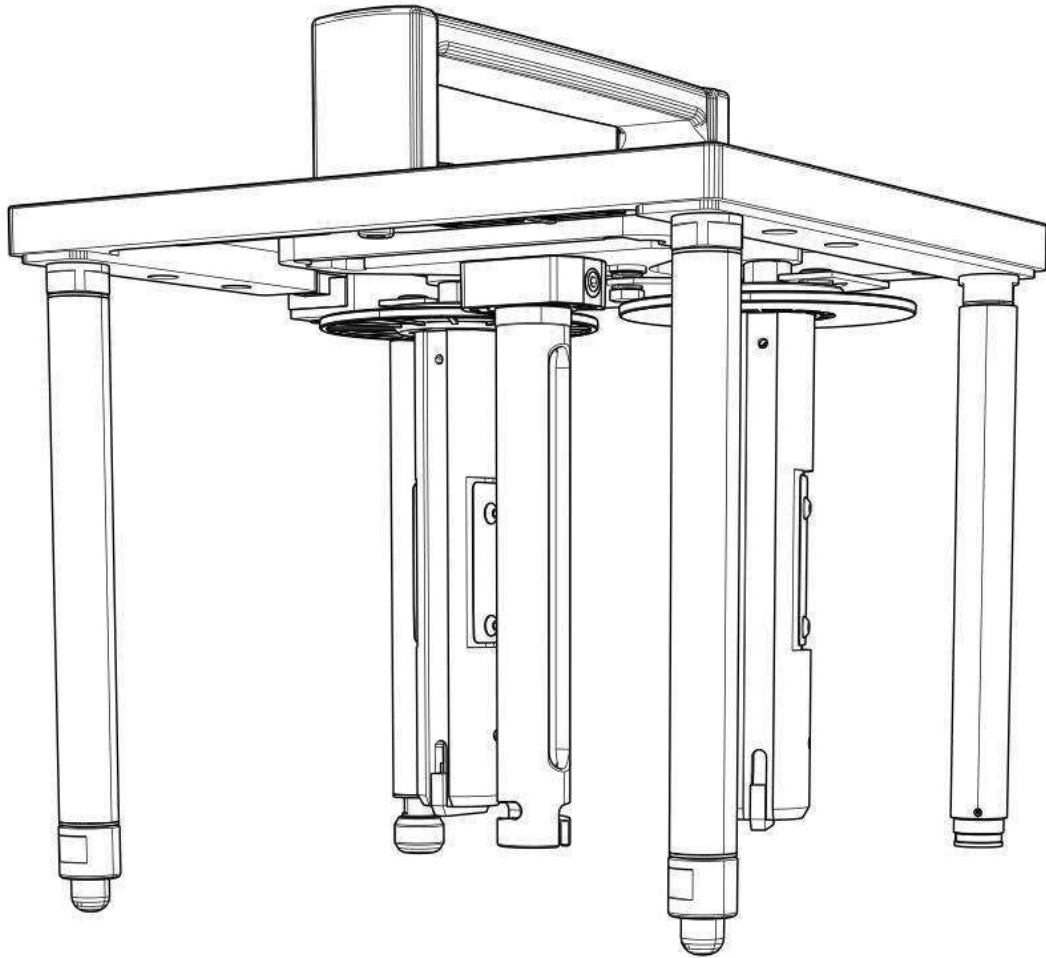
TV02087

---

Item	Part number	Description
1	ENM10098411	SPARE SDX65 COMB 128MM RH.PRTR ONLY

# Printers & Cassettes

## 128mm printer cassette (Right hand)

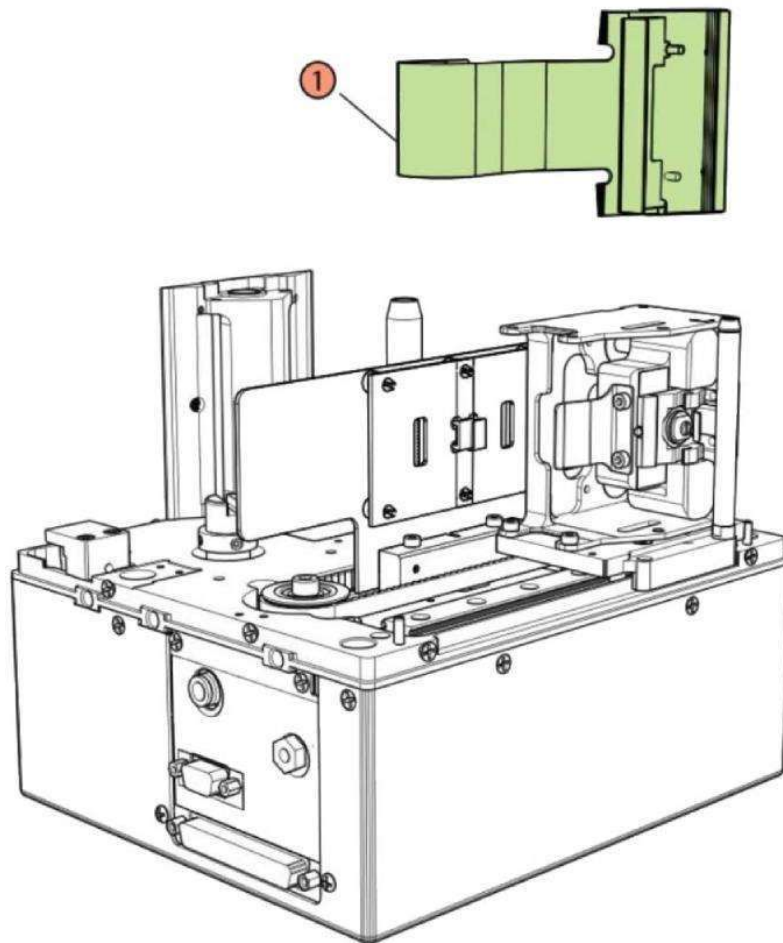


TV02088

Item	Part number	Description
1	ENM10098427	SPARE SDX65 COMB. 128MM RH CASS ONLY

# Non Shuttled Printers

## 53mm Printhead assembly

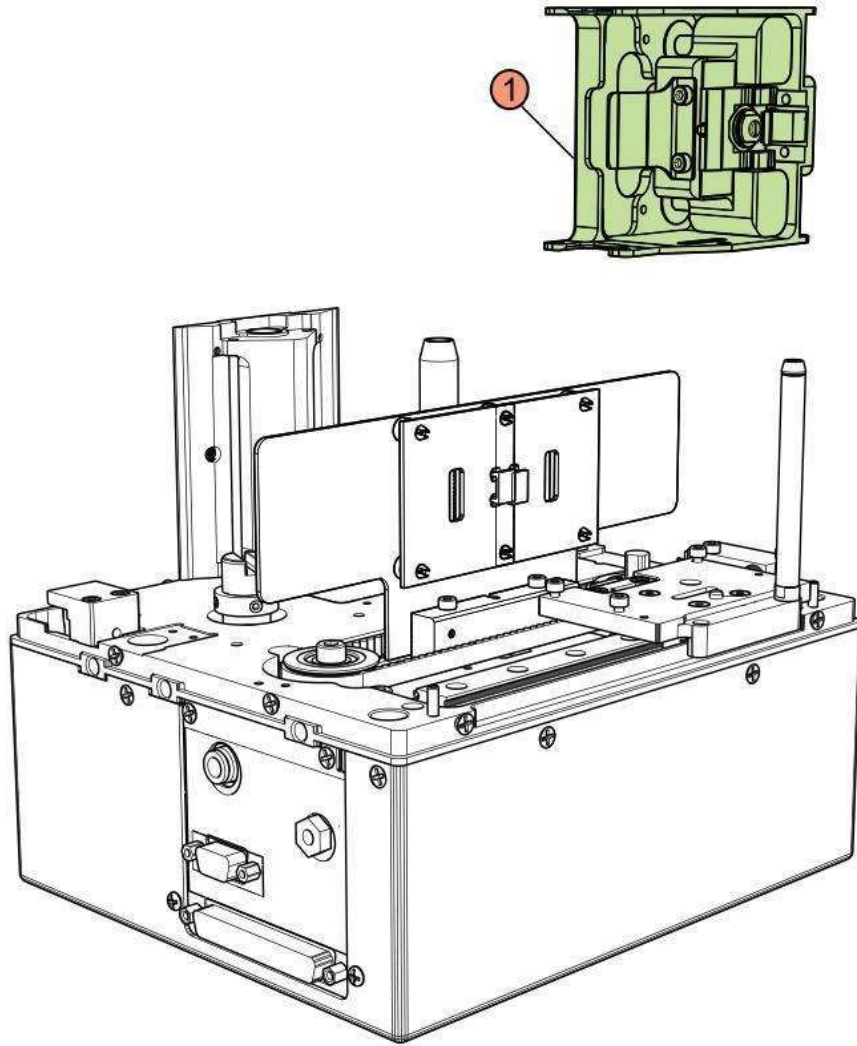


TV02112

Item	Part number	Description
1	ENM10104651	TTO - X-Series Printhead 53mm High Energy
1	ENM10104650	TTO - X-Series Printhead 53mm High Speed
1	ENM10104642	X-Series Printhead 53mm Integrated Flex
1	ENM10104648	X-Series Printhead 53mm Wear Resistant
1	ENM10108055	X-Series Printhead 53mm Xtreme
1	ENM10108053	X-Series Printhead Xtreme-Plus

# Non Shuttled Printers

## Print module assembly



TV02113

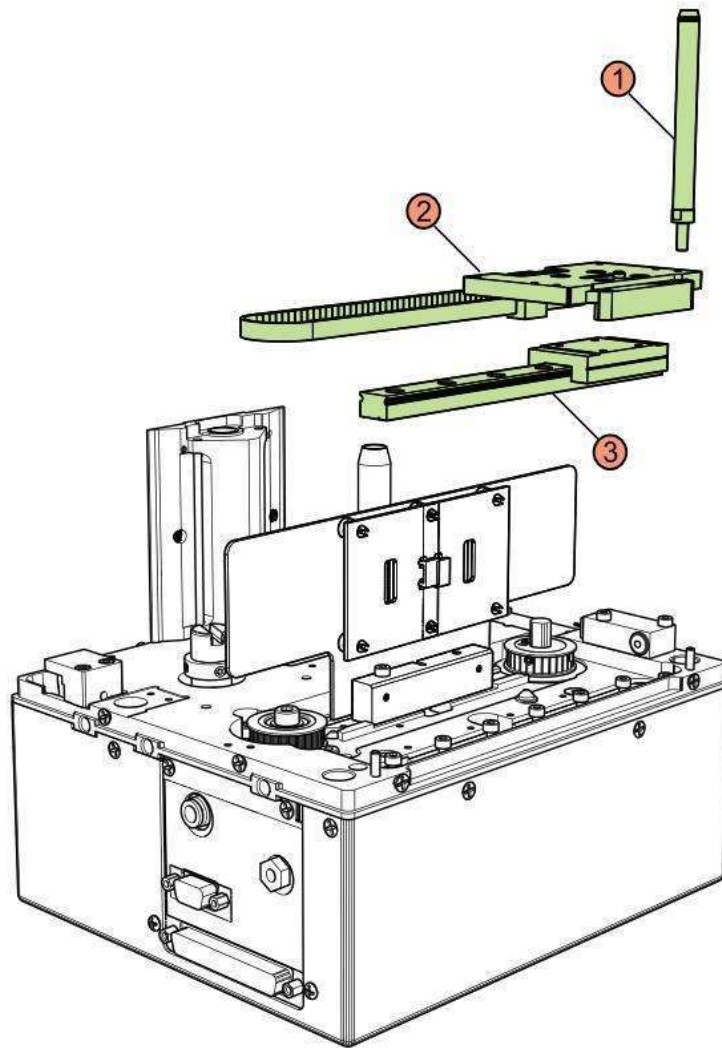
---

Item	Part number	Description
1	ENM10055040	Print module assembly



# Non Shuttled Printers

## Peel roller & print module carriage assembly

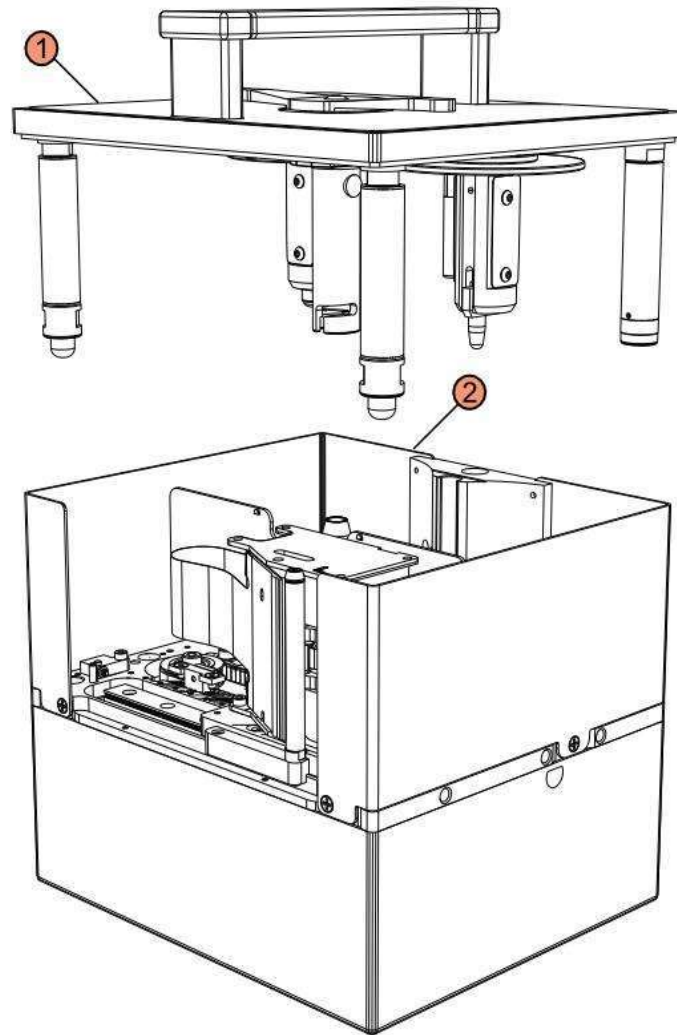


TV02114

Item	Part number	Description
1	5825546	Peel roller assembly
2	ENM10026503	Printhead module assembly
3	5210986	Guide rail & carriage assembly

# Non Shuttled Printers

## 53mm Intermittent printer (Left hand)

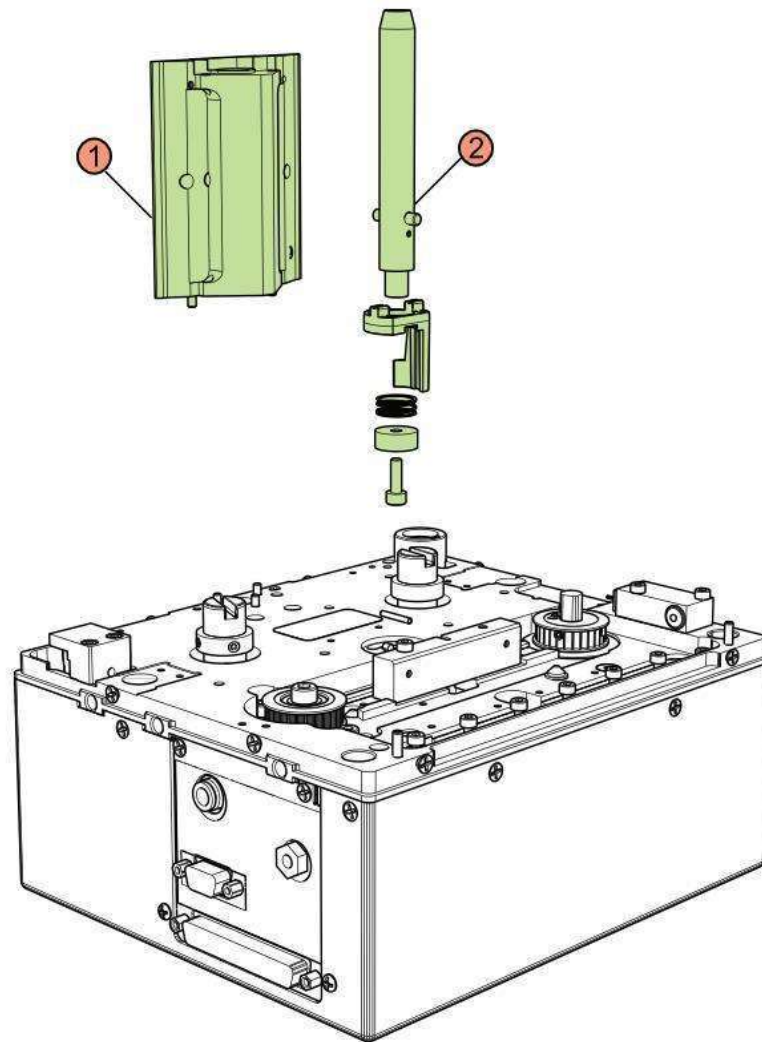


TV02015

Item	Part number	Description
1	10054388	53mm Cassette (Left hand)
2	10054390	53mm Intermittent printer (Left hand)

# Non Shuttled Printers

## Mounting bracket assembly

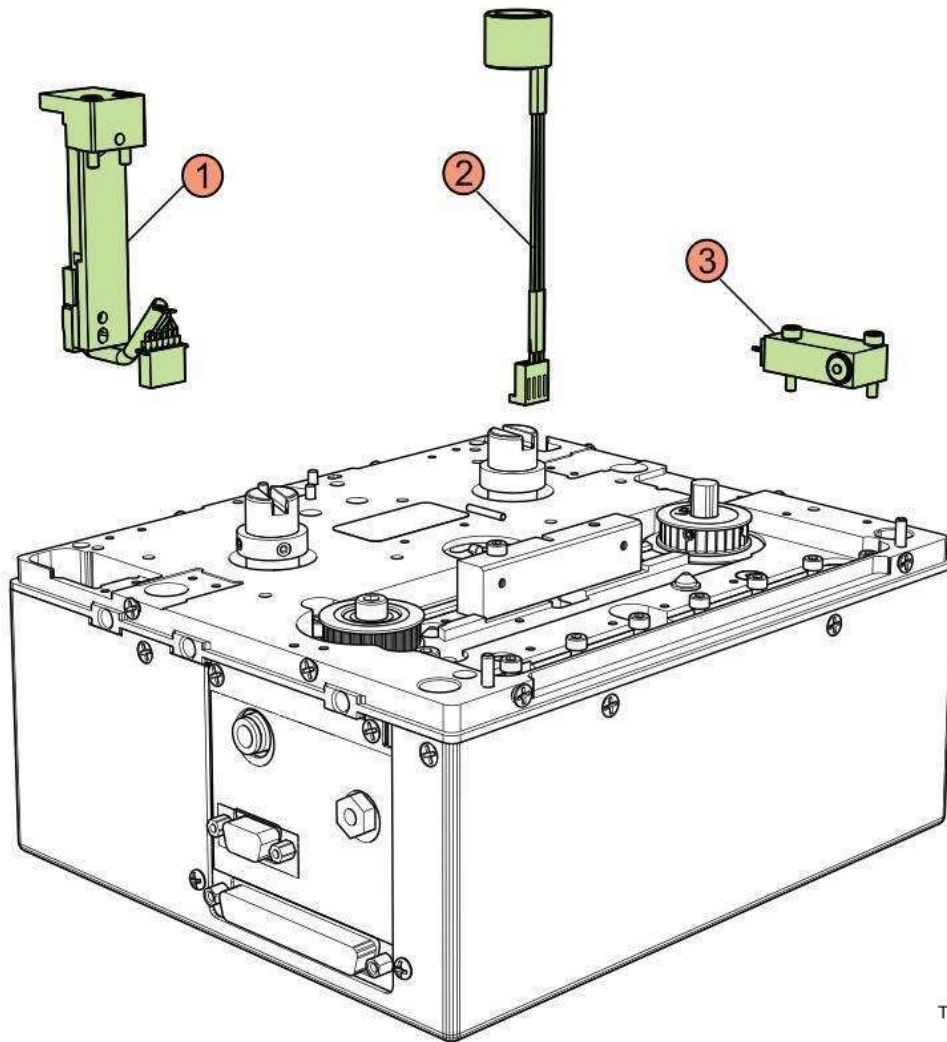


TV02116

Item	Part number	Description
1	10009929	Mounting bracket assembly
2	ENM10055579	Printer latch shaft assembly

# Non Shuttled Printers

## Movement sensor assembly

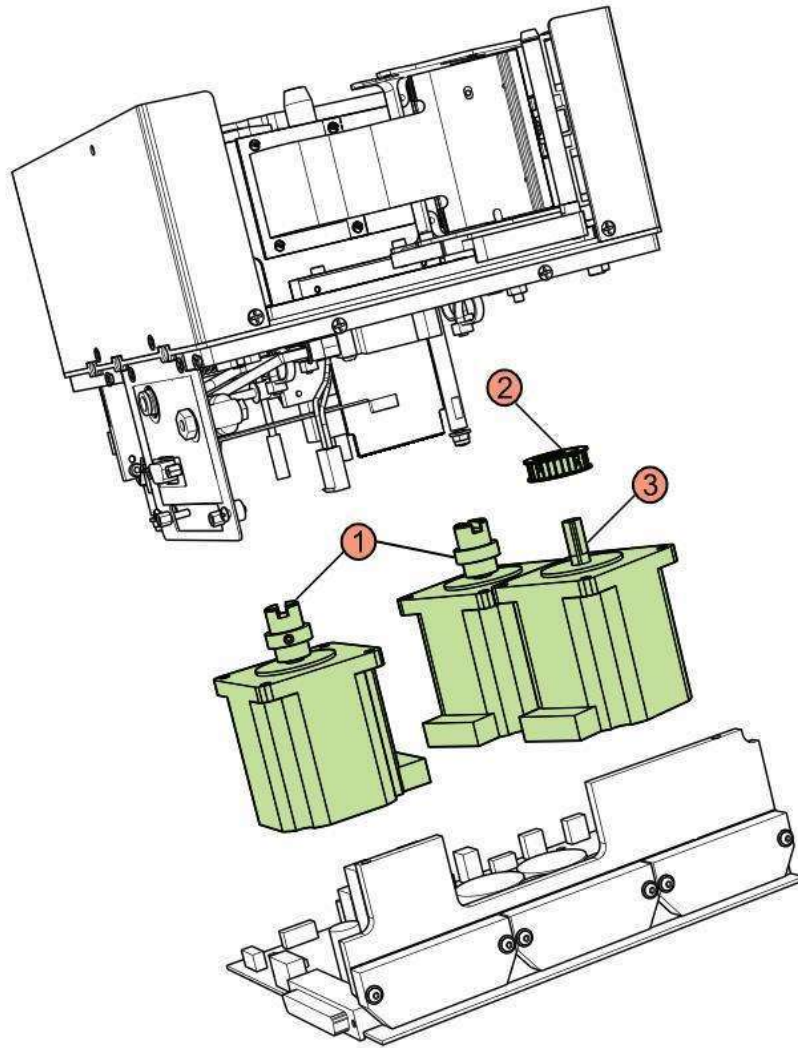


TV02117

Item	Part number	Description
1	ENM10058633	Tension sensor assembly
2	10038761	Ribbon movement sensor assembly
3	5825050	Pin plunger microswitch

# Non Shuttled Printers

## Carriage motor assembly

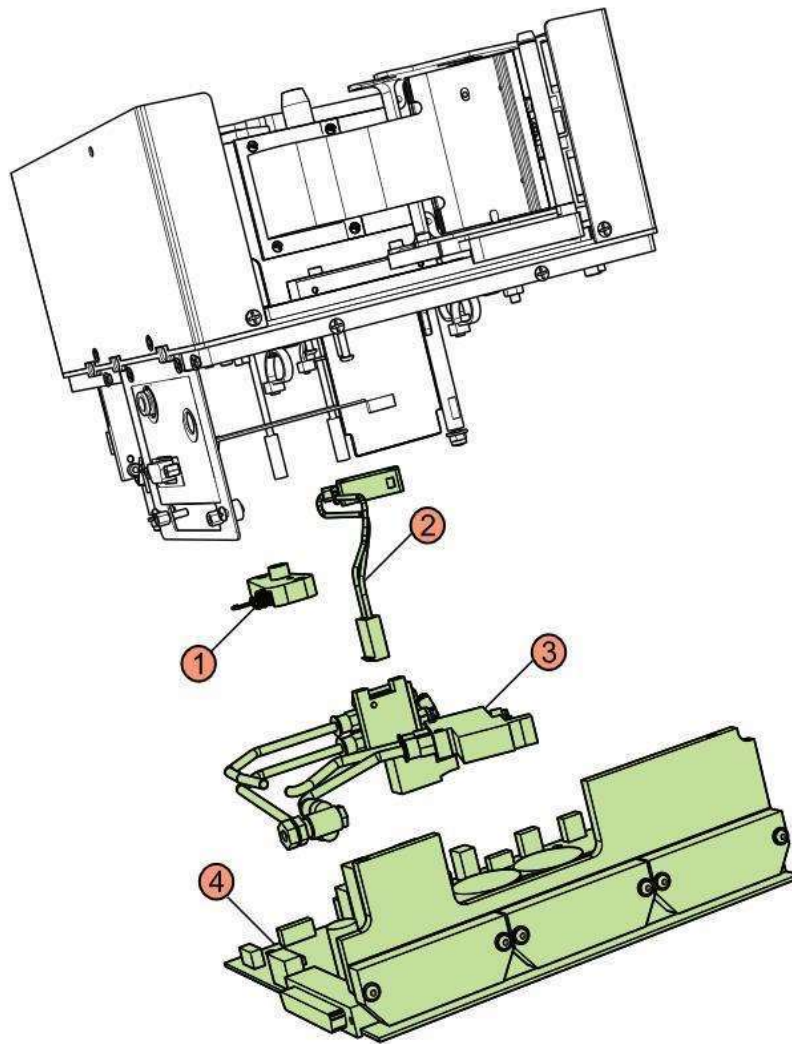


TV02118

Item	Part number	Description
1	ENM10055581	Ribbon motor assembly
2	5825294	Idler pulley assembly
3	ENM10055582	Carriage motor assembly

# Non Shuttled Printers

## Printer PCB assembly



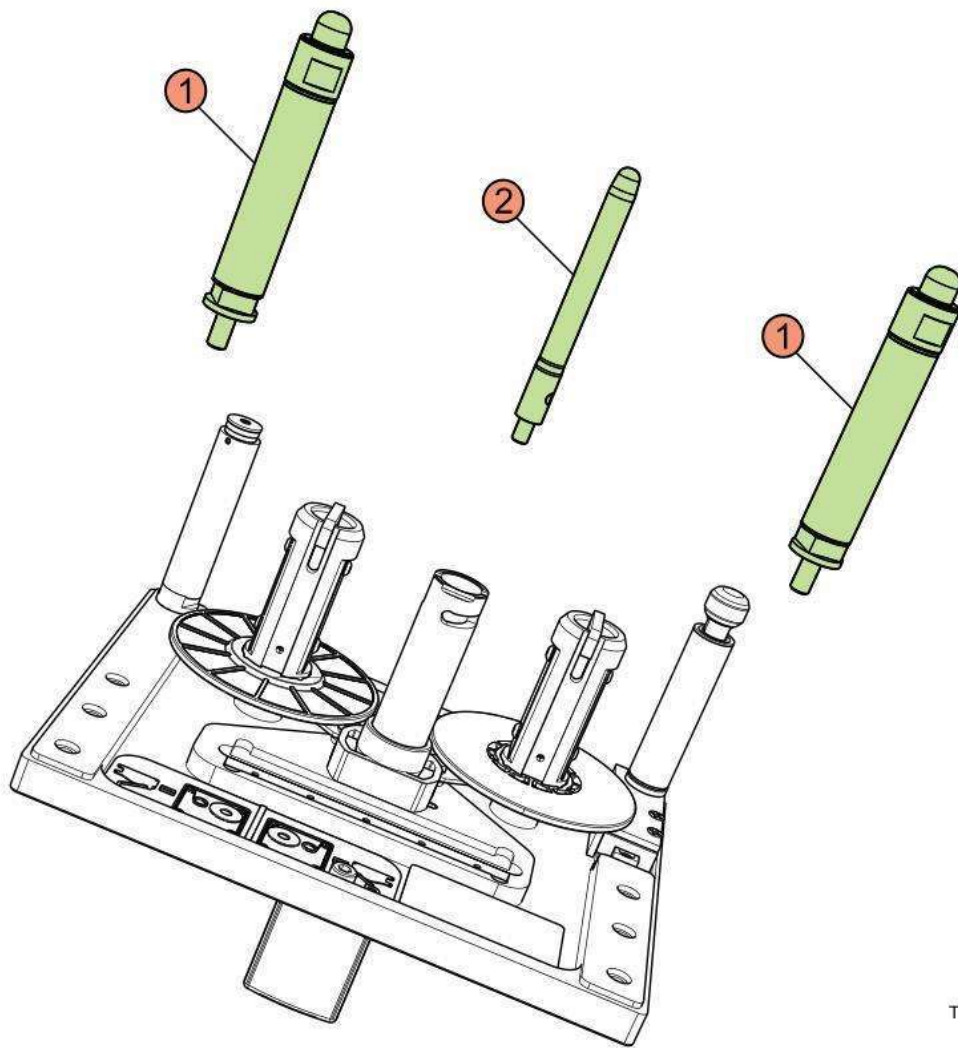
TV02119

Item	Part number	Description
1	10036435	Semi automatic belt tensioner
2	10047991	Cassette switch
3	ENM10041552	Pneumatics kit
4	ENM10062499	Printer PCB assembly



# Non Shuttled Cassettes

## Cassette locating pin



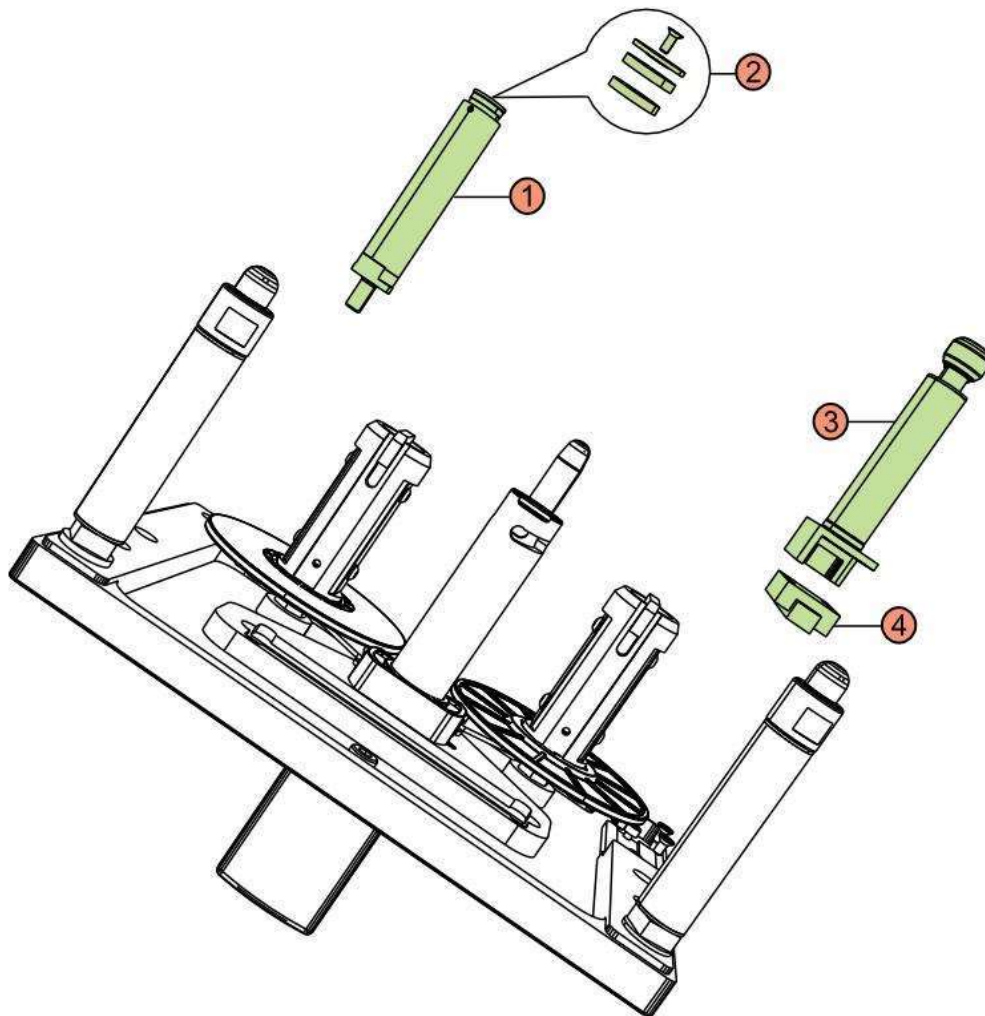
TV02130

Item	Part number	Description
1	10029510	Locating roller assembly
2	ENM10062724	Cassette locating pin



# Non Shuttled Cassettes

## Tension roller & slide kit

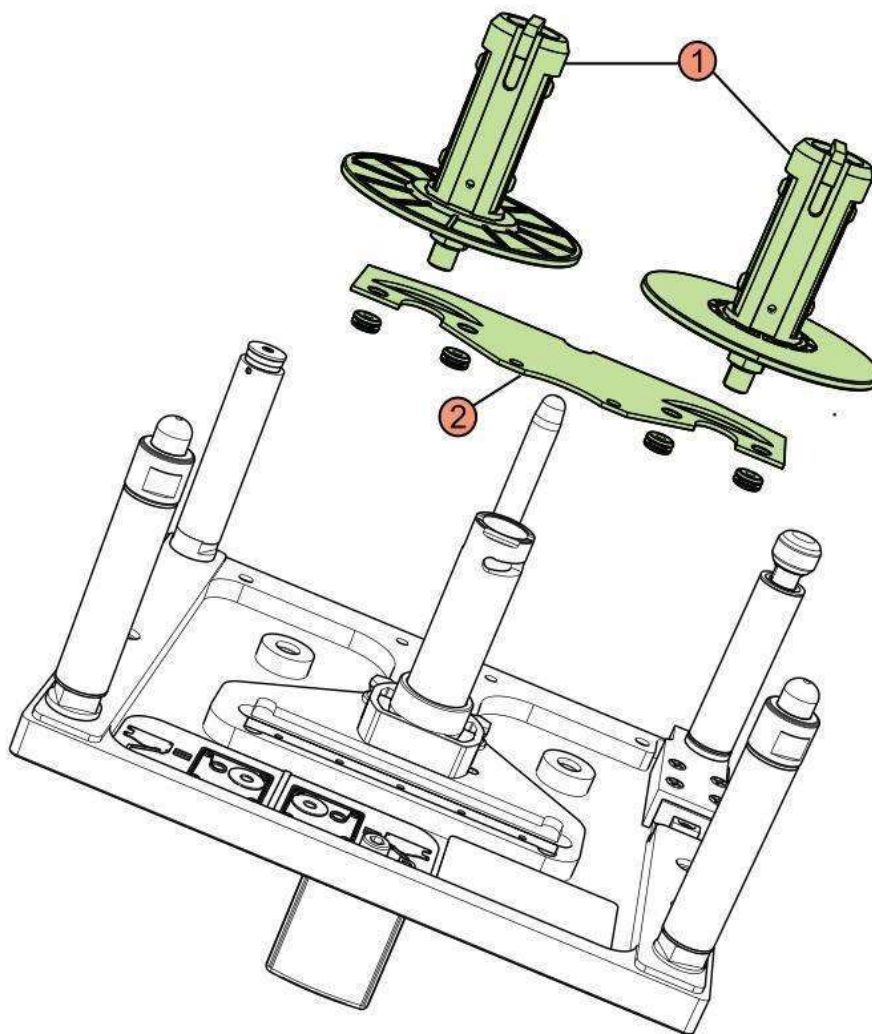


TV02131

Item	Part number	Description
1	10029512	Movement roller assembly
2	5825286	Movement roller magnet kit
3	10029511	Tension sensor roller assembly
4	5210989	Linear guide rail & carriage assembly

# Non Shuttled Cassettes

## Cassette brake plate assembly

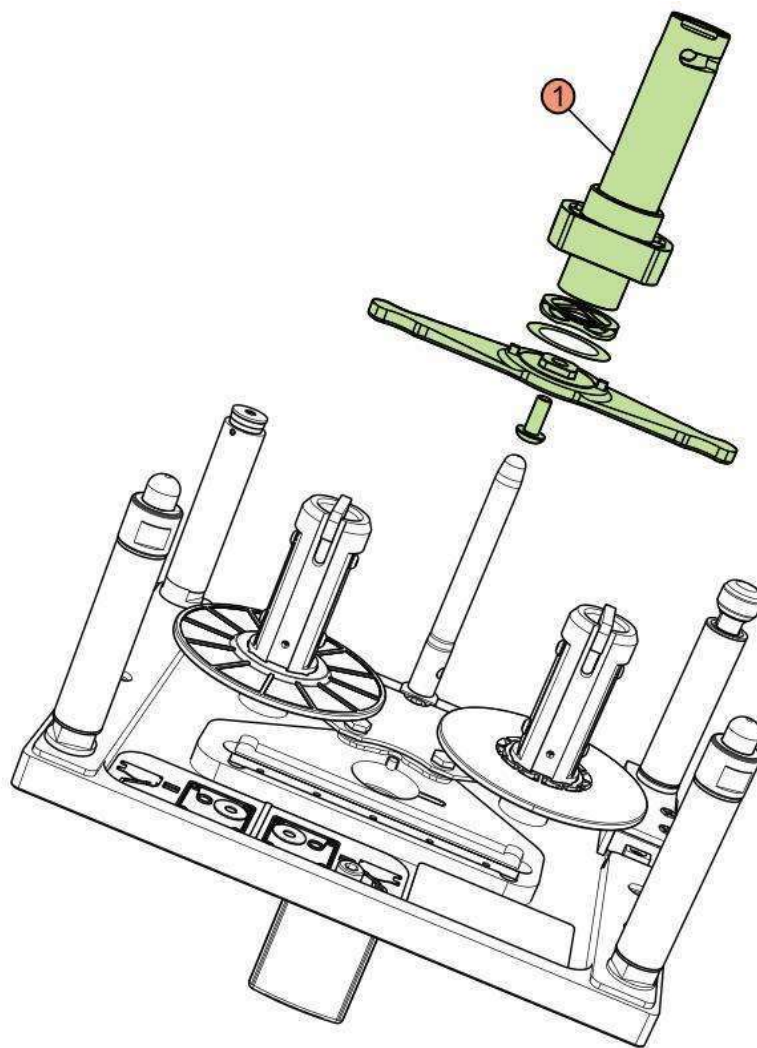


TV02132

Item	Part number	Description
1	ENM10053306	Ribbon supply & rewind assemblies (53mm)
2	ENM10023156	cassette brake plate assembly

# Non Shuttled Cassettes

## Latch tube assembly kit

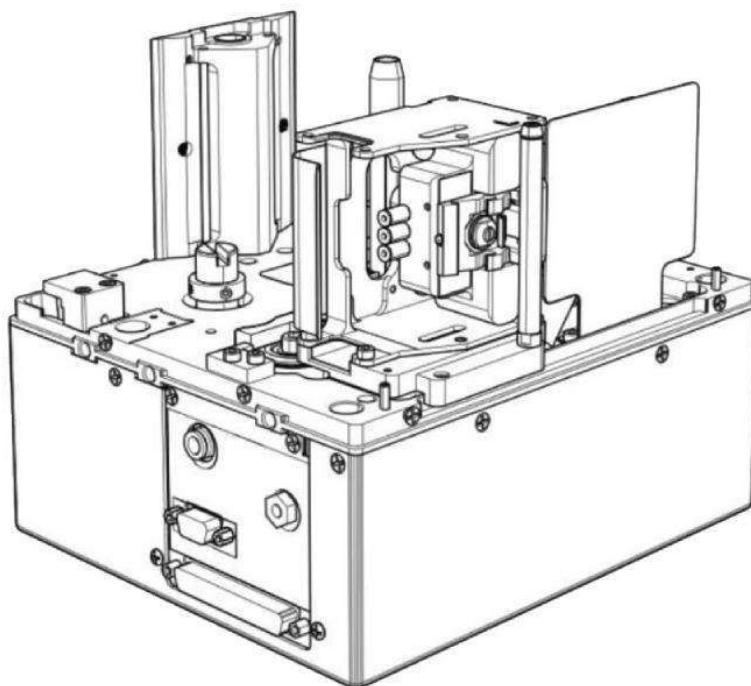
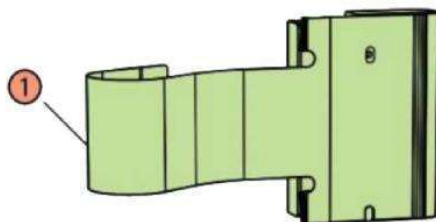


TV02133

Item	Part number	Description
1	ENM1005580	Latch tube assembly kit

# Shuttled Printers

## 53mm Printhead assembly

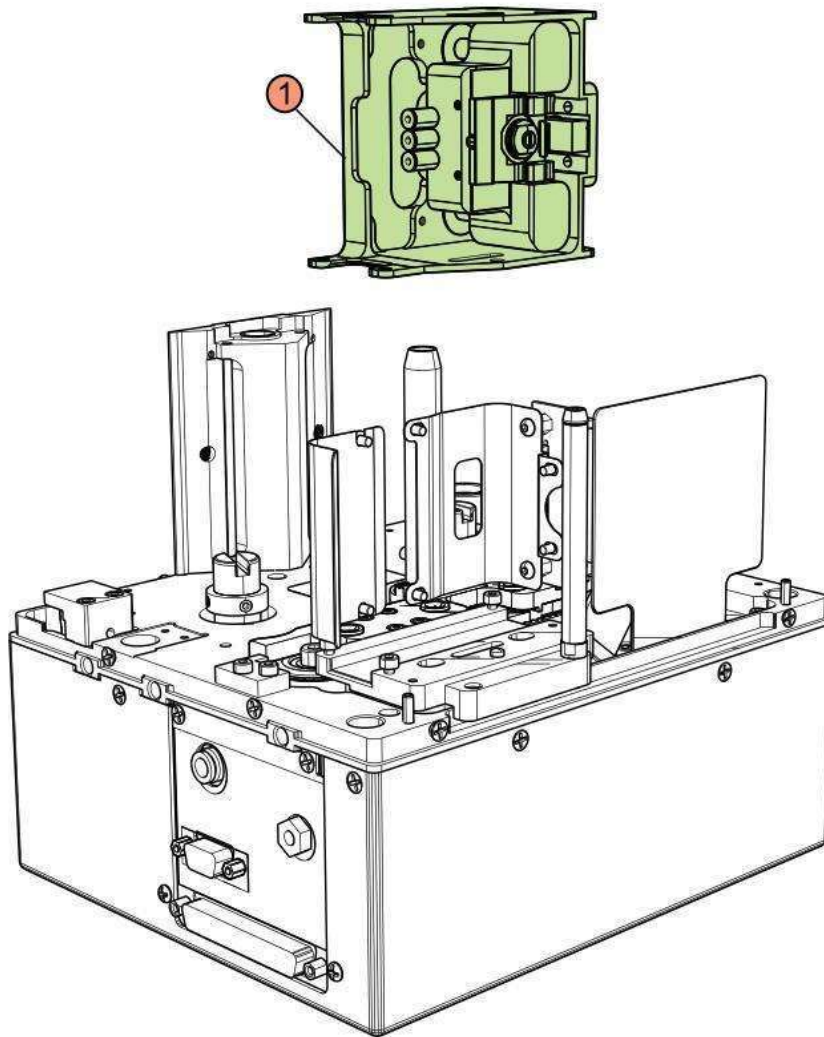


TV02120

Item	Part number	Description
1	ENM10104651	TTO - X-Series Printhead 53mm High Energy
1	ENM10104650	TTO - X-Series Printhead 53mm High Speed

# Shuttled Printers

## Print module assembly



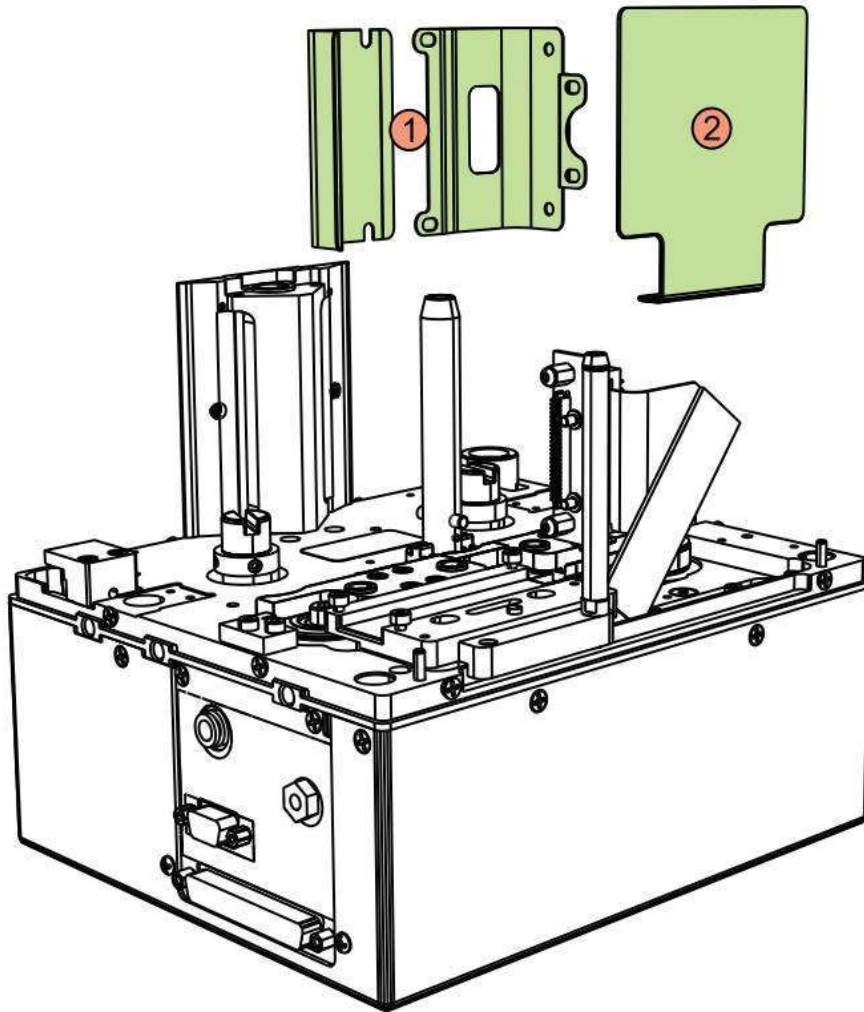
TV02121

---

Item	Part number	Description
1	ENM10055040	Print module assembly

# Shuttled Printers

## Shuttle guard



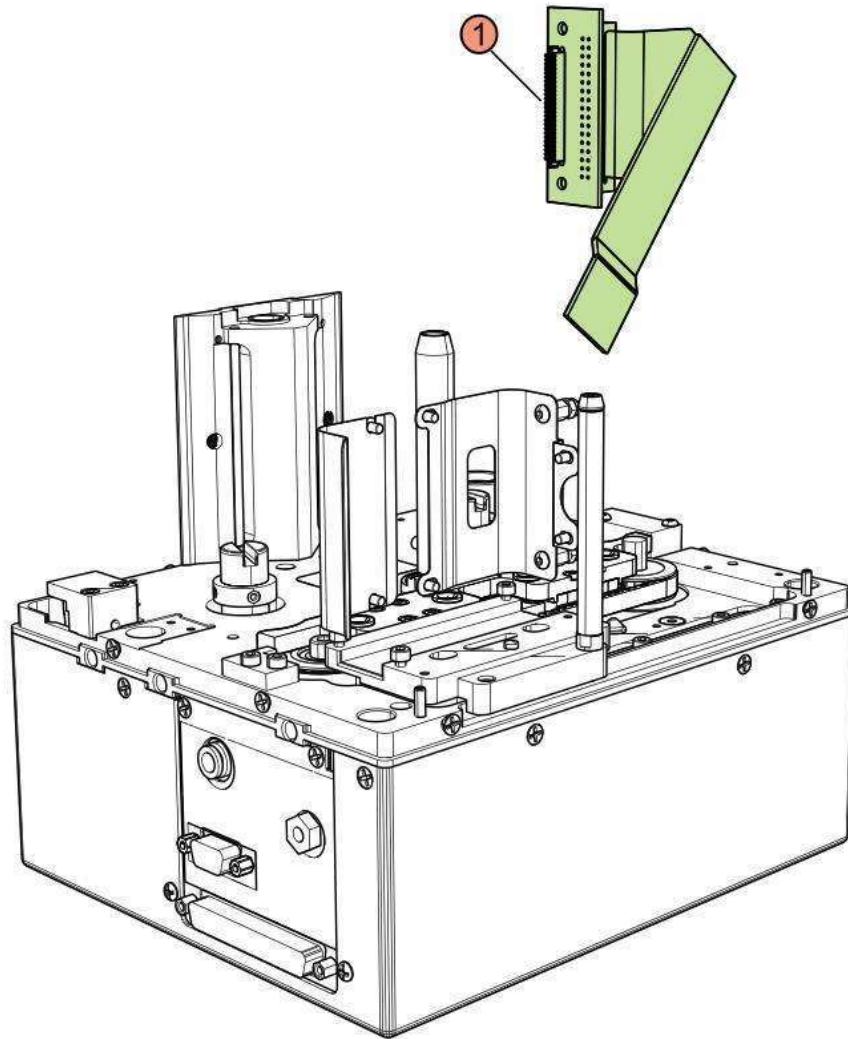
TV02122

Item	Part number	Description
1	ENM10075072	Shuttle guard kit
2	ENM5953225	Shuttle guard



# Shuttled Printers

## Transition PCB assembly



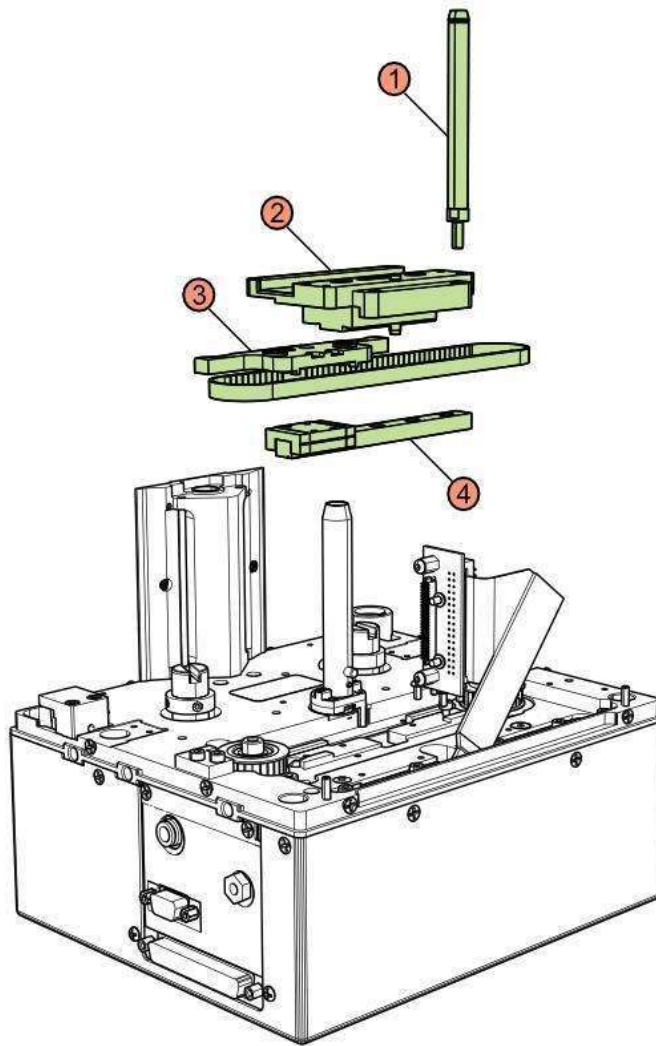
TV02123

Item	Part number	Description
1	ENM10053805	Transition PCB assembly



# Shuttled Printers

## Linear slide & carriage

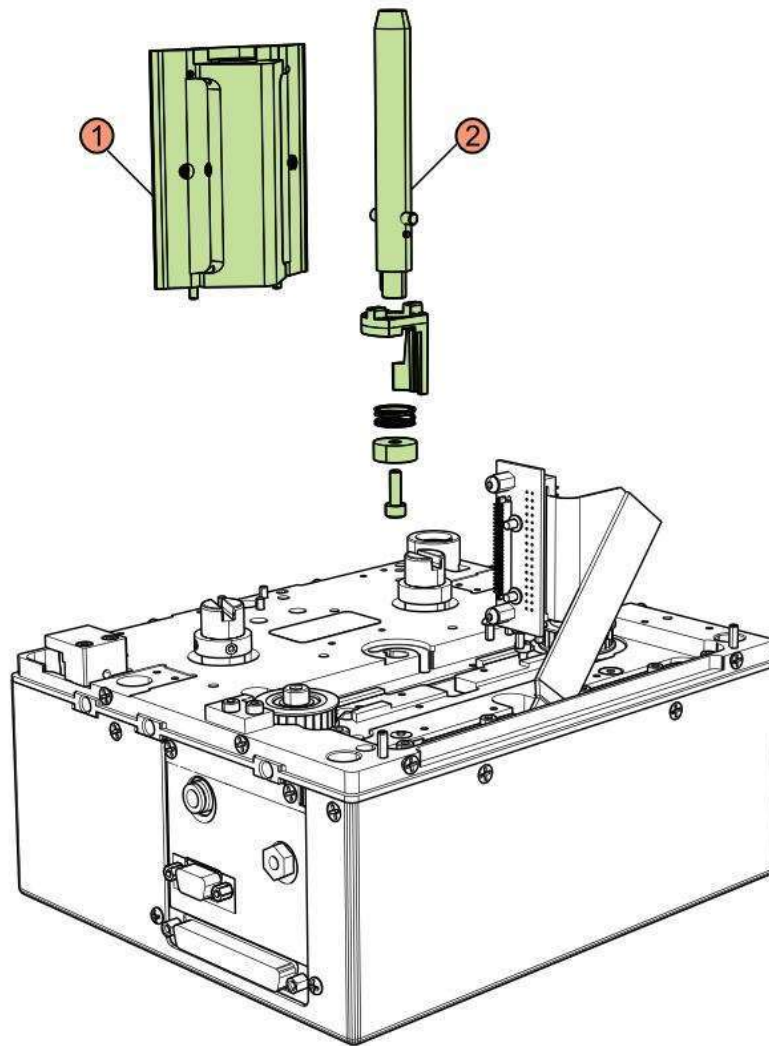


TV02124

Item	Part number	Description
1	5825546	Peel roller assembly
2	10042870	Shuttled printhead module mounting assembly
3	10026506	Printer shuttle carriage assembly
4	5210982	Linear slide & carriage

# Shuttled Printers

## Ribbon motor assembly

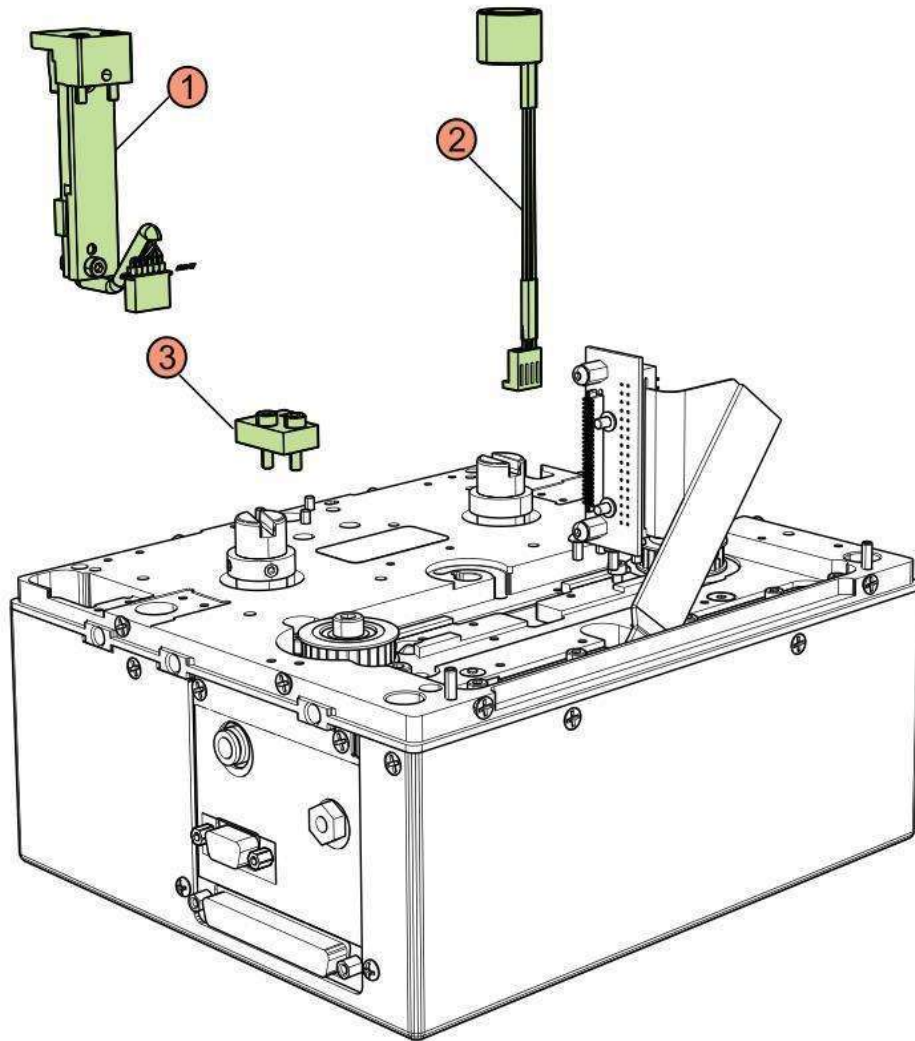


TV02125

Item	Part number	Description
1	10009929	Mounting bracket assembly
2	ENM1005579	Printer latch shaft assembly

# Shuttled Printers

## Pin plunger microswitch

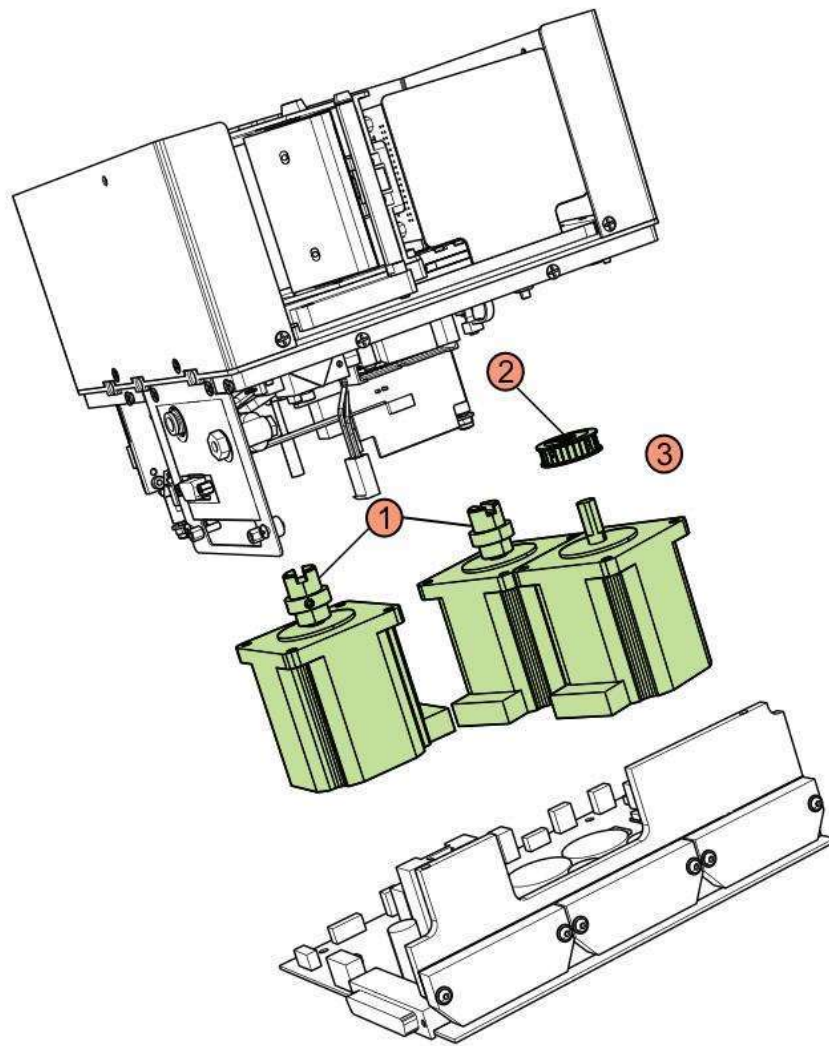


TV02126

Item	Part number	Description
1	ENM10058633	Tension sensor assembly
2	10038761	Ribbon movement sensor assembly
3	5825050	Pin plunger microswitch

# Shuttled Printers

## Carriage motor assembly

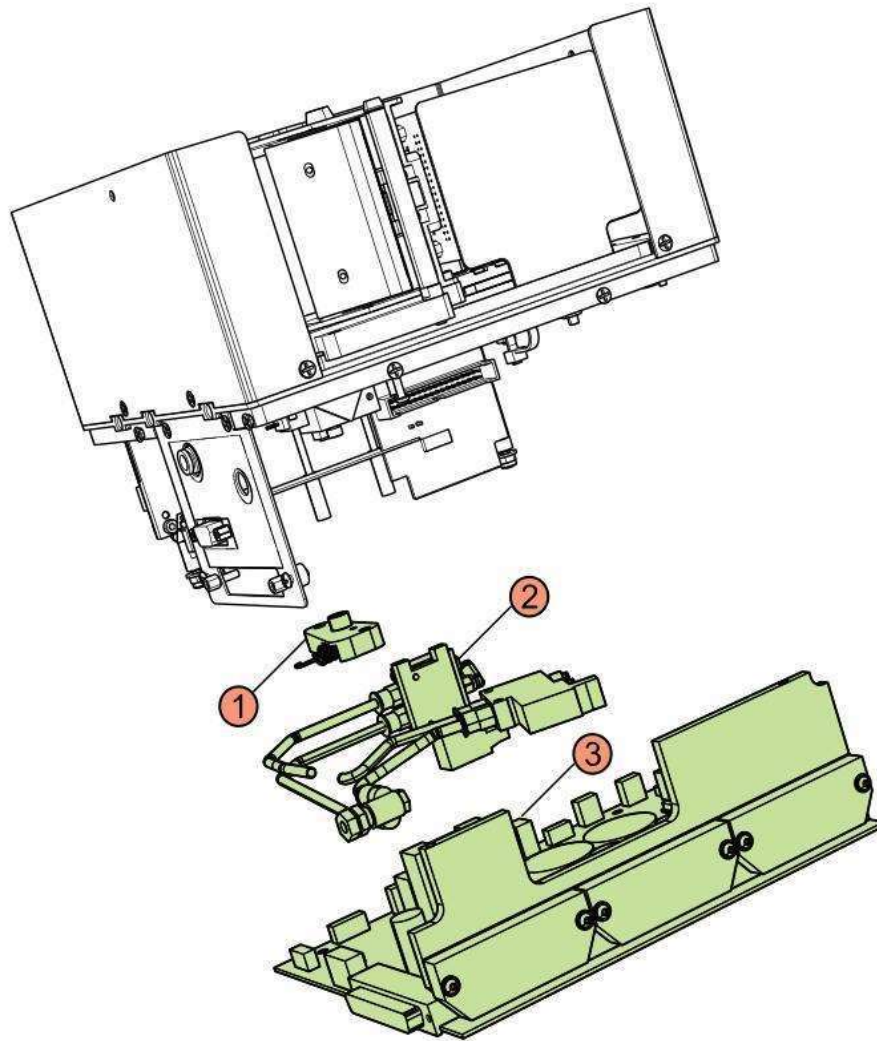


TV02127

Item	Part number	Description
1	ENM10055581	Ribbon motor assembly
2	5825294	Idler pulley assembly
3	ENM10055582	Carriage motor assembly

# Shuttled Printers

## Printer PCB assembly

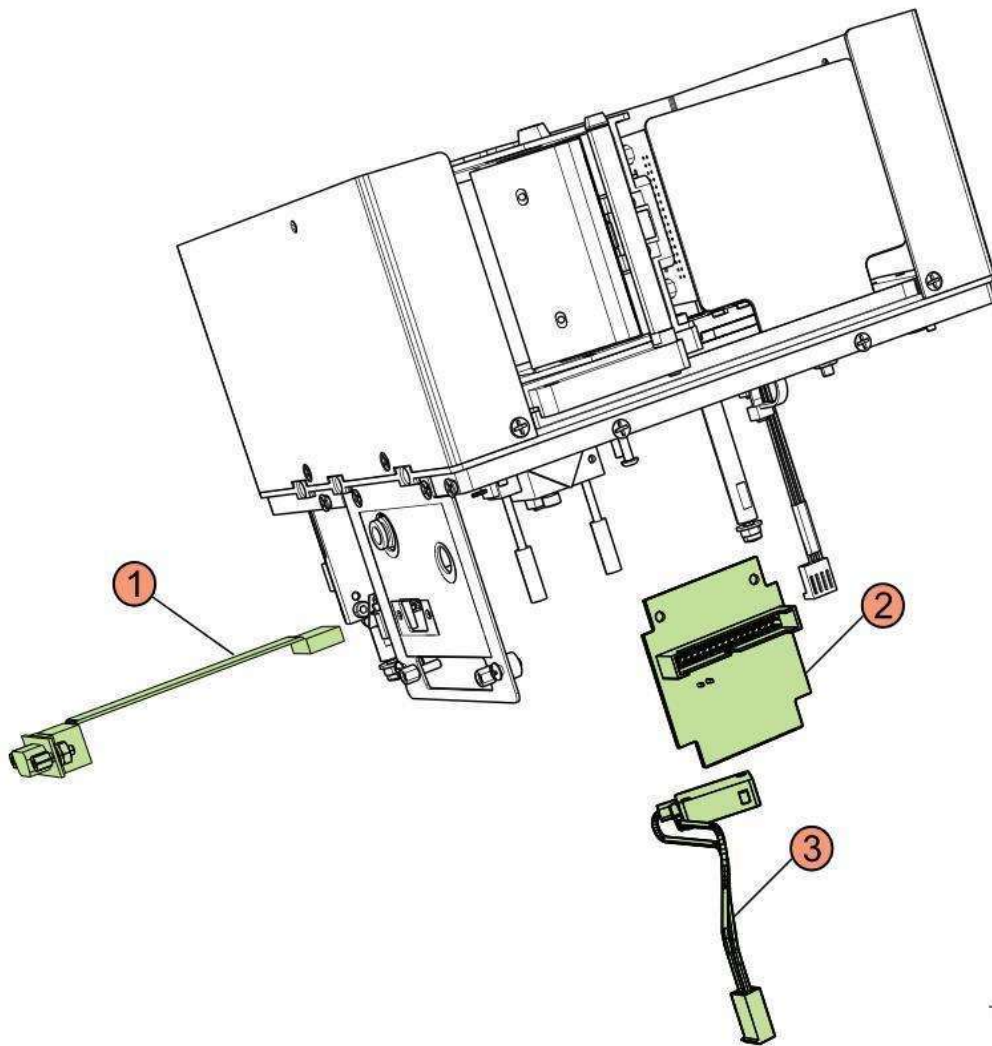


TV02128

Item	Part number	Description
1	10036435	Semi automatic belt tensioner
2	10041552	Pneumatics kit
3	ENM10062499	Printer PCB assembly

# Shuttled Printers

## Cassette switch



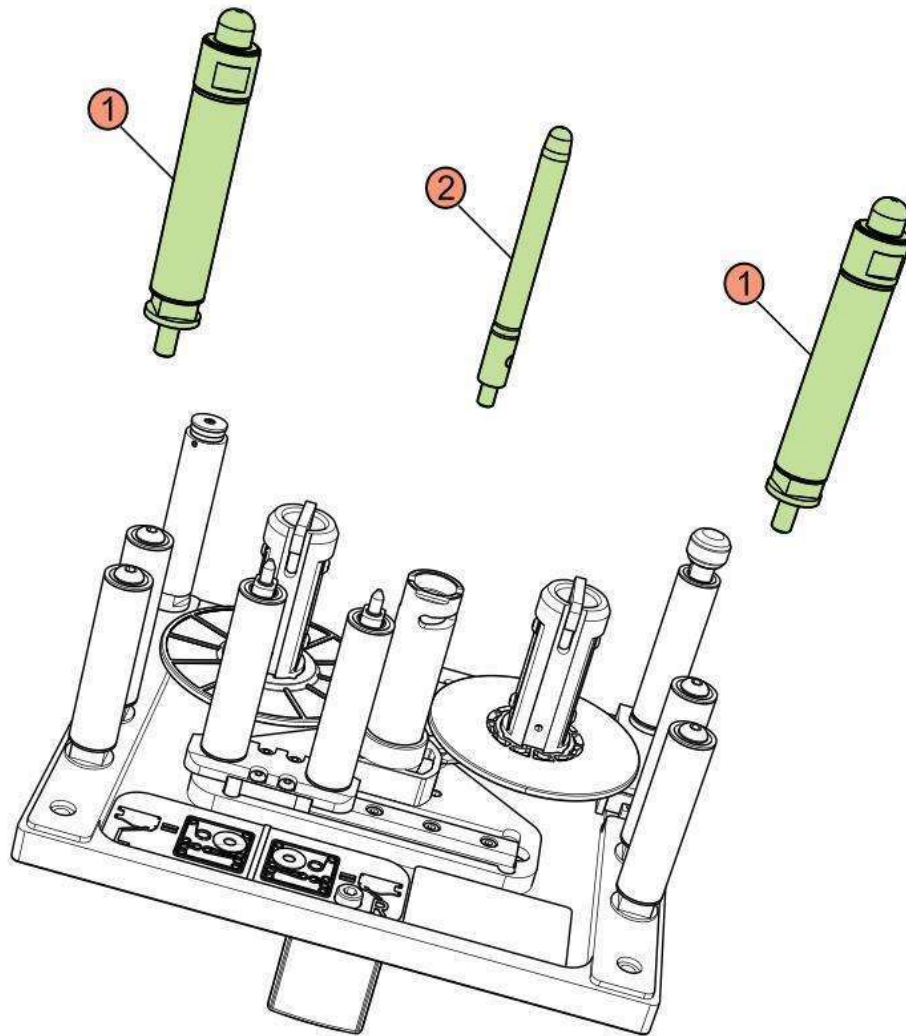
TV02129

Item	Part number	Description
1	10022807	Internal encoder cable assembly
2	ENM10053798	Interconnect PCB assembly
3	10047991	Cassette switch



# Shuttled Cassettes

## Cassette locating pin



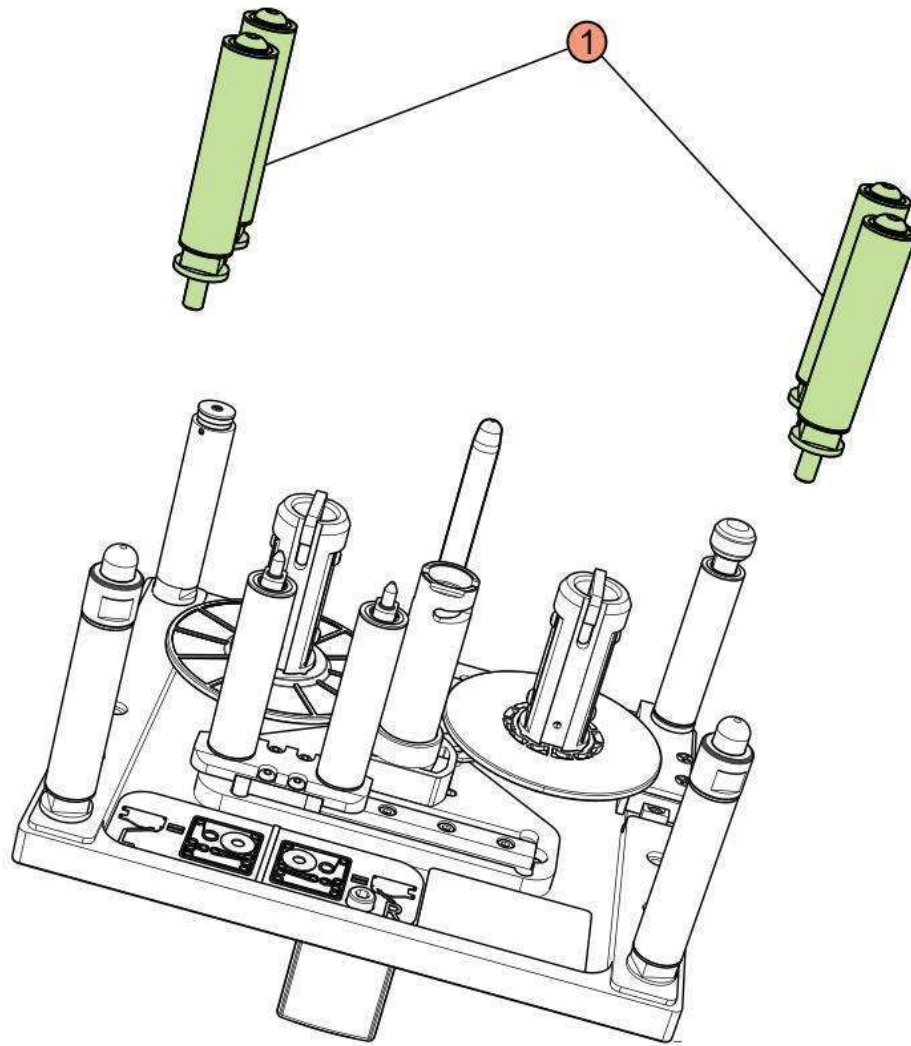
TV02134

Item	Part number	Description
1	10029510	Locating roller assembly
2	ENM10062724	Cassette locating pin



# Shuttled Cassettes

## Guide roller assemblies

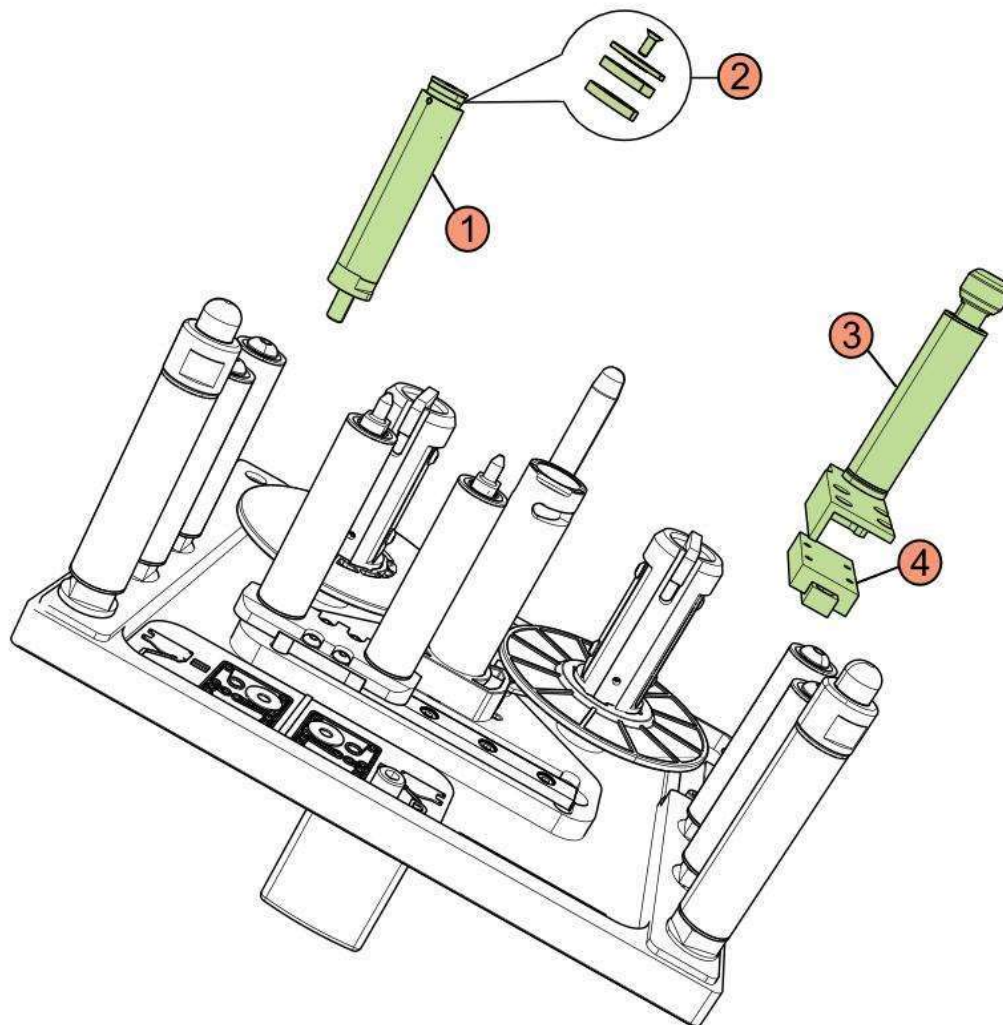


TV02135

Item	Part number	Description
1	10031959	Guide roller assemblies

# Shuttled Cassettes

## Linear slide

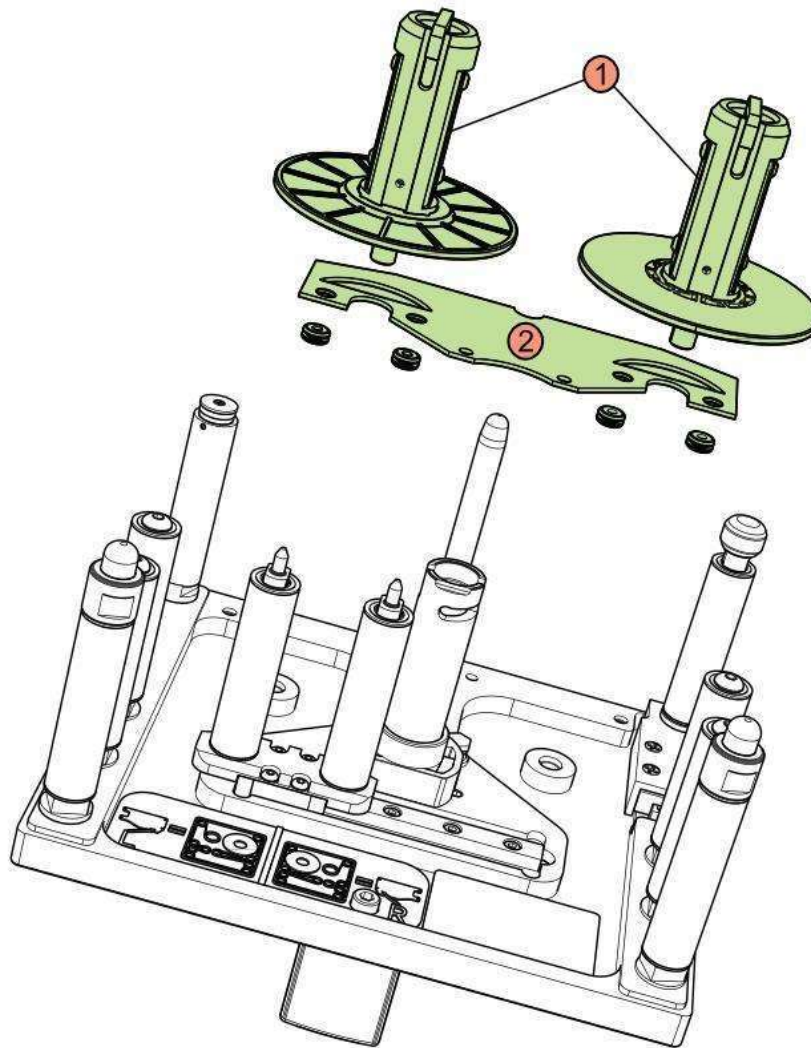


TV02136

Item	Part number	Description
1	10029512	Movement roller assembly
2	5825286	Movement roller magnet kit
3	10029511	Tension sensor roller assembly
4	5210989	Linear guide rail & carriage assembly

# Shuttled Cassettes

## Tension roller & slide kit

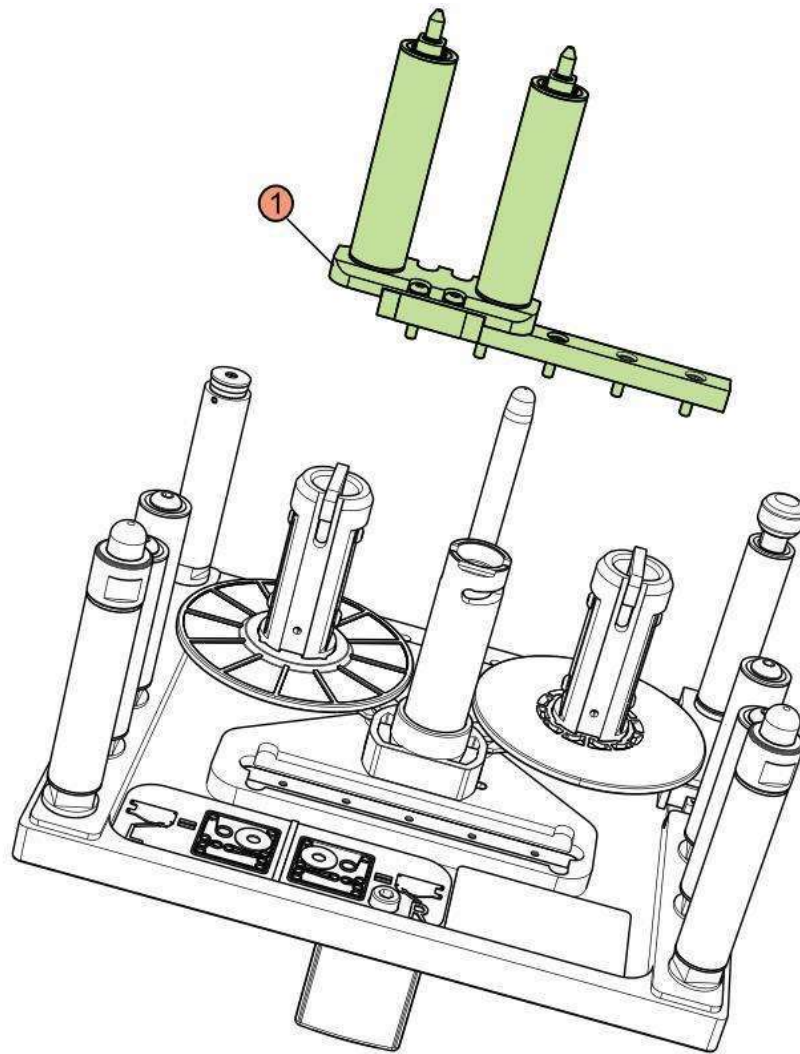


TV02137

Item	Part number	Description
1	ENM10053306	Ribbon supply & rewind assemblies (53mm)
2	ENM10023156	cassette brake plate assembly
3	10029511	Tension sensor roller assembly

# Shuttled Cassettes

## Shuttle assembly



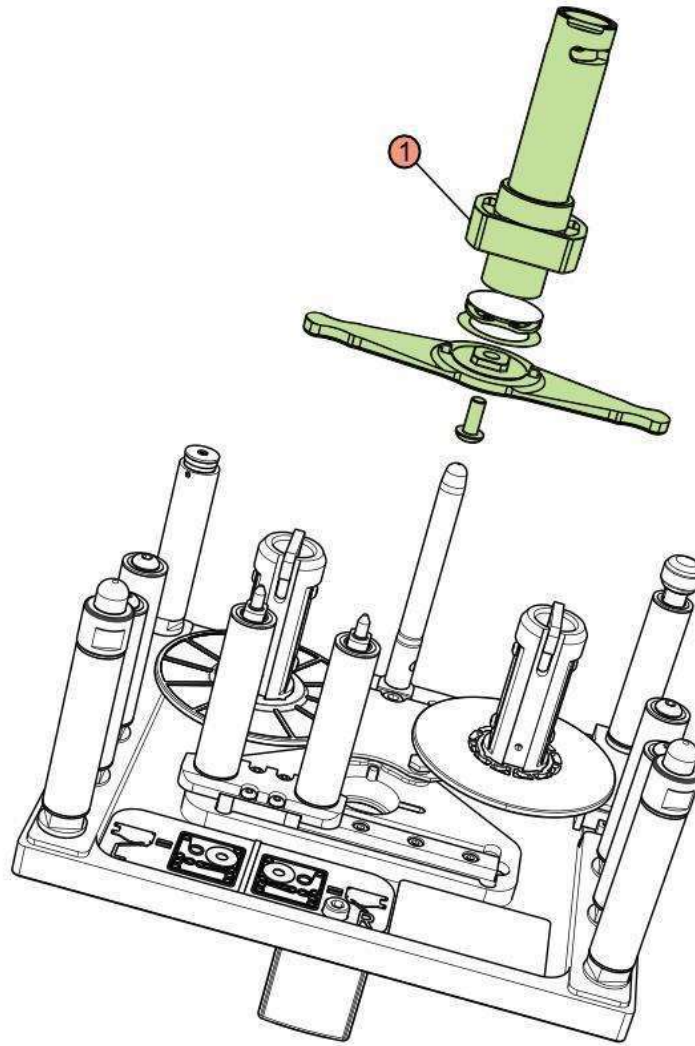
TV02138

---

Item	Part number	Description
1	5825288	Shuttle assembly

# Shuttled Cassettes

## Latch tube assembly kit

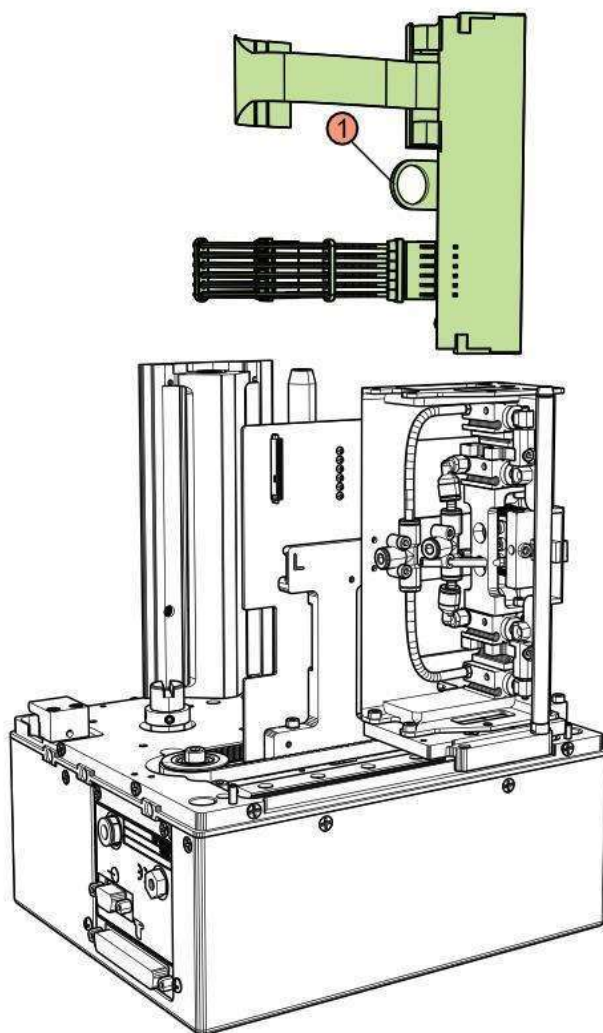


TV02139

Item	Part number	Description
1	ENM10055580	Latch tube assembly kit

# 128mm Combined Printer

## 128mm printhead assembly



TV02144

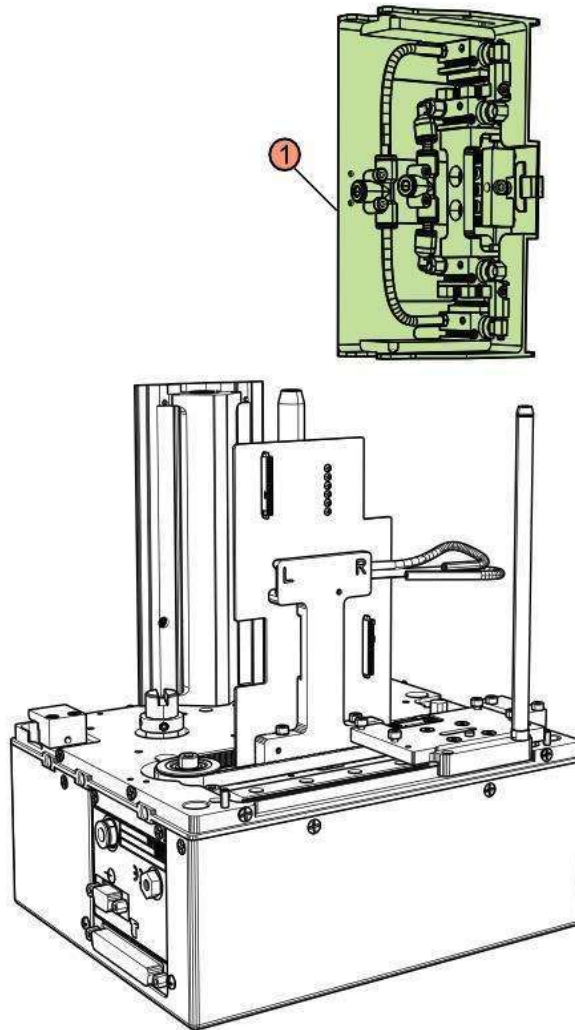
---

Item	Part number	Description
1	ENM10104685	TTO - X-Series Printhead 128mm Assembly



# 128mm Combined Printer

## Printhead module assembly



TV02145

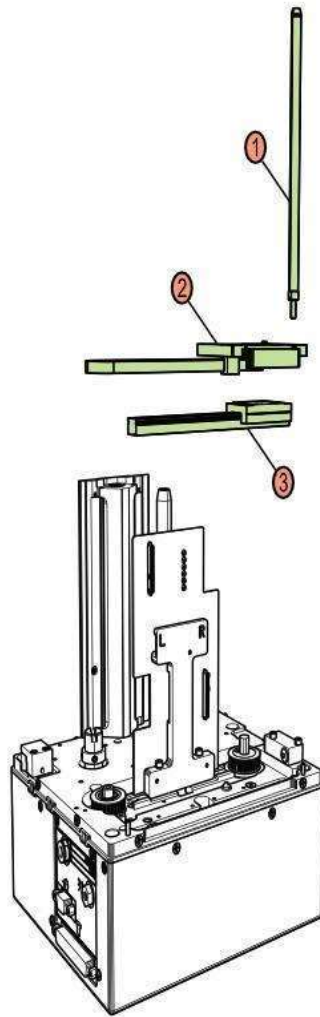
---

Item	Part number	Description
1	10029216	Printhead module assembly



# 128mm Combined Printer

## Linear guide rail & carriage assembly

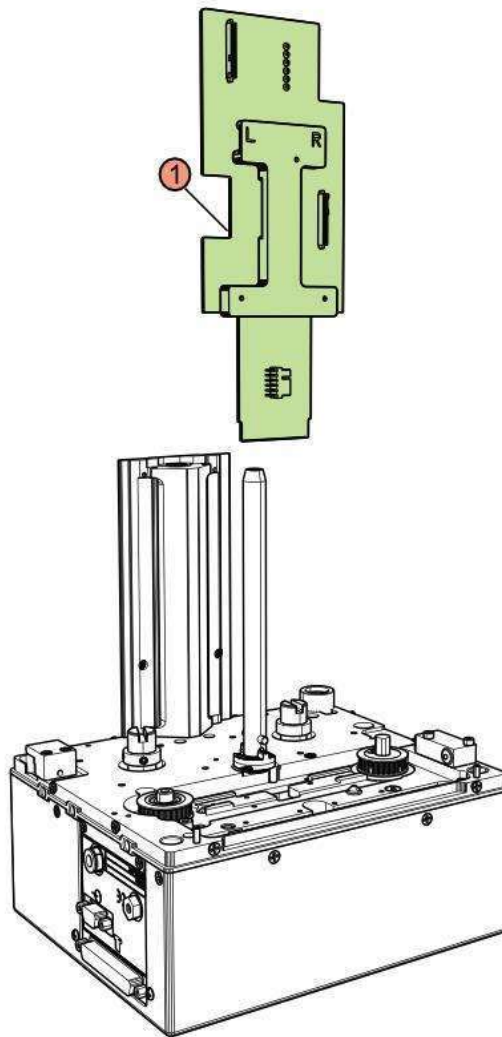


TV02146

Item	Part number	Description
1	EN10029211	Peel roller assembly
2	ENM10026503	Printhead module assembly
3	5210986	Guide rail & carriage assembly

# 128mm Combined Printer

## Interface PCB assembly

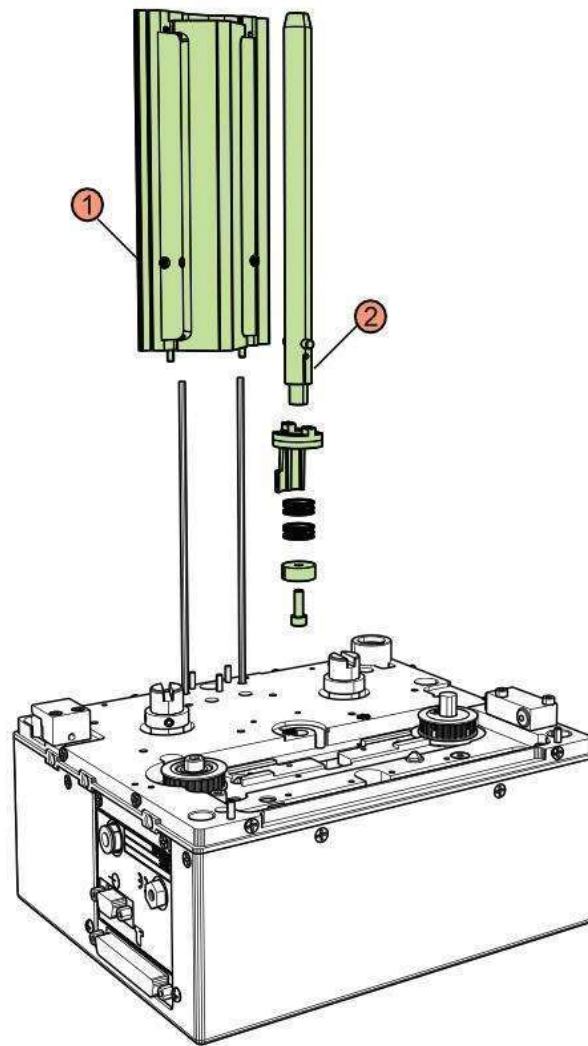


TV02147

Item	Part number	Description
1	10051025	Interface PCB assembly

# 128mm Combined Printer

## Latch tube assembly kit

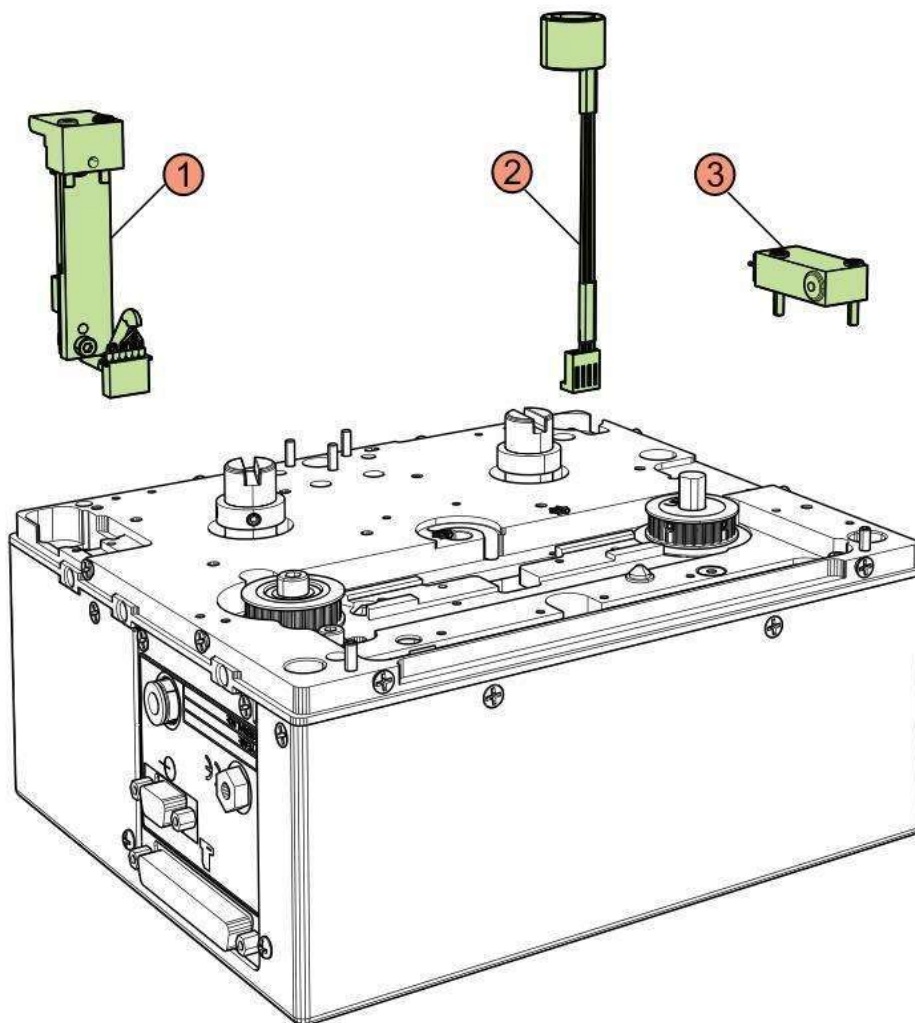


TV02148

Item	Part number	Description
1	ENM10029263	Printer mounting plate
2	ENM10055585	Latch tube assembly kit

# 128mm Combined Printer

## Pin plunger microswitch

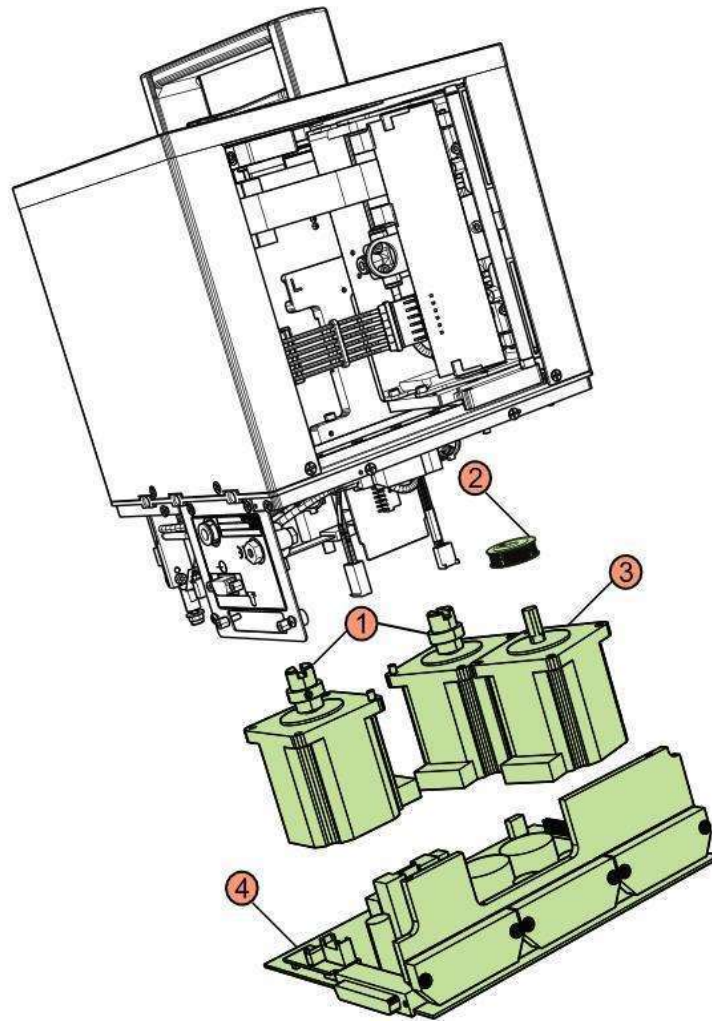


TV02149

Item	Part number	Description
1	ENM10058633	Tension sensor assembly
2	10038761	Ribbon movement sensor assembly
3	5825050	Pin plunger microswitch

# 128mm Combined Printer

## Printer PCB assembly

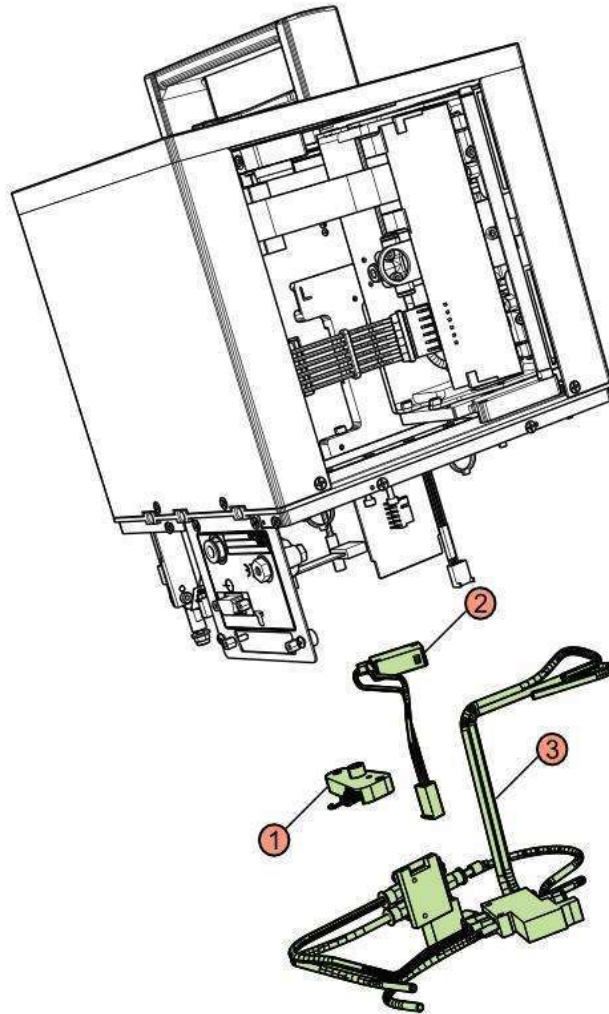


TV02150

Item	Part number	Description
1	ENM10055581	Ribbon motor assembly
2	5825294	Idler pulley assembly
3	ENM10055582	Carriage motor assembly
4	ENM10062499	Printer PCB assembly

# 128mm Combined Printer

## Pneumatics kit

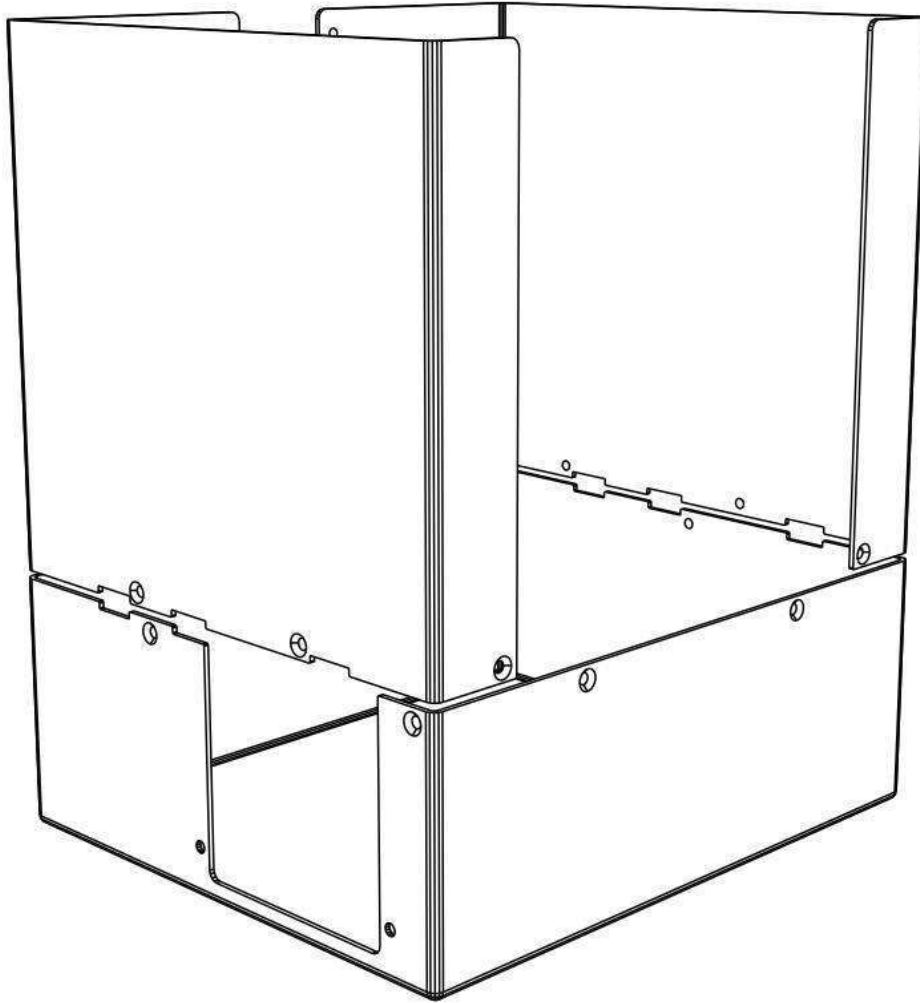


TV02151

Item	Part number	Description
1	10036435	Semi automatic belt tensioner
2	10047991	Cassette switch
3	ENM10055587	Pneumatics kit

# 128mm Combined Printer

## Printer covers kit



TV02152

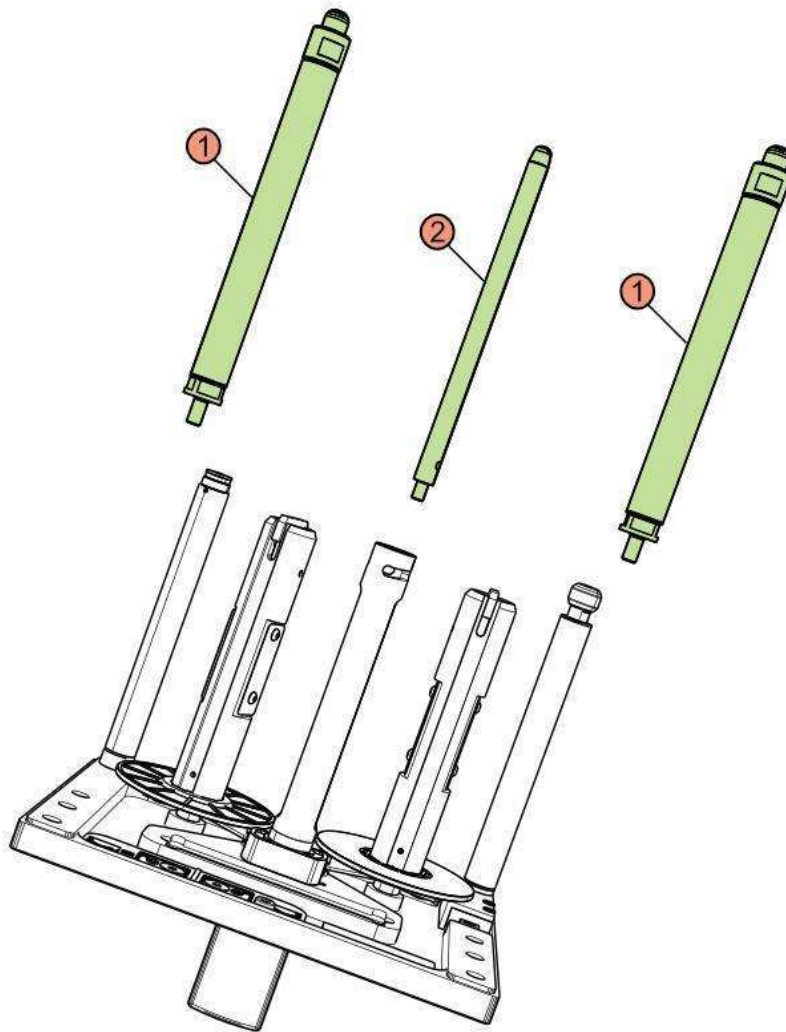
---

Item	Part number	Description
1	ENM10055586	Printer covers kit



# 128mm Cassette

## Cassette locating pin

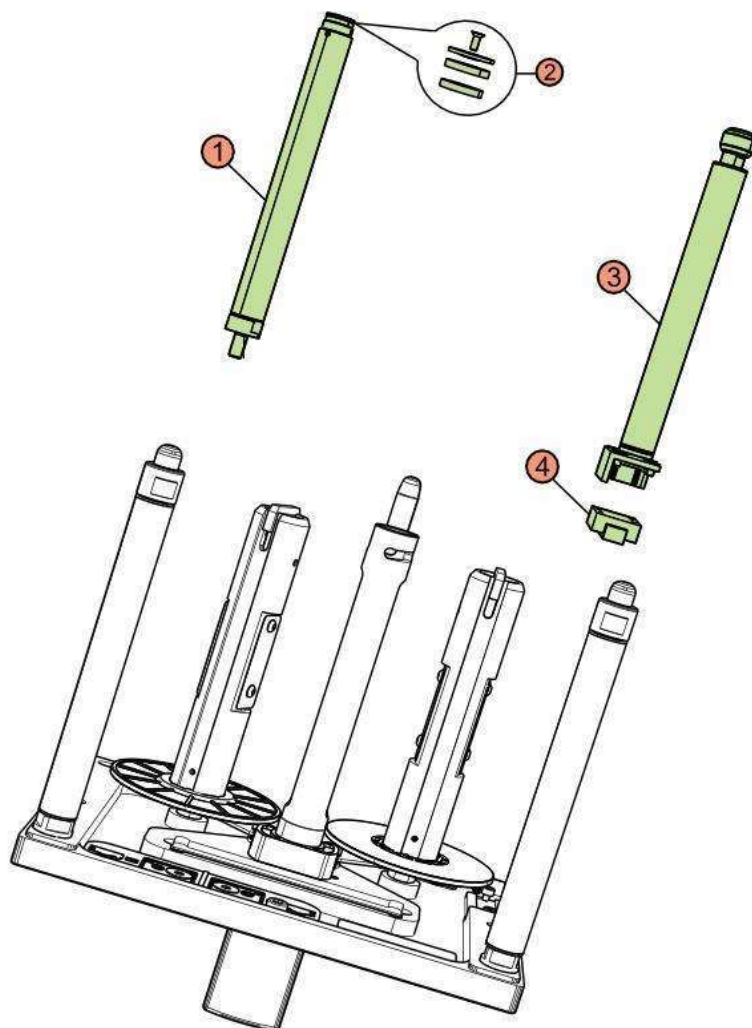


TV02153

Item	Part number	Description
1	10029281	Locating roller assembly
2	ENM10029270	Cassette locating pin

# 128mm Cassette

## Linear guide rail & carriage assembly

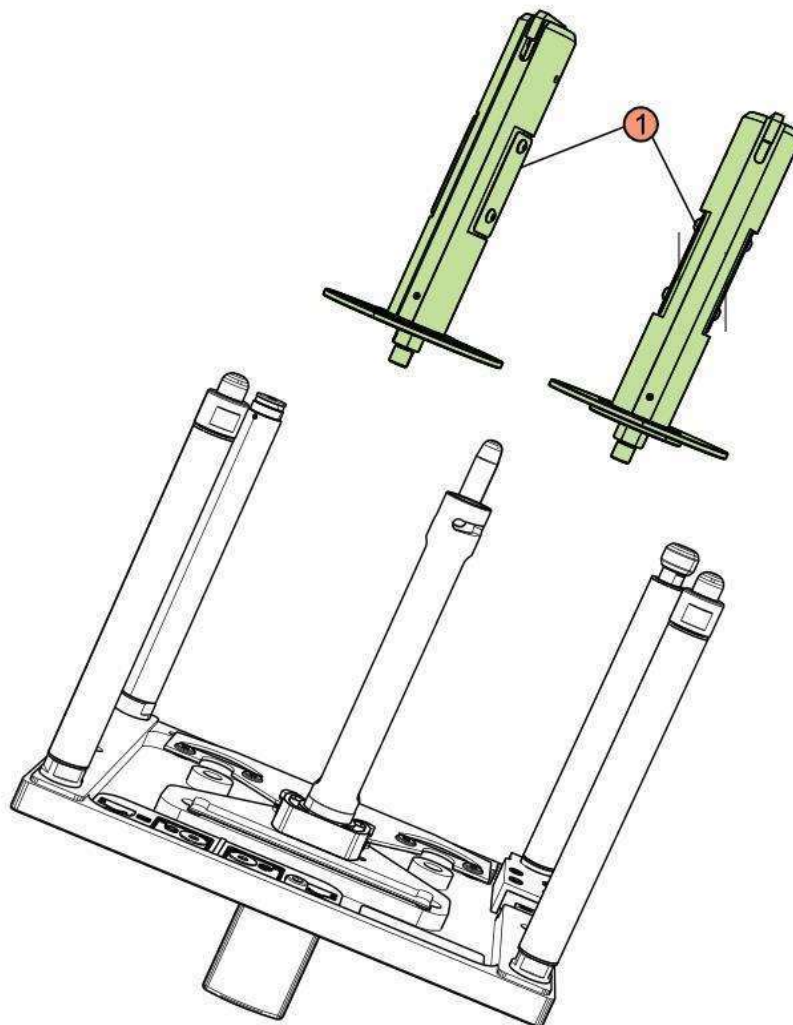


TV02154

Item	Part number	Description
1	ENM10047752	Ribbon movement roller assembly
2	10055301	Movement roller magnet kit
3	ENM10028300	Tension roller assembly
4	5210989	Linear guide rail & carriage assembly

# 128mm Cassette

## Ribbon supply & rewind assemblies

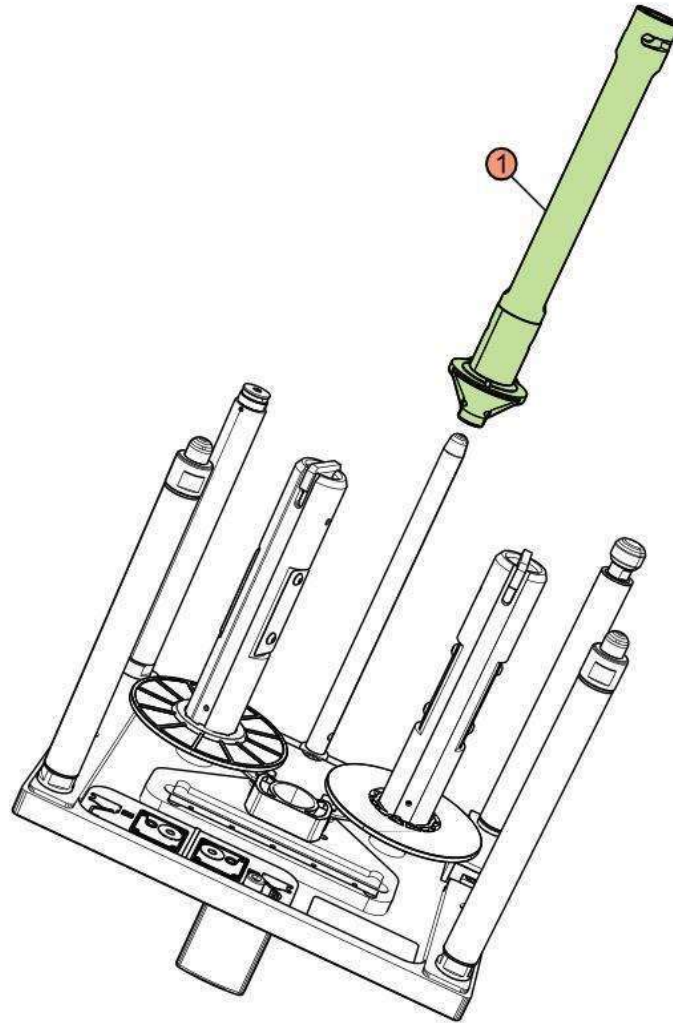


TV02155

Item	Part number	Description
1	ENM10056008	Ribbon supply & rewind assemblies

# 128mm Cassette

## Latch tube assembly kit



TV02156

Item	Part number	Description
1	ENM10055588	Latch shaft assembly

# Accessories

## MUI Fasteners Kit



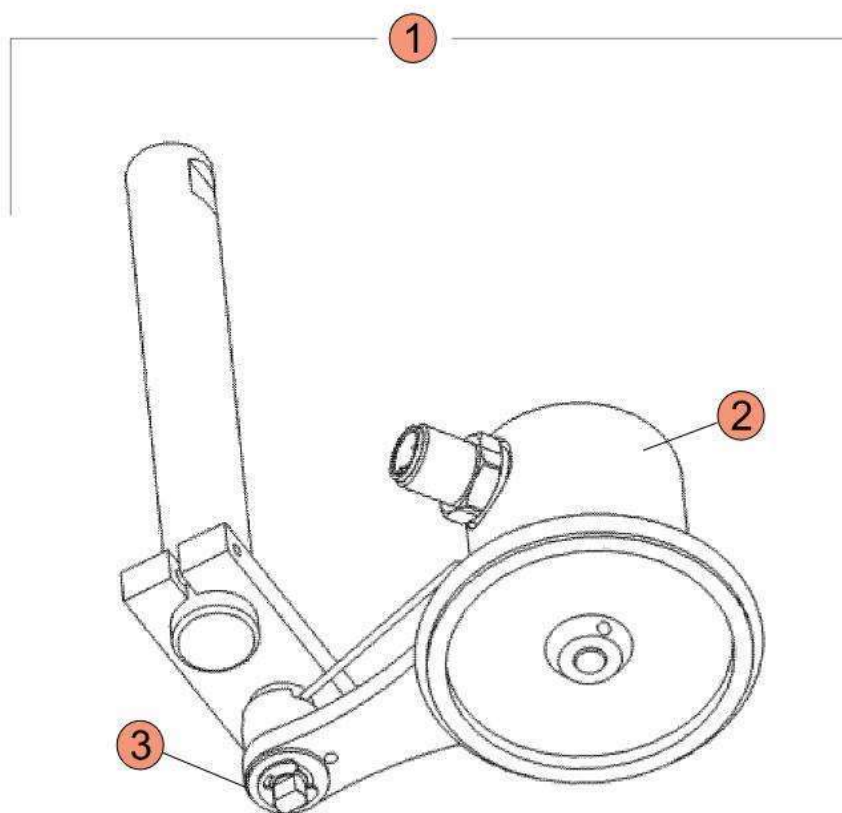
TV02068

---

Item	Part number	Description
1	ENM10082419	TTO - XS - MUI FASTENERS KIT

# Accessories

## Encoder

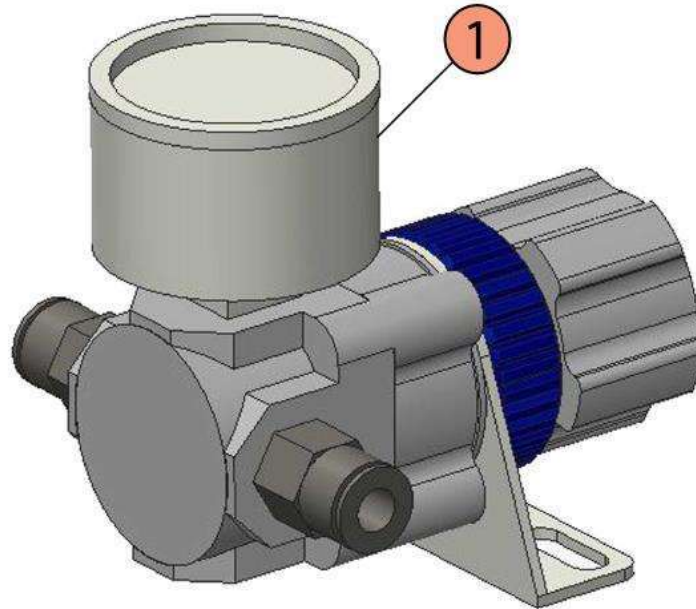


TV02044

Item	Part number	Description
1	A41431	Encoder Assembly
2	A41370	Encoder configurable Ø 58 - shaft 6mm - With connector M12 (without cable)
3	A41410	Encoder rolling kit arm tension control
4	A41382	Encoder cable

# Accessories

## Air regulator



TV02045

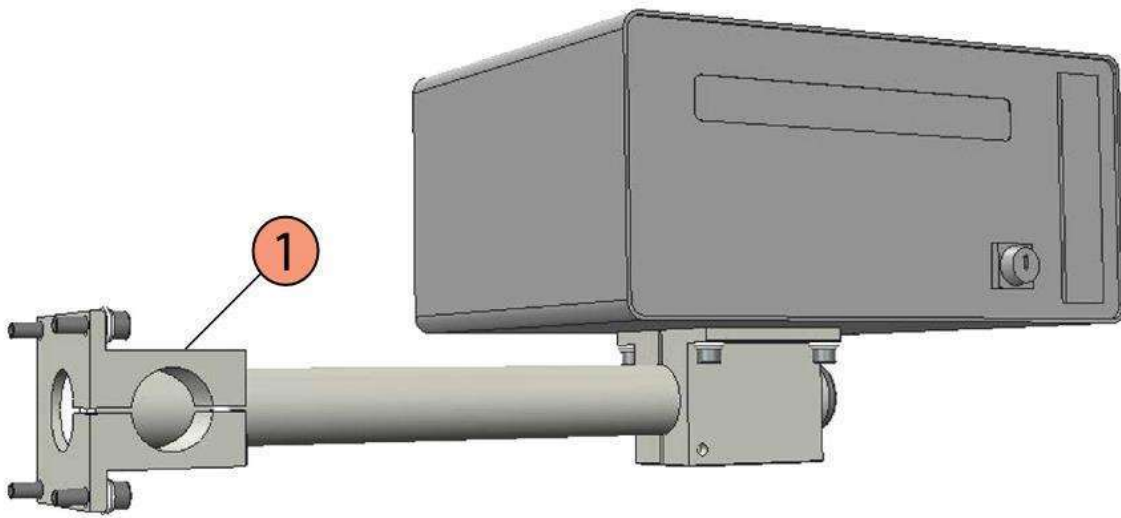
---

Item	Part number	Description
1	5825000	Air regulator



# Accessories

## Control box mounting kit



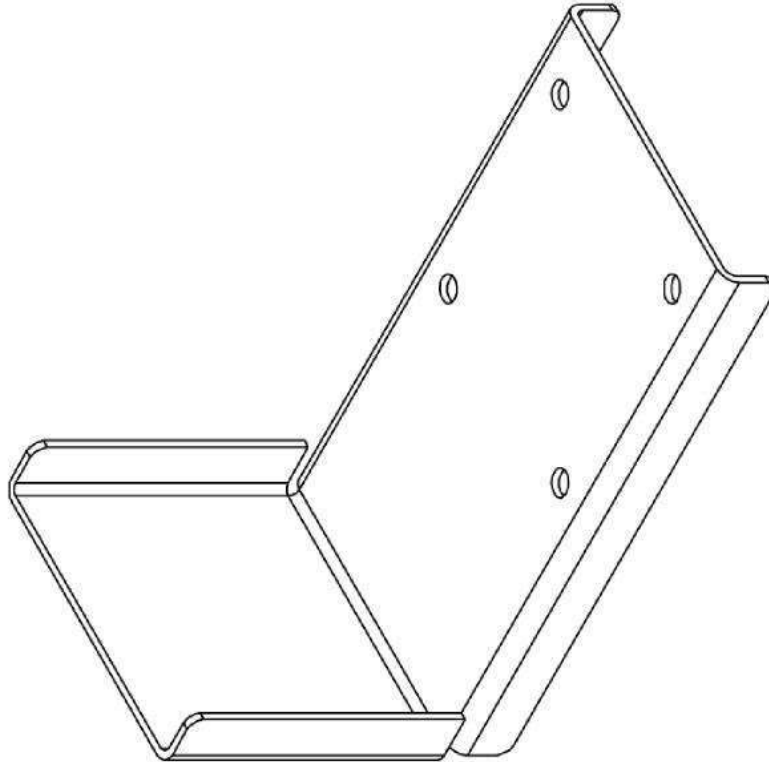
TV02046

---

Item	Part number	Description
1	5824332	Universal control box mounting

# Accessories

## OEM controller bracket



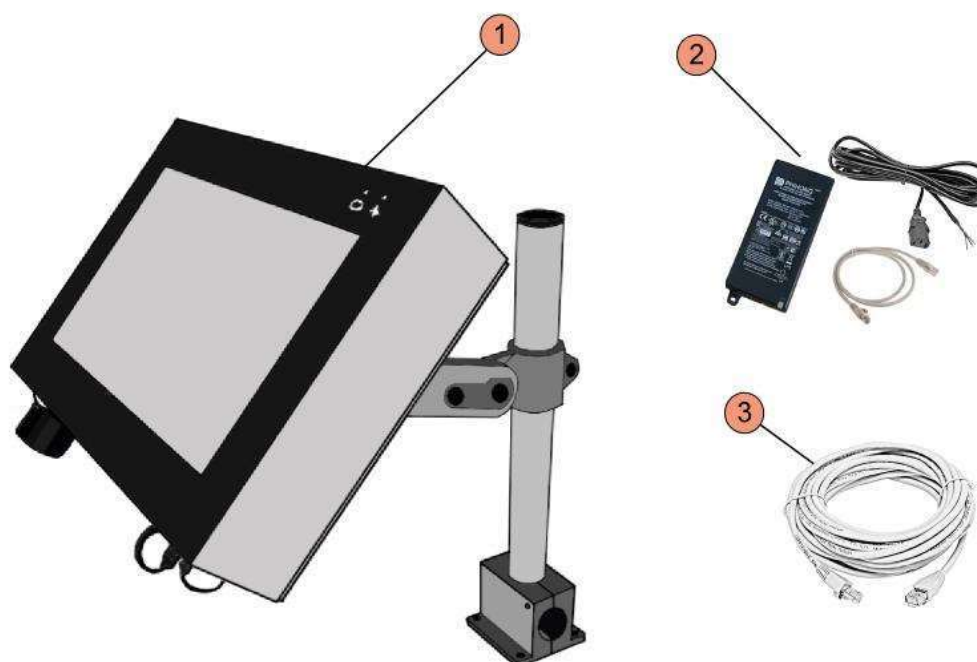
TV02048

---

Item	Part number	Description
1	ENM10057897	OEM controller bracket

# Accessories

## Remote User Interface



TV02647

Item	Part number	Description
1	10108889	X-Series Printer RUI Kit (RUI + Fixing Bracket)
2	10108890	X-Series Printer PoE Injector Kit
3	ENM10108887	Cable Ethernet RJ45 Shielded 5m IP67

# Accessories

## TTO Beacon Assembly

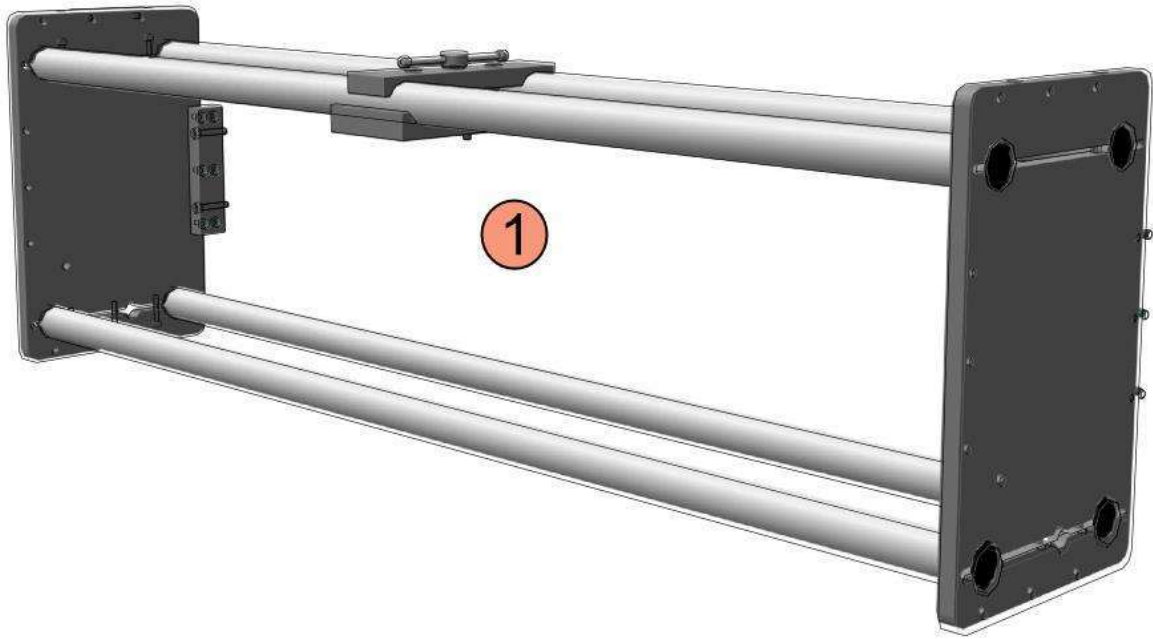


TV02654

Item	Part number	Description
1	ENM10112162	TTO Tri-Colour Beacon (Green/Amber/Blue)
1	5825225	TTO Tri-Colour Beacon (Green/Amber/Red)
2	10112206	Blue Beacon Lense (With Bulb)

# Brackets for SmartDate X40/X60 Series

## Solid End Plate Bracke



TV02601

---

Item	Part number	Description
1	5824329	Solid End Plate Bracket

# Brackets for SmartDate X40/X60 Series

## Basic Window Bracket



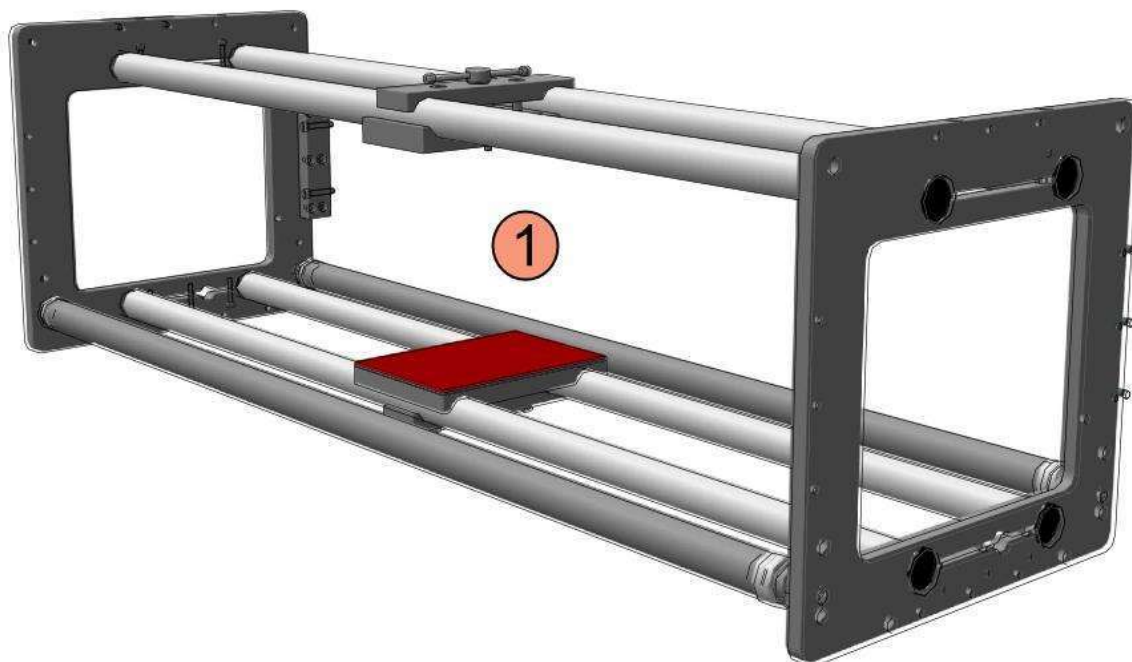
TV02602

---

Item	Part number	Description
1	5824330	Window Basic Bracket

# Brackets for SmartDate X40/X60 Series

## Window Intermittent Bracket



TV02603

Item	Part number	Description
1	10055926	Window Intermittent Bracket



# Brackets for SmartDate X40/X60 Series

## Window Continuous Bracket



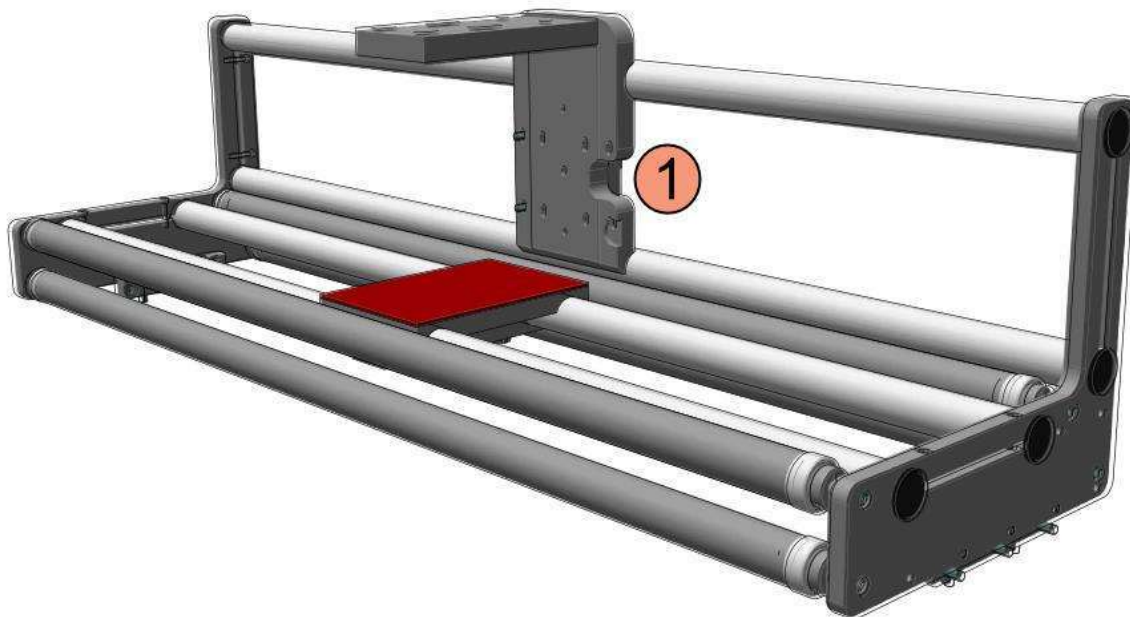
TV02604

---

Item	Part number	Description
1	10055925	Window Continuous Bracket

# Brackets for SmartDate X40/X60 Series

## L Shape Intermittent Bracket

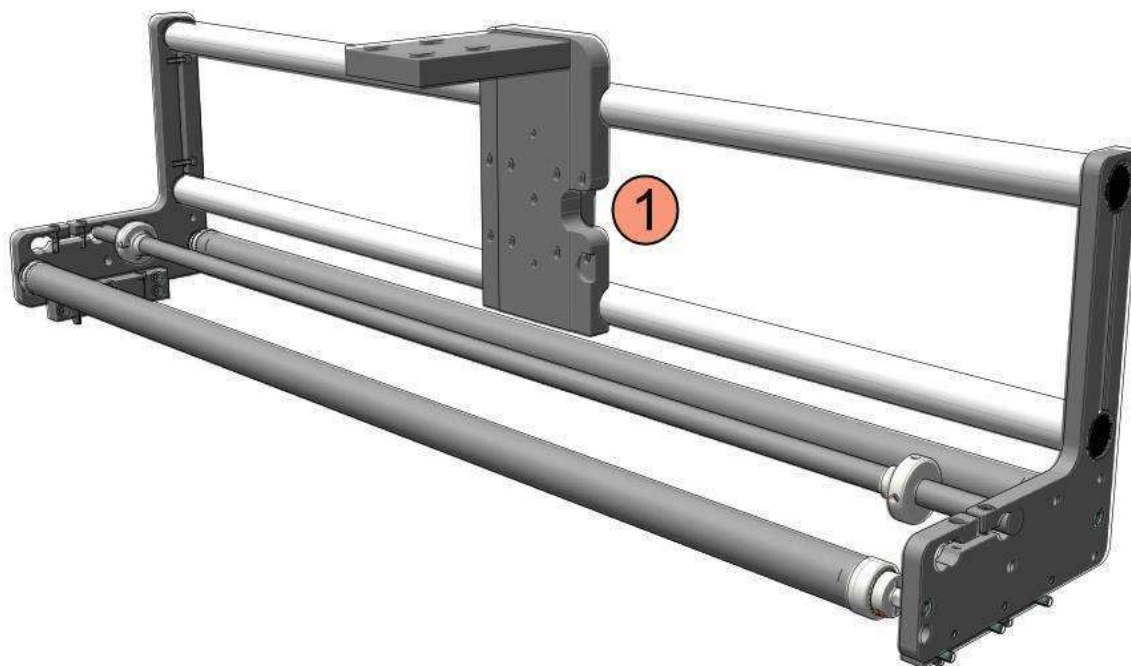


TV02605

Item	Part number	Description
1	5824838	L Shape Intermittent Bracket

# Brackets for SmartDate X40/X60 Series

## L Shape Continuous Bracket



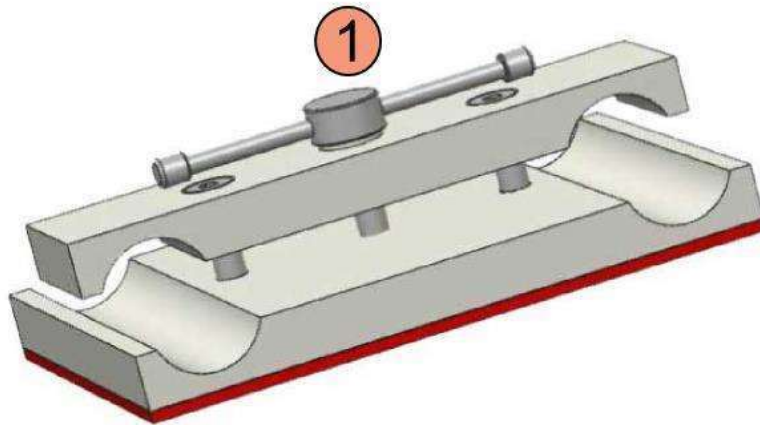
TV02606

---

Item	Part number	Description
1	5824513	L Shape Continuous Bracket

# Brackets for SmartDate X40/X60 Series

## Print Base Assembly



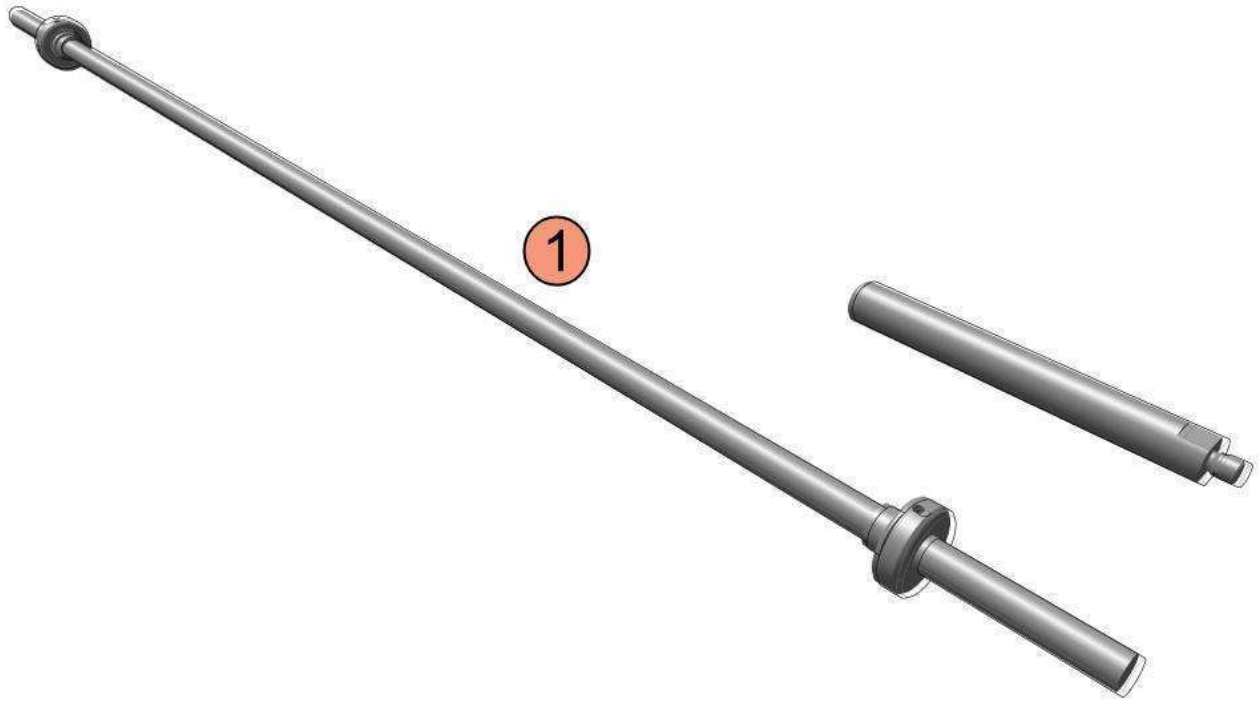
TV02607

---

Item	Part number	Description
1	5824261	Print Base Assembly

# Brackets for SmartDate X40/X60 Series

## Continuous Converter Kit



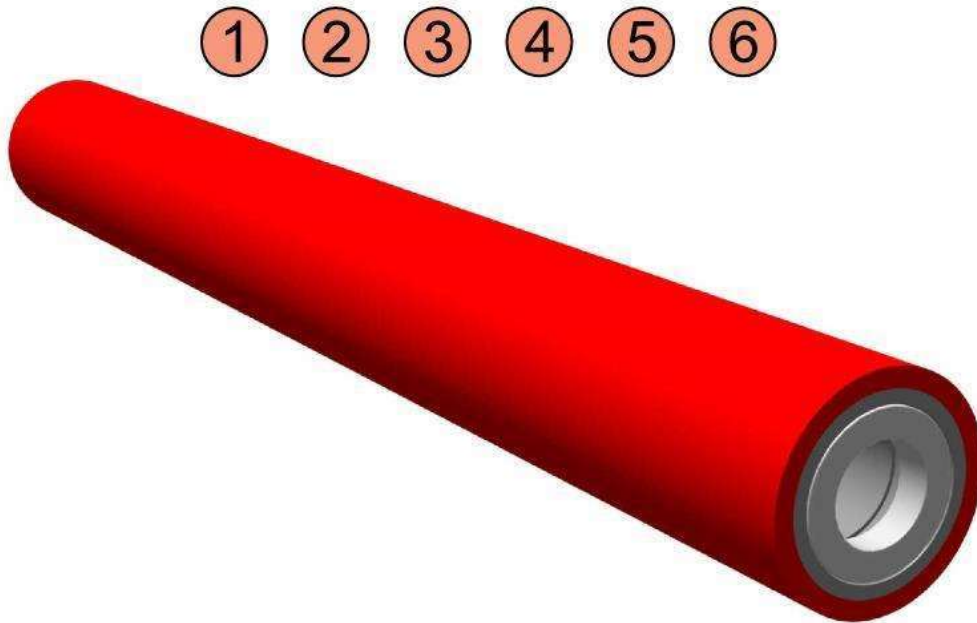
TVXXXXX

---

Item	Part number	Description
1	5824331	Continuous Converter Kit

# Brackets for SmartDate X40/X60 Series

## Print Roller (400 -> 650mm)

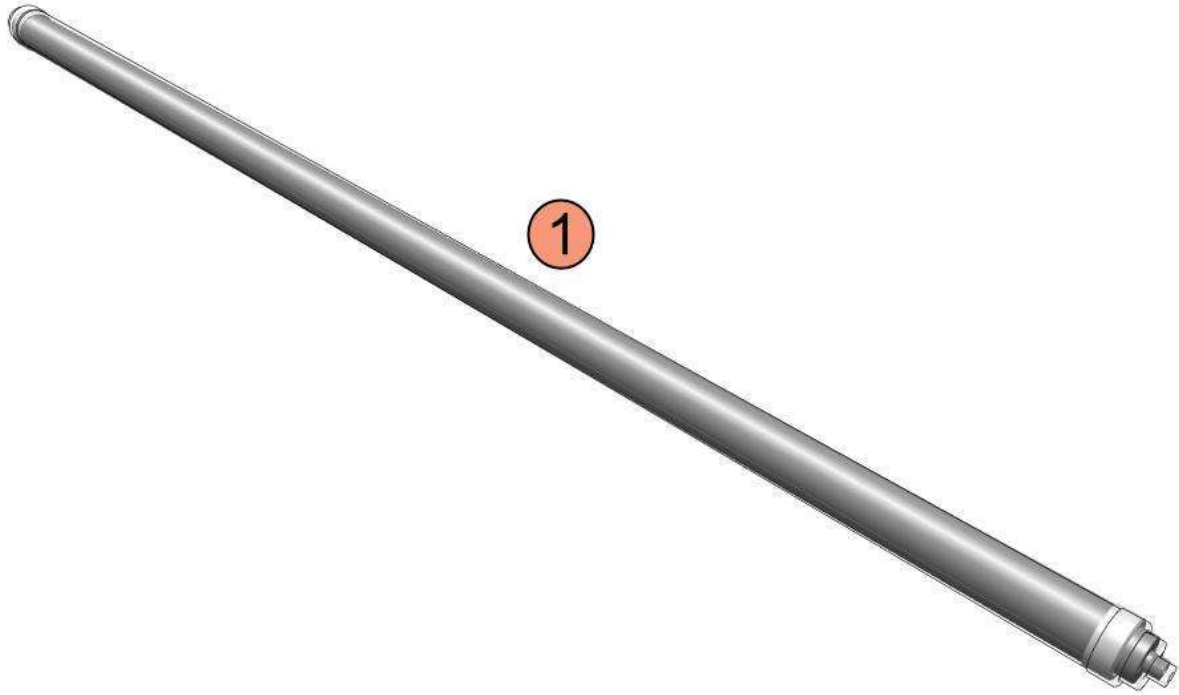


TV02609

Item	Part number	Description
1	5824374	Print Roller (400mm)
2	5824375	Print Roller (450mm)
3	5824376	Print Roller (500mm)
4	5824377	Print Roller (550mm)
5	5824378	Print Roller (600mm)
6	5824379	Print Roller (650mm)

# Brackets for SmartDate X40/X60 Series

## Diverting Roller



TV02610

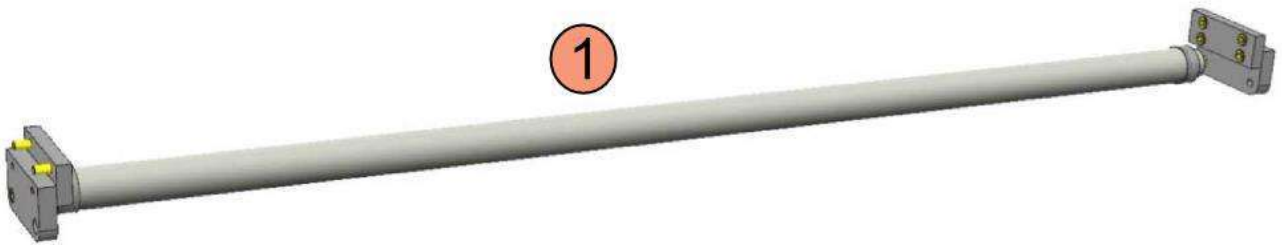
---

Item	Part number	Description
1	5824324	Diverting Roller



# Brackets for SmartDate X40/X60 Series

## Diverting Roller Kit (single)



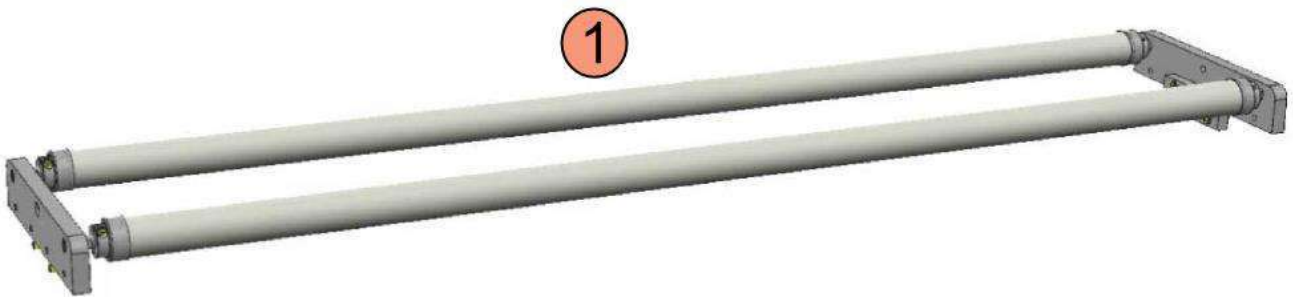
TV02611

---

Item	Part number	Description
1	5824326	Diverting Roller. Kit (single)

# Brackets for SmartDate X40/X60 Series

## Diverting Roller Kit (Multi)



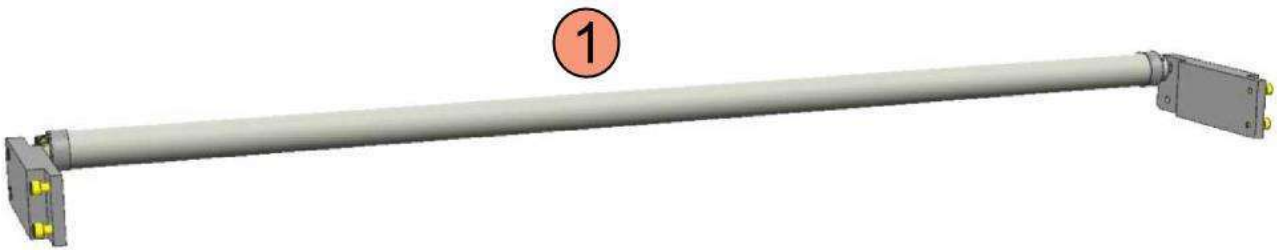
TV02612

---

Item	Part number	Description
1	5824327	Diverting Roller. Kit (Multi)

# Brackets for SmartDate X40/X60 Series

## Extension Arm



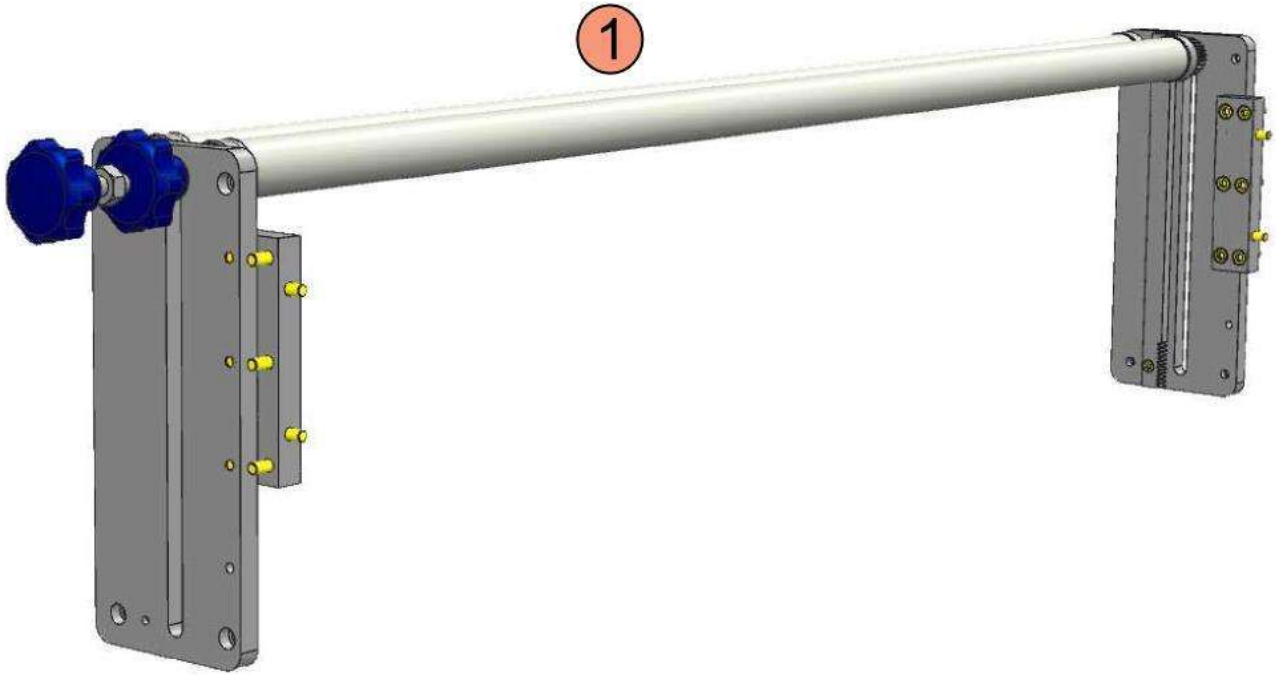
TV02613

---

Item	Part number	Description
1	5824328	Extension Arm

# Brackets for SmartDate X40/X60 Series

## Registration Kit

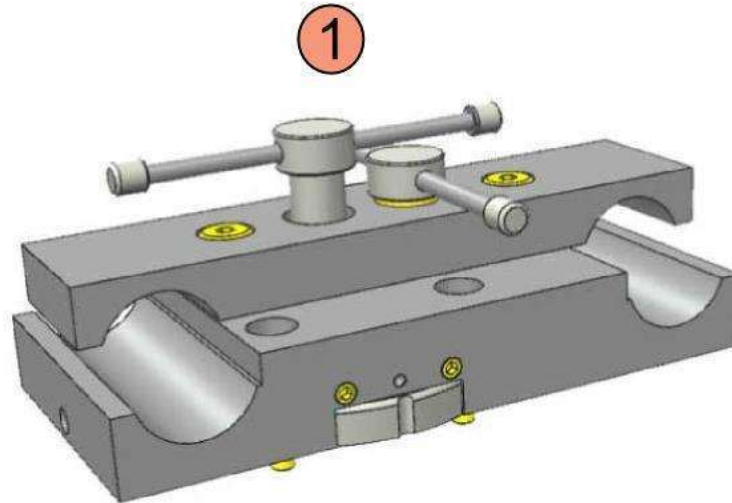


TV02614

Item	Part number	Description
1	5824265	Registration Kit

# Brackets for SmartDate X40/X60 Series

## Rotary Head Mount



TV02615

---

Item	Part number	Description
1	5824352	Rotary Head Mount

# Brackets for SmartDate X40/X60 Series

## Solid Side Plate



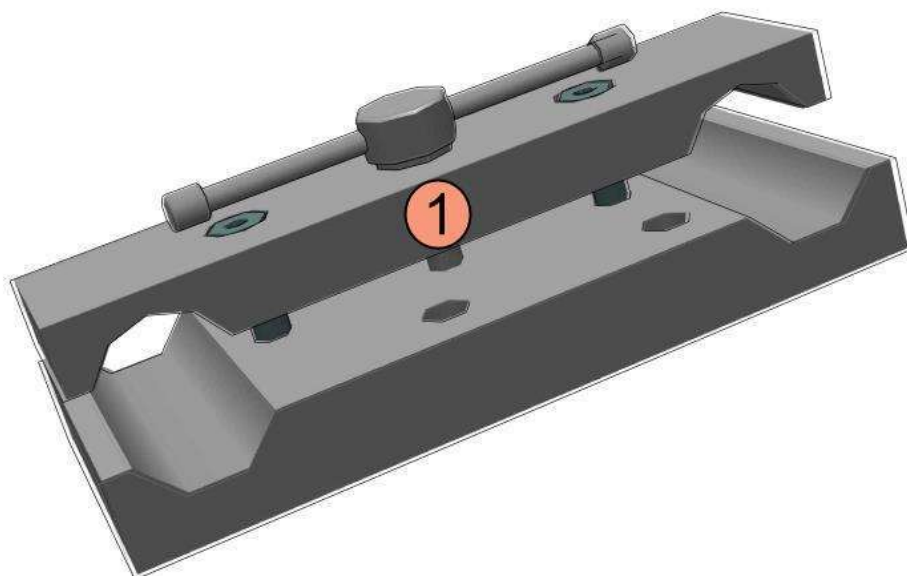
TV02616

---

Item	Part number	Description
1	5362612	Solid Side Plate

# Brackets for SmartDate X40/X60 Series

## Head Mount Assembly



TV02617

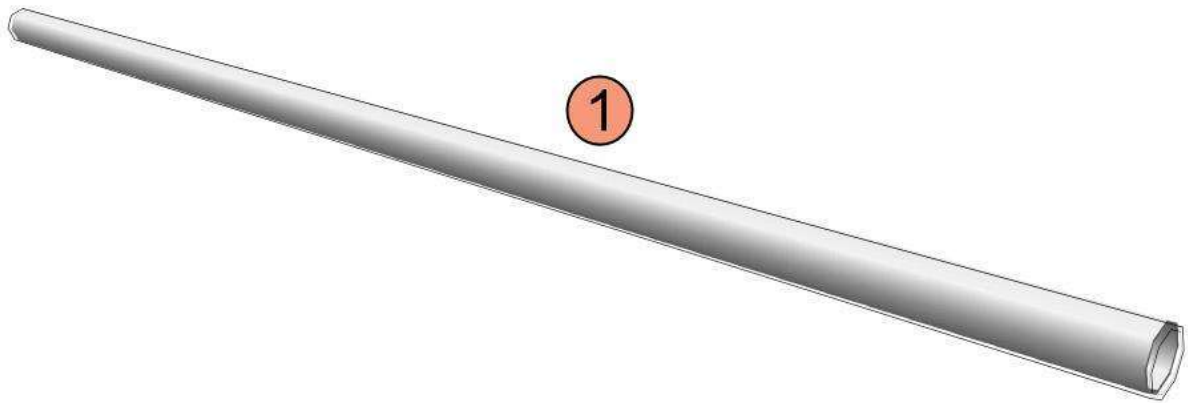
---

Item	Part number	Description
1	5824260	Head Mount Assembly



# Brackets for SmartDate X40/X60 Series

## Cross Support Tube



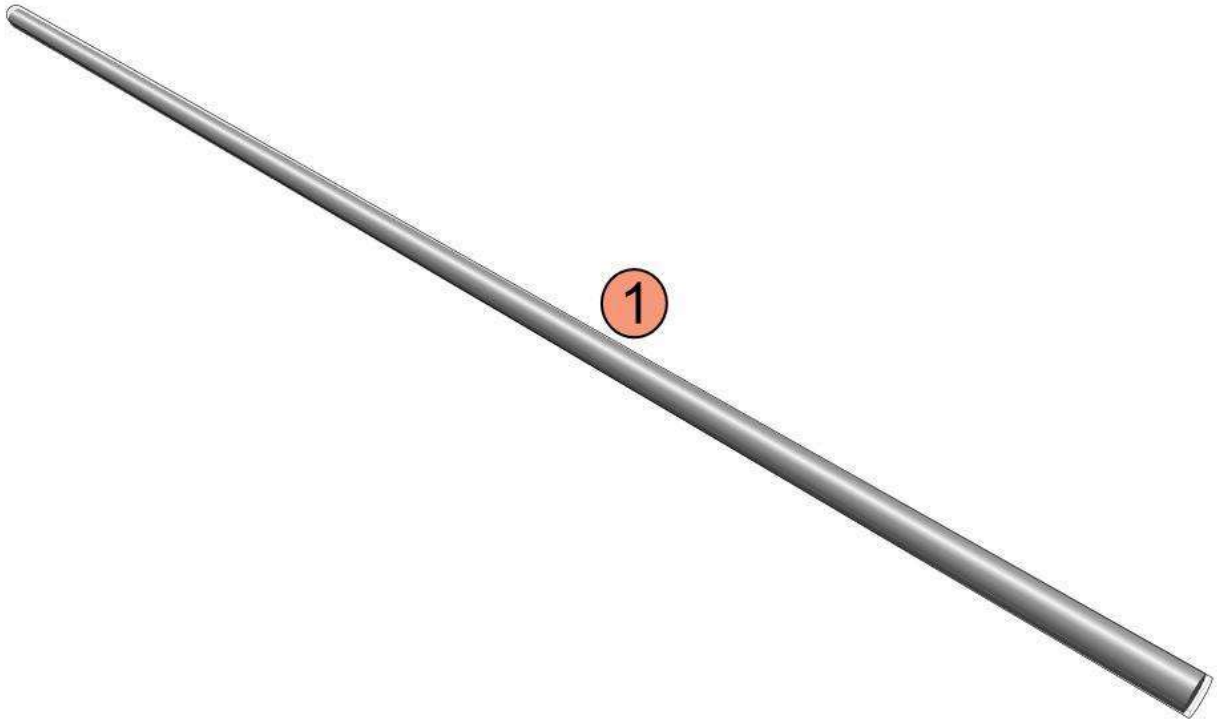
TV02618

---

Item	Part number	Description
1	5942863	Cross Support Tube

# Brackets for SmartDate X40/X60 Series

## Pressure Roller Shaft



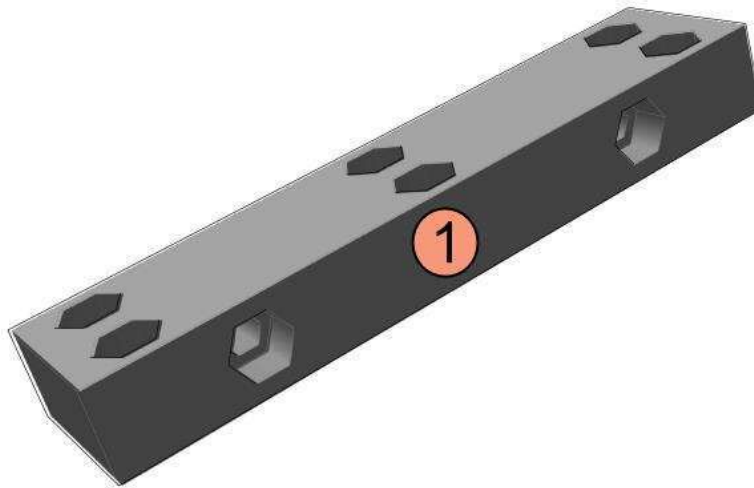
TV02619

---

Item	Part number	Description
1	5942862	Pressure Roller Shaft

# Brackets for SmartDate X40/X60 Series

## Connector Kit



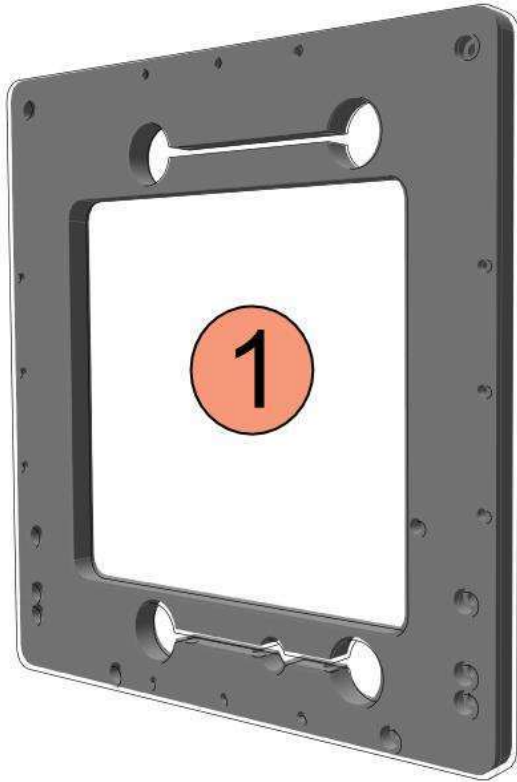
TV02620

---

Item	Part number	Description
1	5824298	Connector Kit

# Brackets for SmartDate X40/X60 Series

## Window Side Plate



TV02621

---

Item	Part number	Description
1	5362325	Window Side Plate
2	5362326	Window Side Plate

# Brackets for SmartDate X40/X60 Series

## Intermittent (L) Side Plate

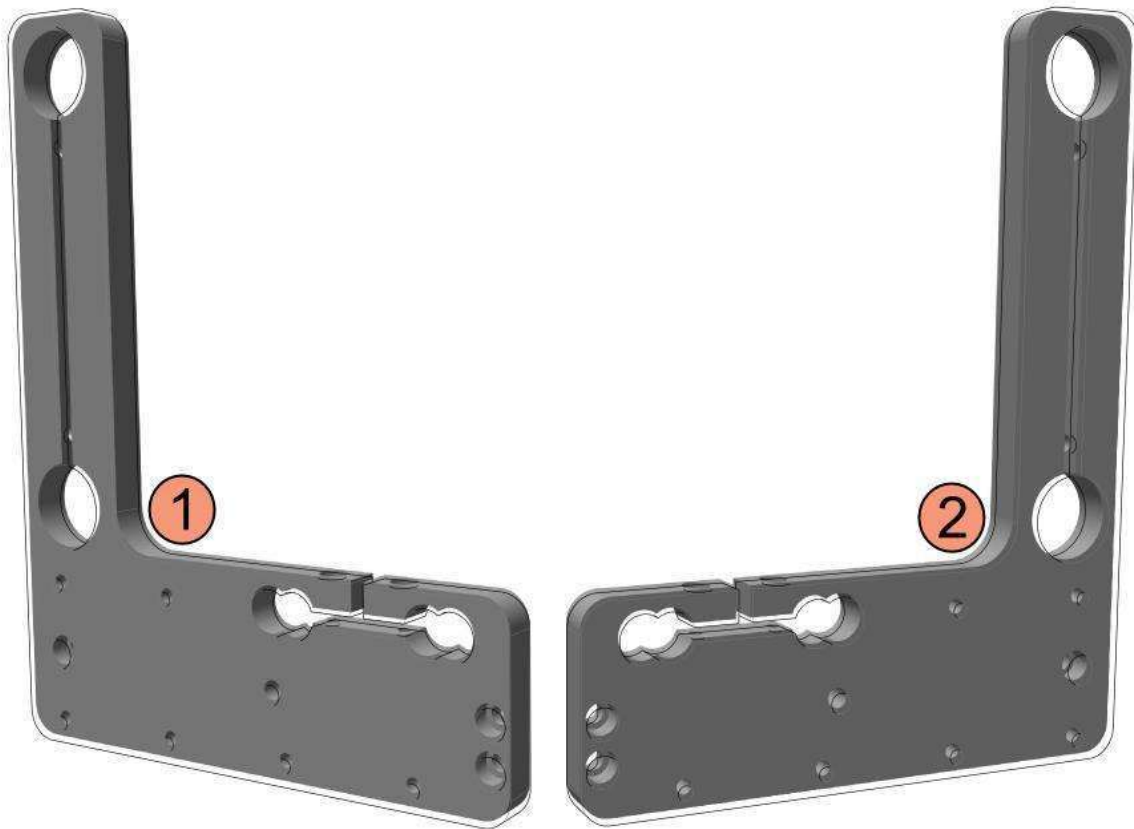


TV02623

Item	Part number	Description
1	5366496	Intermittent (L) Side Plate
2	5366495	Intermittent (L) Side Plate

# Brackets for SmartDate X40/X60 Series

## Continuous (L) Side Plate



TV02624

Item	Part number	Description
1	5366283	Continuous (L) Side Plate
2	5366282	Continuous (L) Side Plate

# Brackets for SmartDate X40/X60 Series

## Intermittent (L) Head Mount Assembly



TV02625

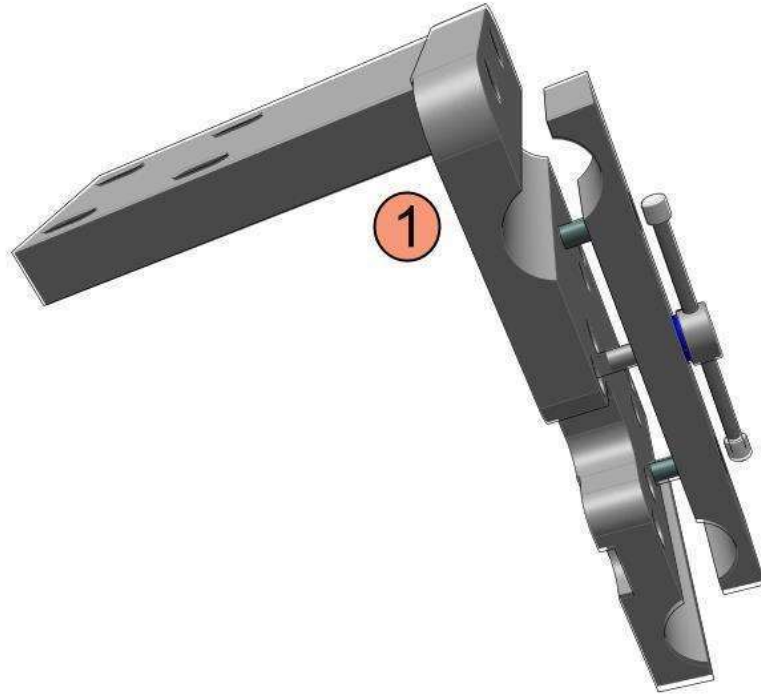
---

Item	Part number	Description
1	5824834	Intermittent (L) Head Mount Assembly



# Brackets for SmartDate X40/X60 Series

## Continuous (L) Head Mount Assembly



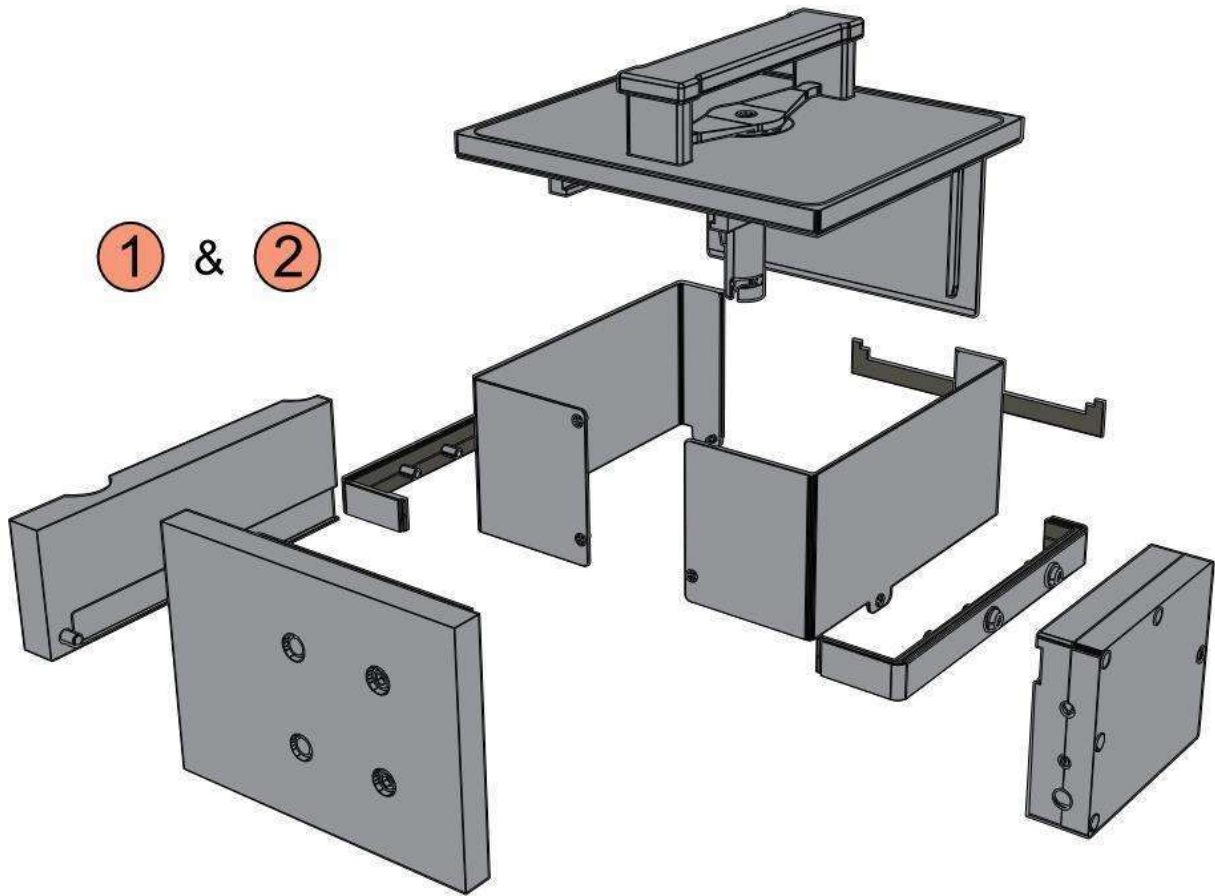
TV02626

---

Item	Part number	Description
1	5825512	Continuous (L) Head Mount Assembly

# SDX65 Washdown Kits Spare Parts

## SDX60/X65 IP Printer L Bracket Kit

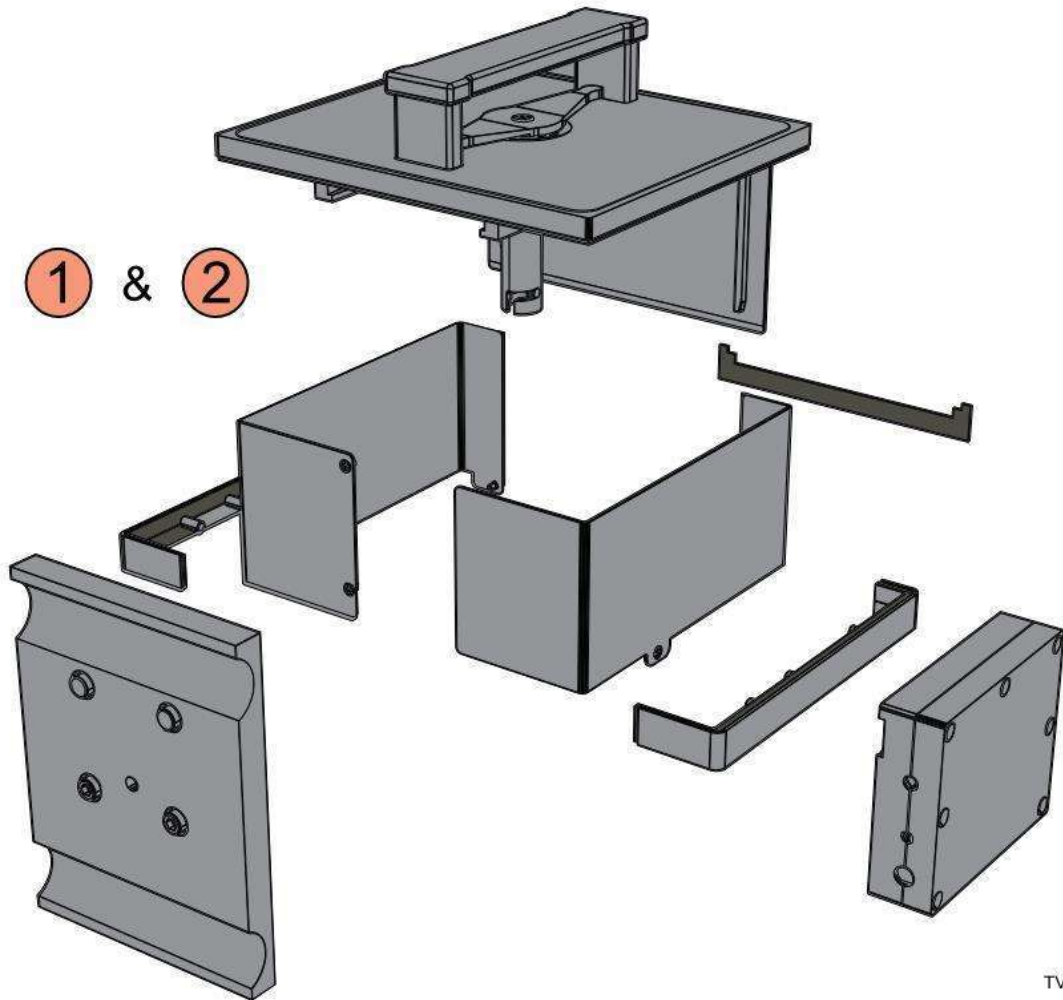


TV02164

Item	Part number	Description
1	10072374	SDX60 IP. 53mm Printer L Bracket . Kit (No Manual)
1	10069043	SDX60 IP. 53mm Printer L Bracket Kit (With Manual)
1	10111071	SDX65 IP. 53mm Printer L Bracket Washdown Kit

# SDX65 Washdown Kits Spare Parts

## SDX60/X65 IP Printer Window Bracket Kit

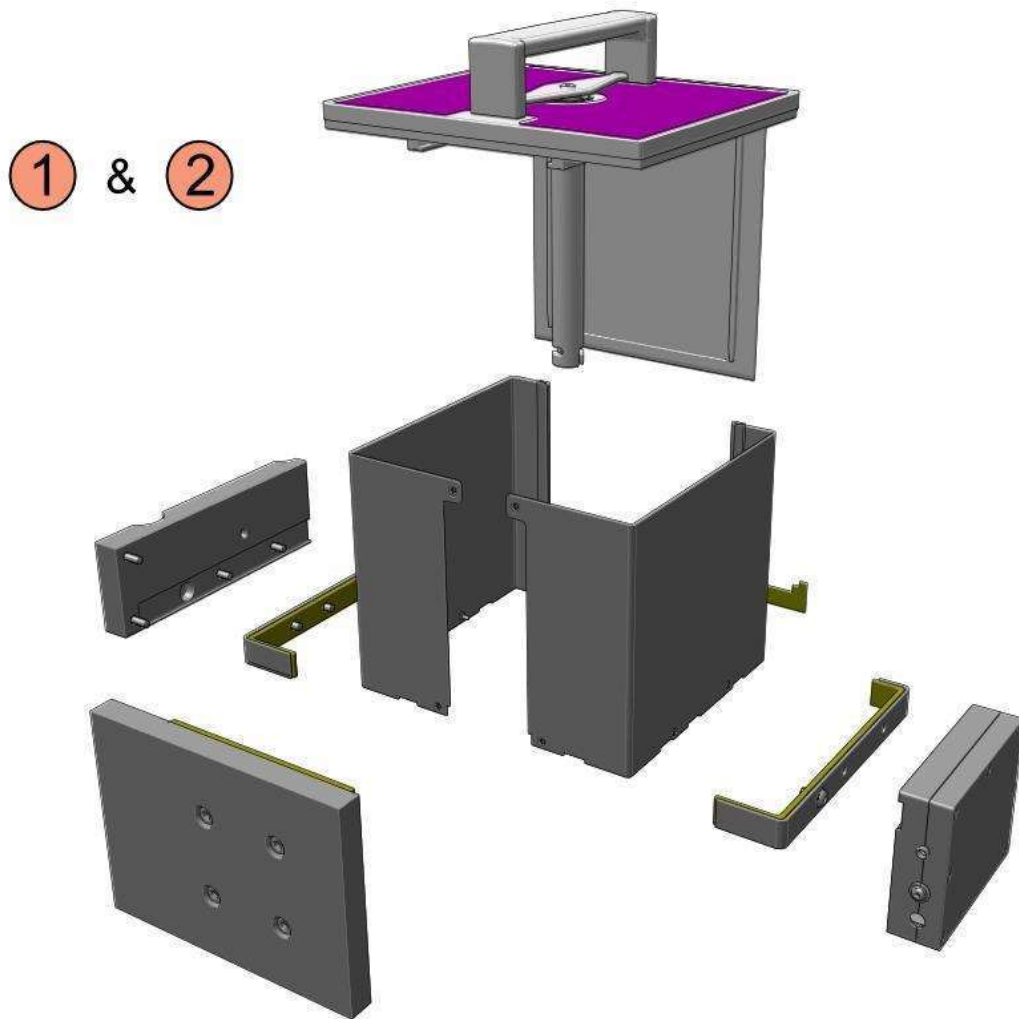


TV02165

Item	Part number	Description
1	10072375	SDX60 IP. 53mm Printer Window Bracket Kit (No Manual)
1	10069056	SDX60 IP. 53mm Printer Window Bracket Kit (With Manual)
1	10111072	SDX65 IP. 53mm Printer Window Bracket Washdown Kit

# SDX65 Washdown Kits Spare Parts

## SDX60/SDX65 IP 53mm Printer L Bracket Kit (With Manual)

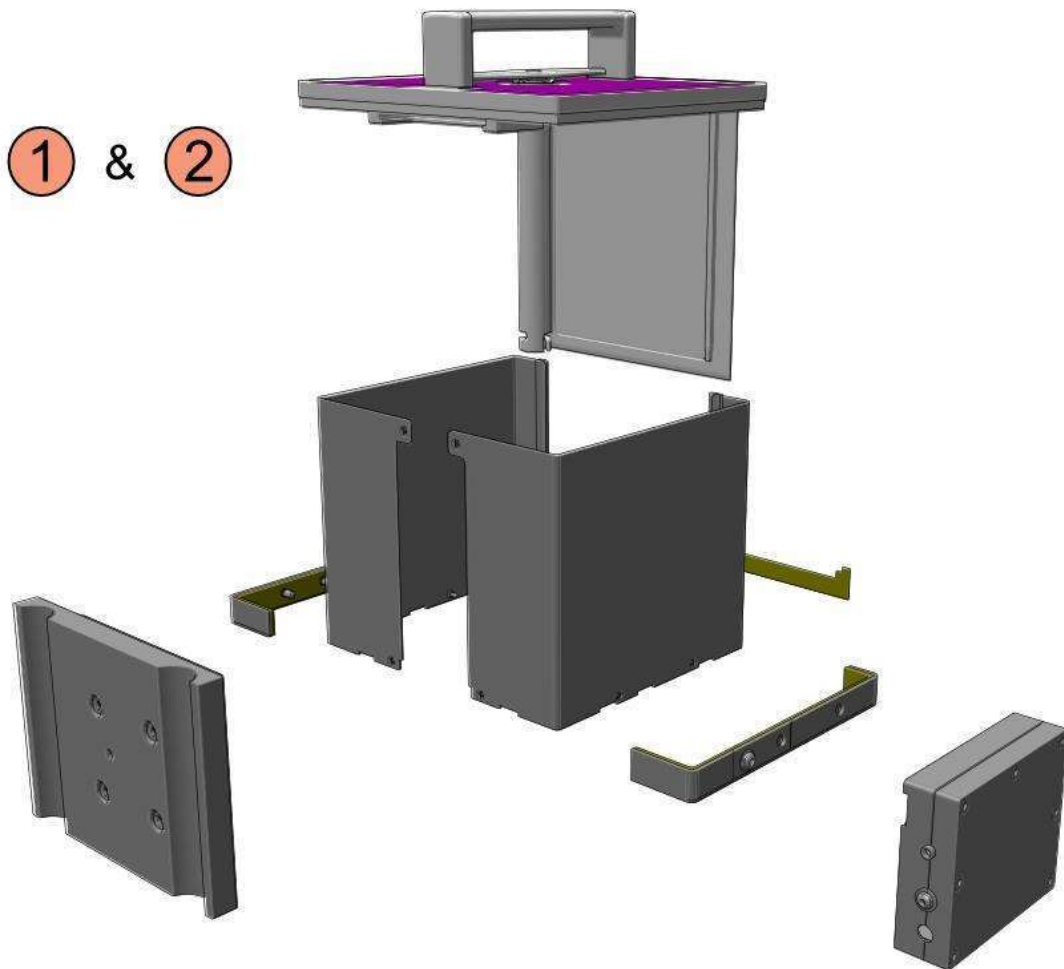


TV02166

Item	Part number	Description
1	10072355	SDX60 IP. 128mm Printer L Bracket Kit (With Manual)
1	10111079	SDX65-128 IP. Printer L Bracket Washdown Kit

# SDX65 Washdown Kits Spare Parts

## SDX60/SDX65 IP 128mm Printer Window Bracket Kit (With Manual)

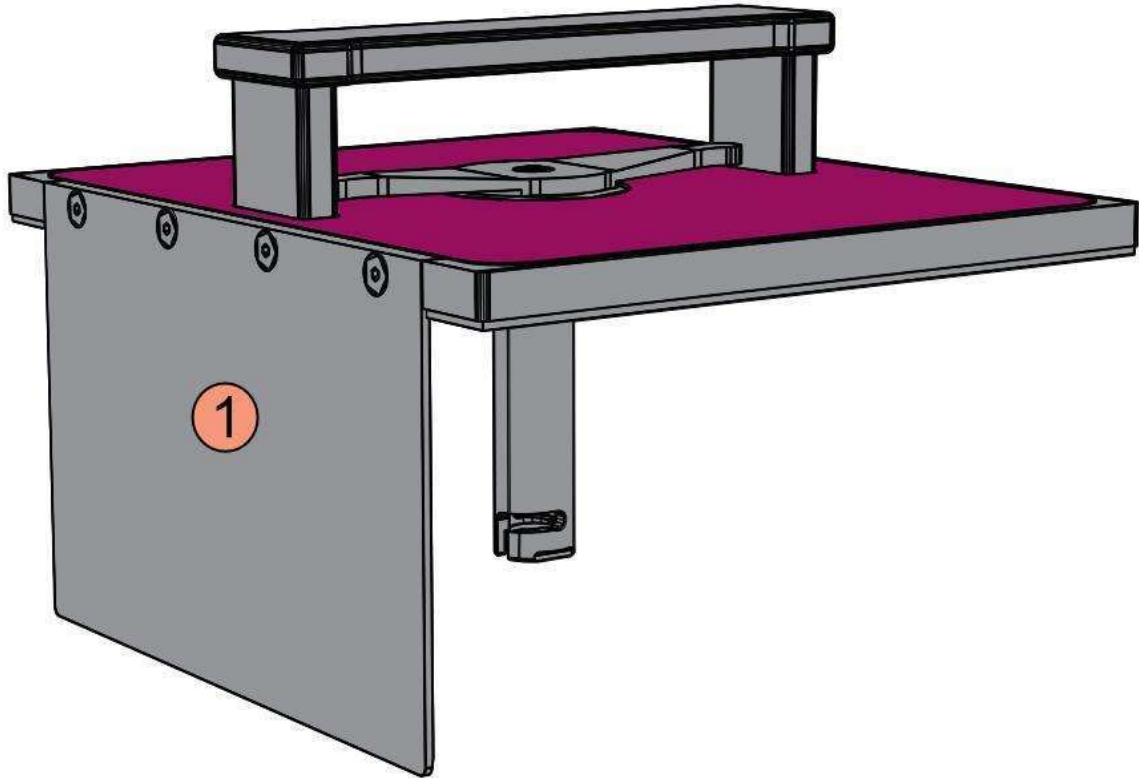


TV02167

Item	Part number	Description
1	10072378	SDX60 IP. 128mm. Printer Window Bracket Kit (No Manual)
1	10072326	SDX60 IP. 128mm. Printer Window Bracket Kit (With Manual)
1	10111078	SDX65-128 Printer Window Bracket IP. Washdown Kit

# SDX65 Washdown Kits Spare Parts

## SDX60/SDX65 IP 53mm Printer Cassette



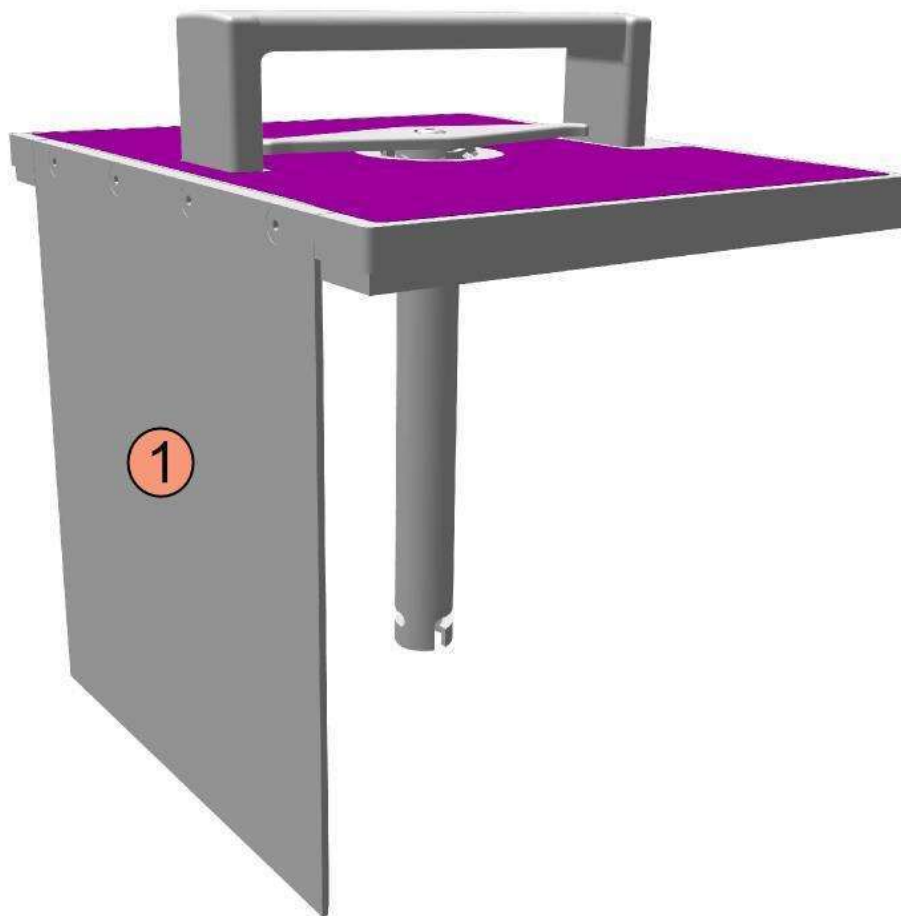
TV02168

---

Item	Part number	Description
1	ENM10069045	SDX60 IP. 53mm Printer. Cassette

# SDX65 Washdown Kits Spare Parts

## SDX60/SDX65 IP 128mm Printer Cassette



TV02169

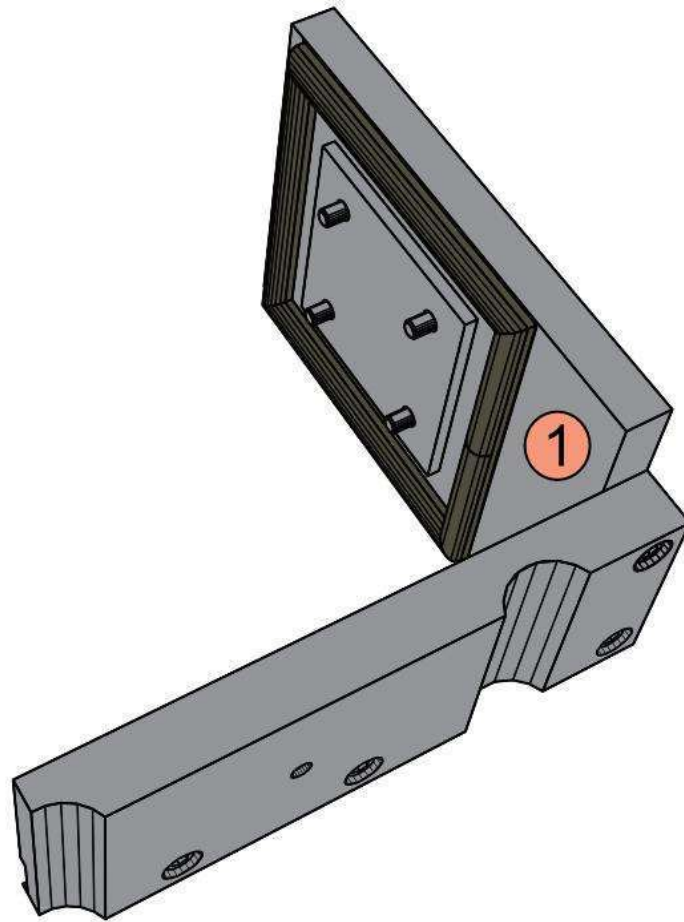
---

Item	Part number	Description
1	ENM10072328	SDX60 IP. 128mm. Printer. Cassette



# SDX65 Washdown Kits Spare Parts

## SDX60/SDX65 IP L Bracket Mount Assembly



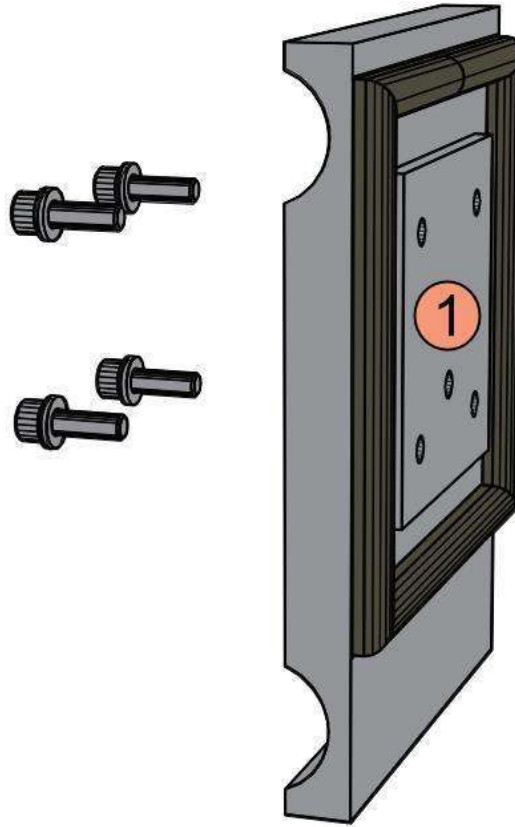
TV02170

---

Item	Part number	Description
1	ENM10063680	SDX40/SDX60 IP L Bracket Mount Assembly

# SDX65 Washdown Kits Spare Parts

## SDX60/SDX65 IP Head Slide Assembly

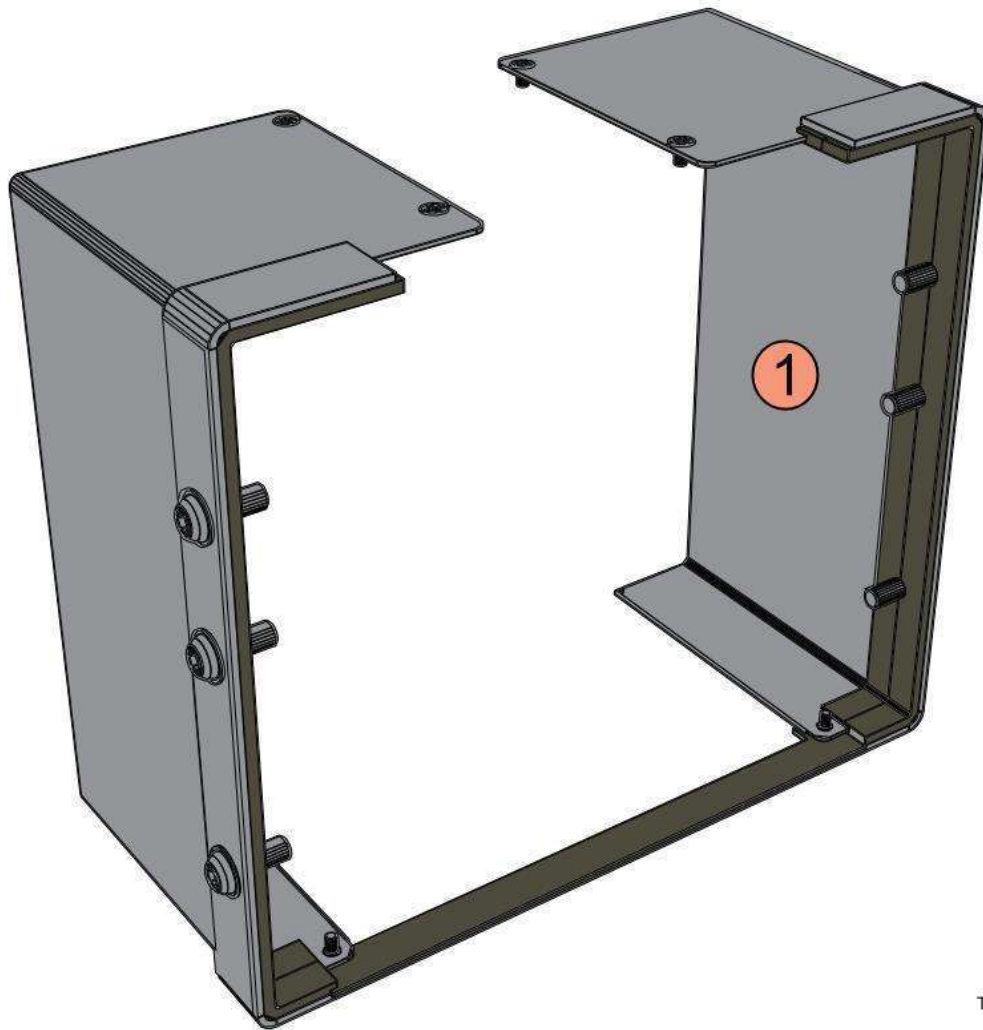


TV02171

Item	Part number	Description
1	ENM10063313	SDX40/SDX60 IP Head Slide Assembly

# SDX65 Washdown Kits Spare Parts

## SDX60/SDX65 IP 53mm Printer Cover Seal Assembly



TV02172

Item	Part number	Description
1	ENM10069047	SDX60 IP. 53mm Printer. Cover. Seal Assembly

# SDX65 Washdown Kits Spare Parts

## SDX60/SDX65IP 128mm Printer Cover Seal Assembly



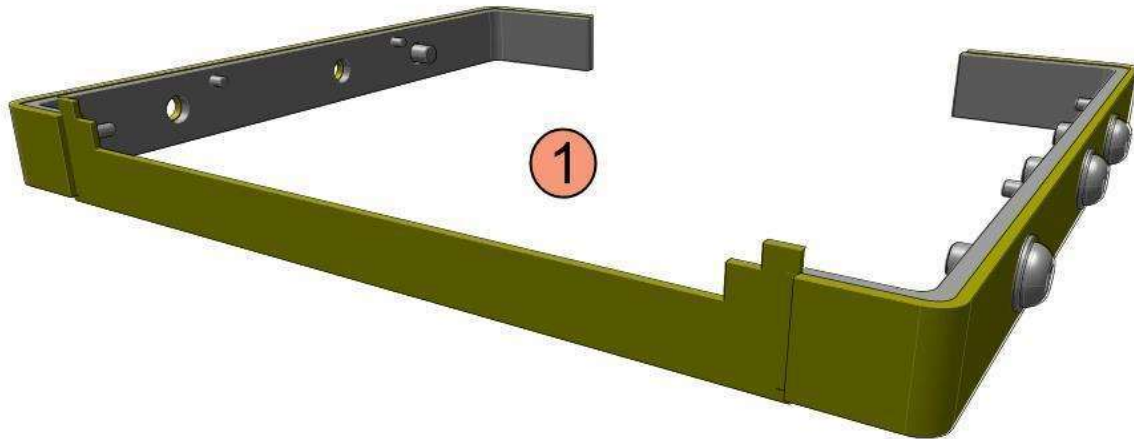
TV02173

---

Item	Part number	Description
1	ENM10072327	SDX60 IP. 128mm. Printer. Cover. Seal Assembly

# SDX65 Washdown Kits Spare Parts

## SDX60/SDX65 IP Gasket Kit



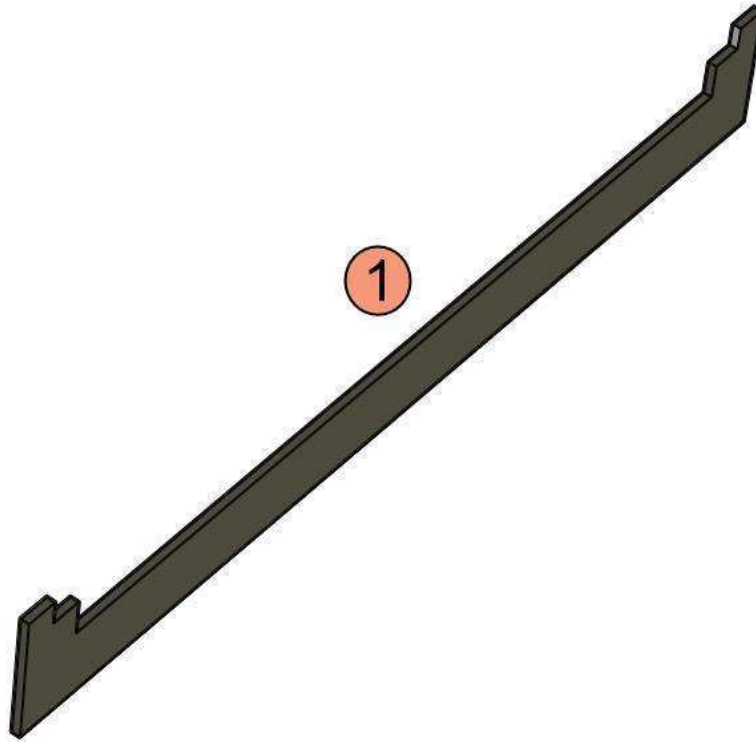
TV02174

---

Item	Part number	Description
1	ENM10072384	SDX60 IP. Gasket Kit

# SDX65 Washdown Kits Spare Parts

## SDX60/SDX65 IP Bottom Gasket



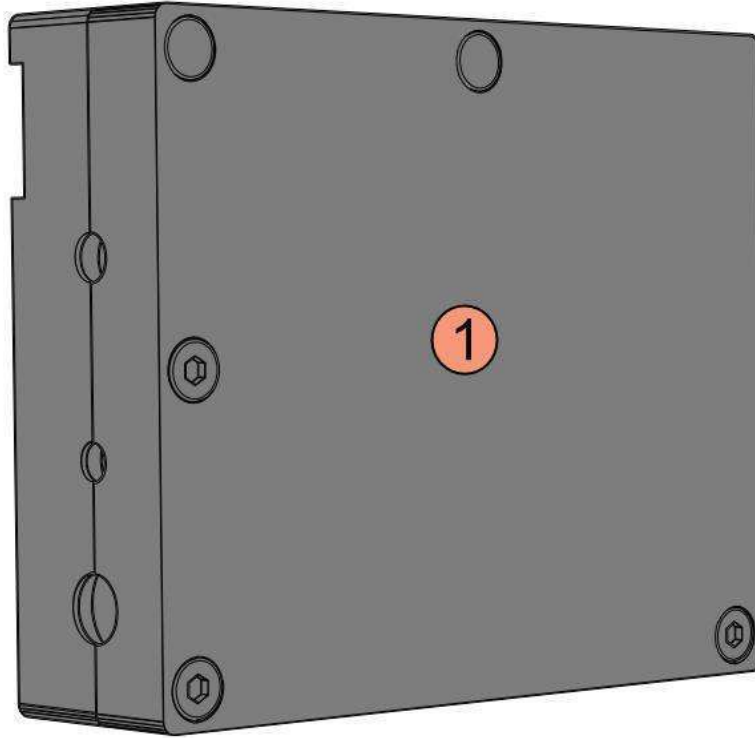
TV02175

---

Item	Part number	Description
1	10063142	SDX40/SDX60. IP. Bottom Gasket

# SDX65 Washdown Kits Spare Parts

## SDX60/SDX65 IP Cover Seal Assembly



TV02176

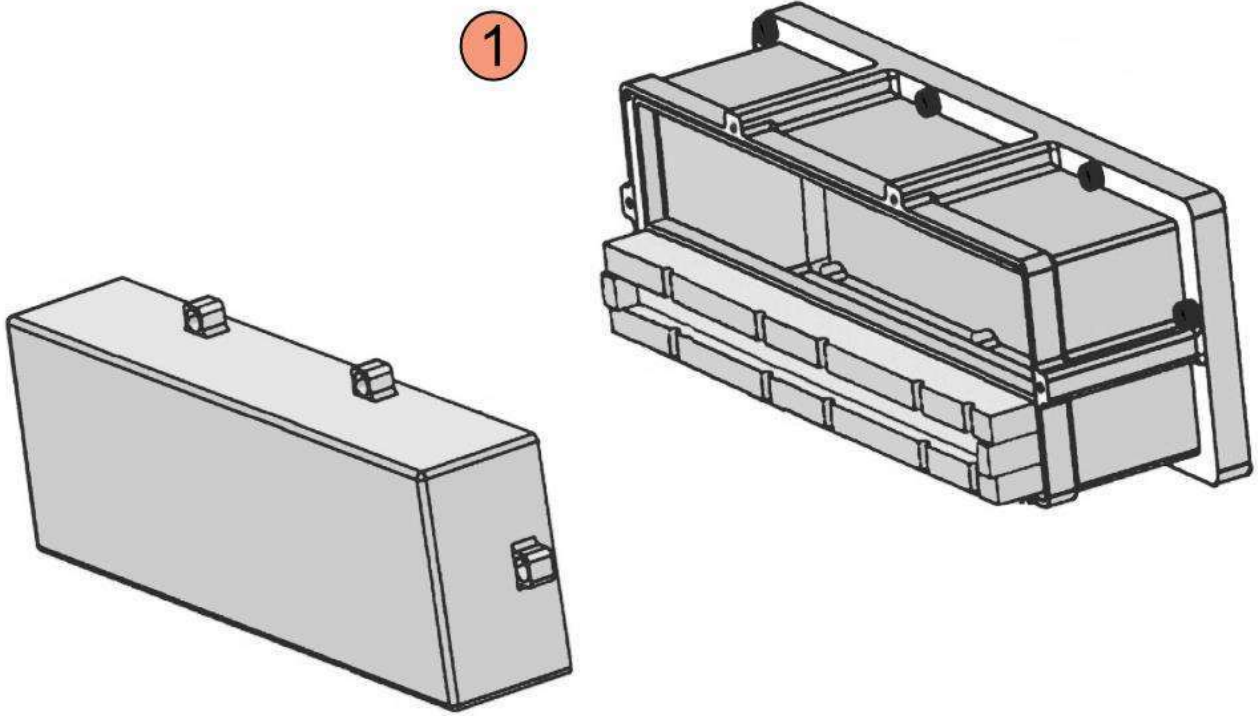
---

Item	Part number	Description
1	ENM10069046	SDX60 IP Cover Seal Assembly



# SDX65 Washdown Kits Spare Parts

## SD MUI Controller IP Washdown Kit



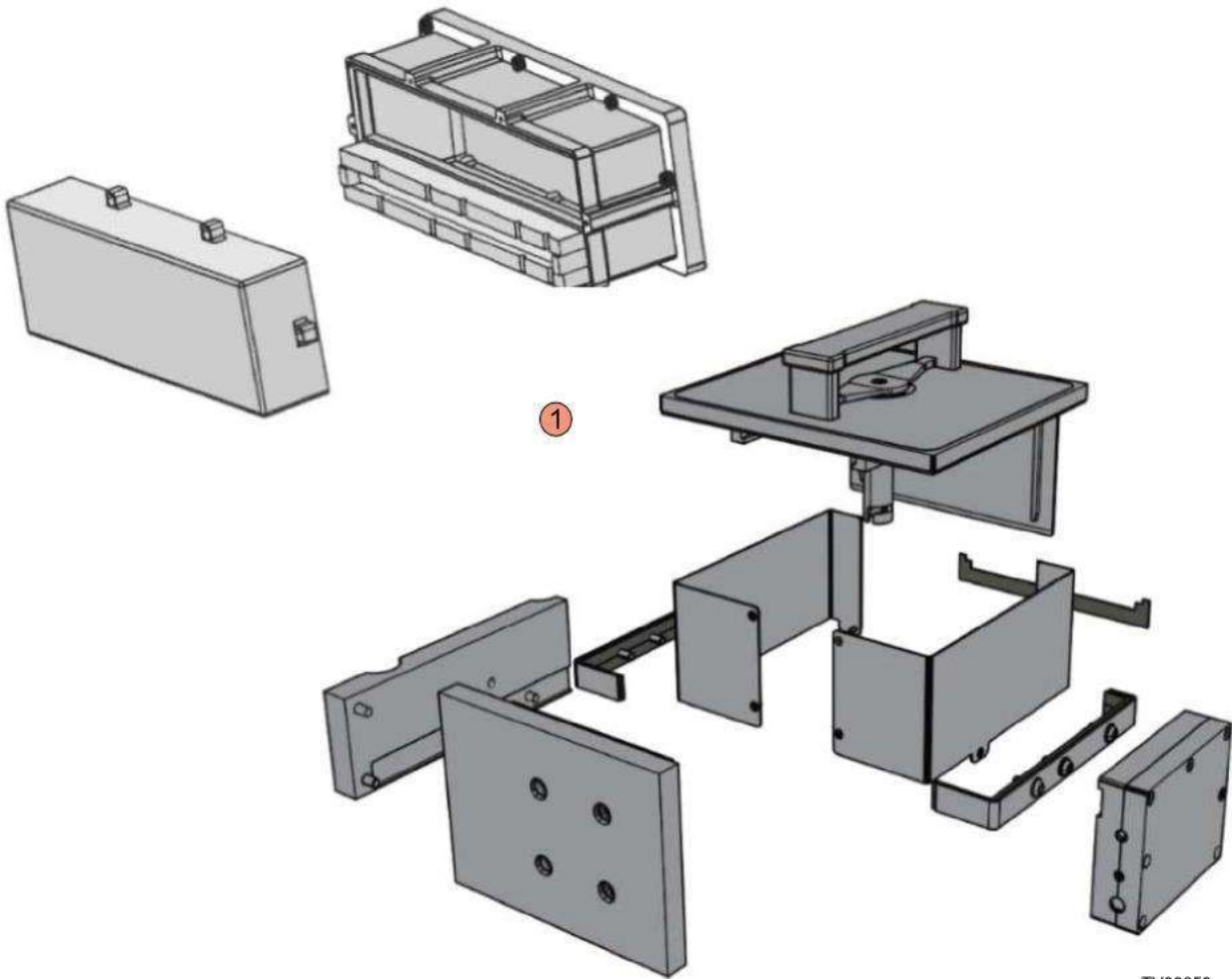
TV02080

---

Item	Part number	Description
1	10098870	SmartDate MUI Washdown. Kit

# SDX65 Washdown Kits Spare Parts

## SDX60/65 IP Printer L Bracket-MUI Kit

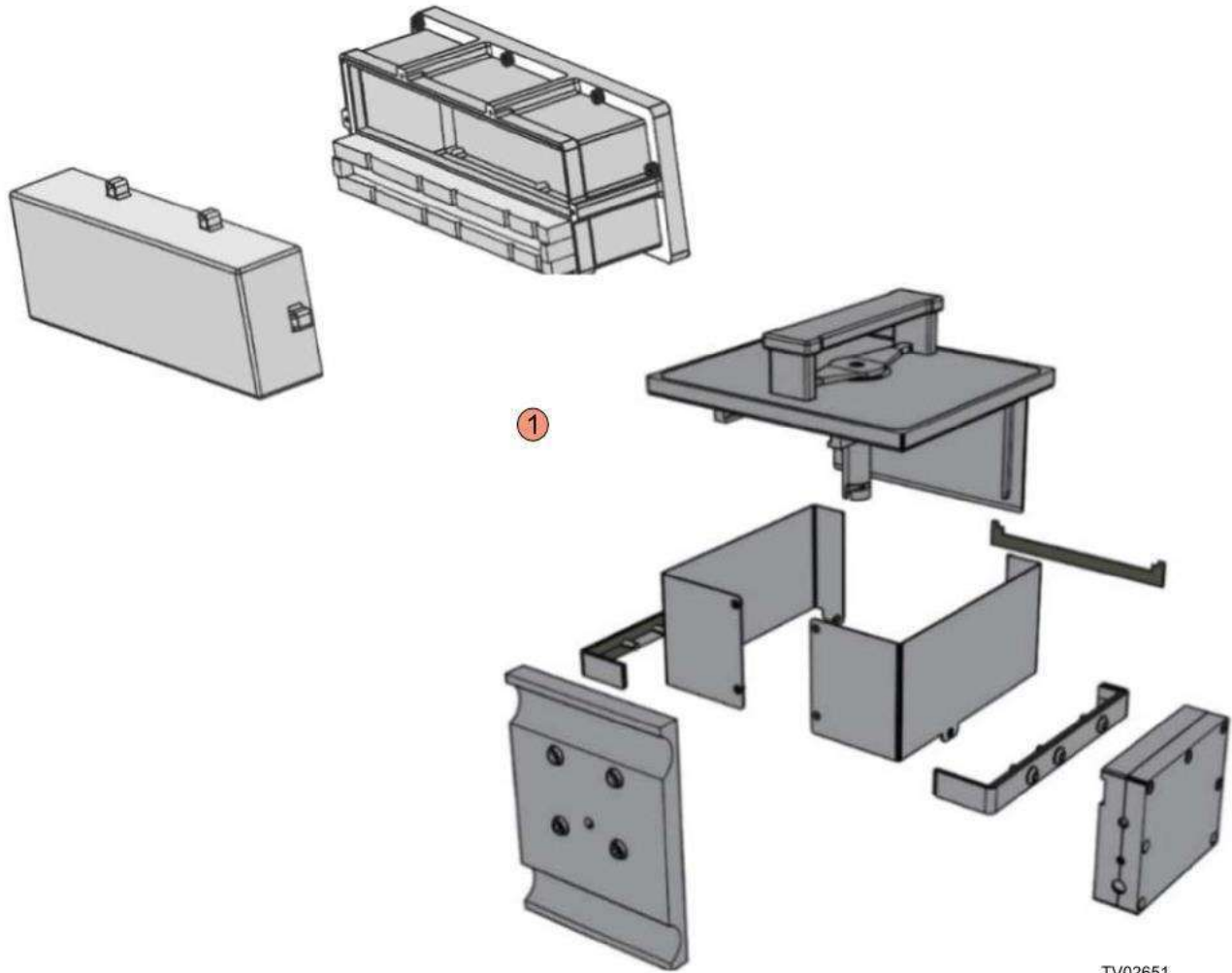


TV02650

Item	Part number	Description
1	10109119	X65 Printer. + MUI Controller Washdown L Bracket Kit

# SDX65 Washdown Kits Spare Parts

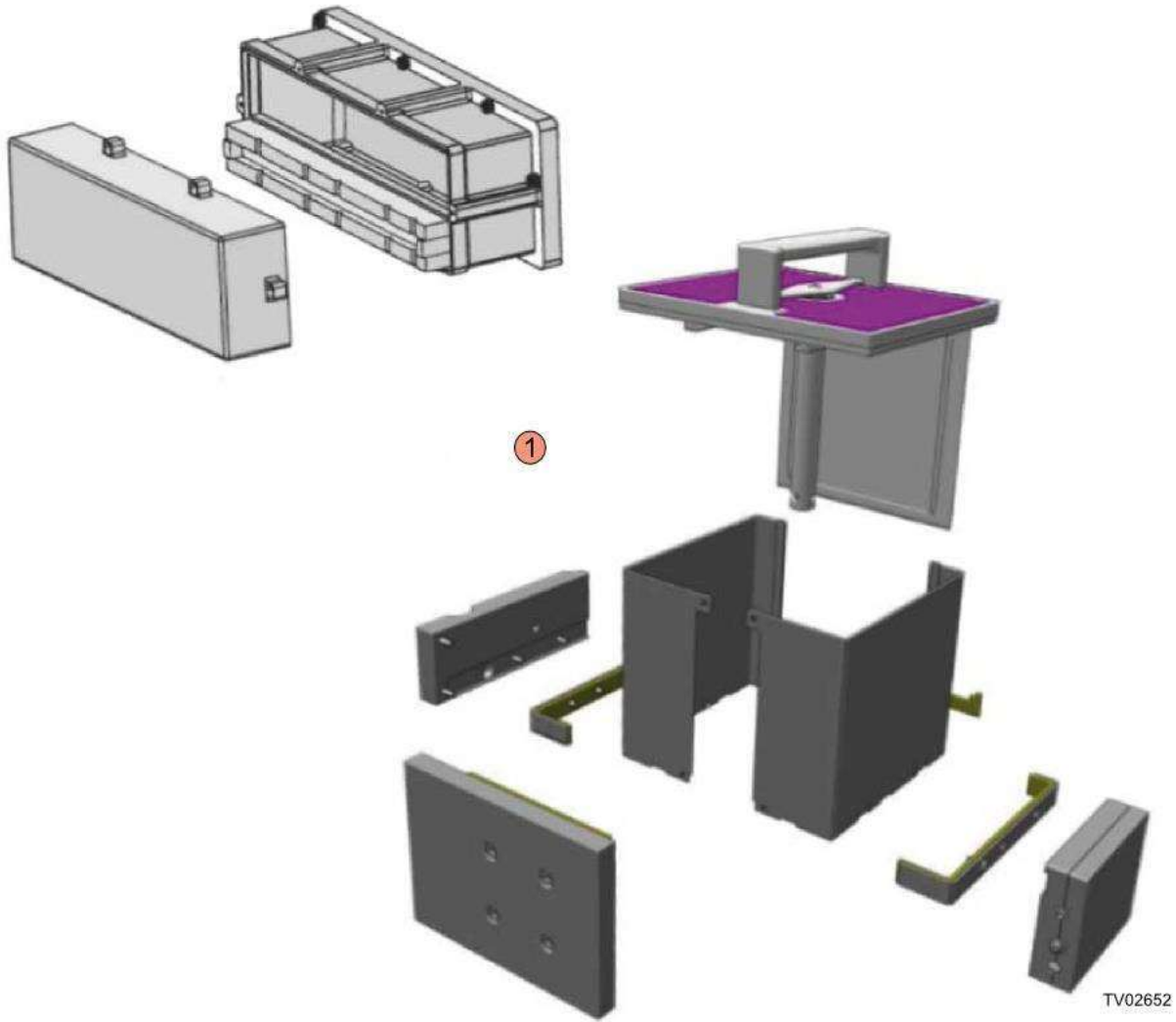
## SDX60/65 IP Printer Window Bracket-MUI Kit



Item	Part number	Description
------	-------------	-------------

# SDX65 Washdown Kits Spare Parts

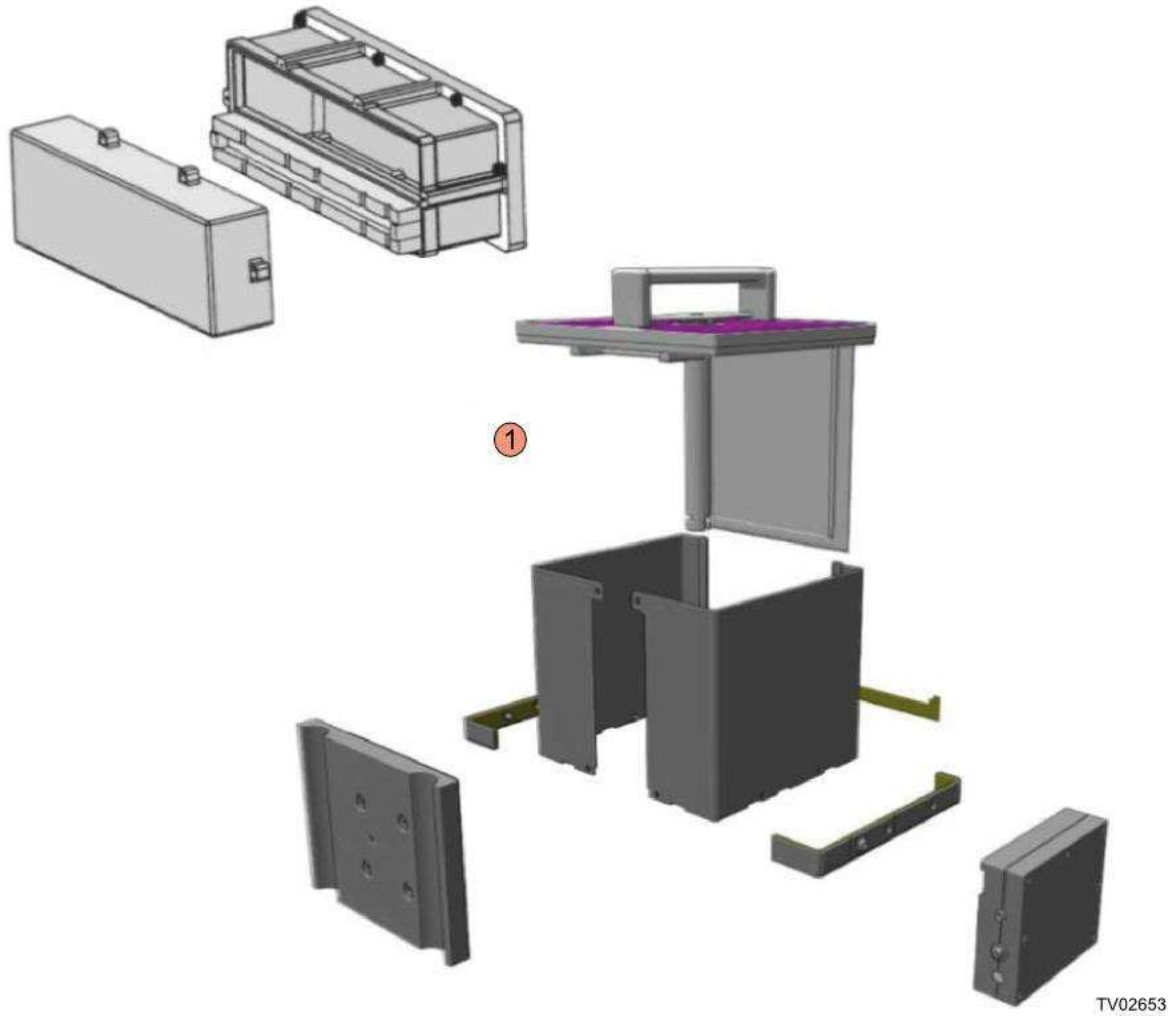
## SDX60/65/128 IP Printer L Bracket-MUI Kit



Item	Part number	Description
------	-------------	-------------

# SDX65 Washdown Kits Spare Parts

## SDX60/65/128 IP Printer Window Bracket-MUI Kit



Item	Part number	Description
------	-------------	-------------

# Consumables/Spares Kits

## Cleaning wipes & Anvil rubbers

1 & 2



3



4



TV02159

Item	Part number	Description
1	5824648	Cleaning Wipes (Pack 100)
2	8000189	Cleaning wipes (Pack x 100)
3	35688BA	Anvil Pads
4	5300618	Anvil Pads

# Consumables/Spares Kits

## Hardware kits



TV02160

Item	Part number	Description
1	ENM10059406	Printer hardware kit
2	ENM10059407	Cassette hardware kit
3	ENM10059408	Controller hardware kit