

Catalog accessories - spare parts

Thermal transfer - SmartDate

SmartDate X45



Markem-Image Industries Ltd.
Alexander Fleming Building
Nottingham Science Park
University Boulevard
Nottingham NG7 2 QN
Tel.: +44(0)115 943 0055

Inkjet Partner

Service am Punkt 

Inkjet-Partner Handelsgesellschaft mbH
Aumühlweg 17-19, Halle 12D
2544 Leobersdorf



markem·imaje

a  company

■ Consignes de sécurité



Read Instruction manual + DVD-Rom

AVERTISSEMENT : avant d'utiliser l'imprimante, veuillez lire attentivement les informations concernant la sécurité et l'installation présentes dans la notice d'instructions, ainsi que la fiche de sécurité (FDS) pour les consommables utilisés.

■ Recyclage



Élimination des piles et accumulateurs usagés (applicable dans les pays de l'union européenne et aux autres pays européens disposant de systèmes de collecte sélective).



Élimination des appareils électriques et électroniques usagés (applicable dans les pays de l'union européenne et aux autres pays européens disposant de systèmes de collecte sélective).

Ces symboles indiquent que l'appareil électrique et électronique en fin de vie ainsi que les piles et accumulateurs qui le constituent, ne doivent pas être traités comme de simples déchets ménagers. En vous assurant que ces éléments sont mis au rebut de façon appropriée, vous participez activement à la prévention des conséquences négatives que leur mauvais traitement pourrait provoquer sur l'environnement et sur la santé humaine. Le recyclage des matériaux contribue à la préservation des ressources naturelles. En confiant votre appareil électrique en fin de vie à une société dûment habilitée, vous vous assurez que tous les éléments incorporés seront traités correctement.

Pour tous les autres cas de figure et afin d'enlever les piles, les accumulateurs ou autres matériaux en toute sécurité de votre appareil, reportez-vous au manuel d'utilisation ou contactez votre représentant Markem-Imaje.

■ Safety Instructions



Read Instruction manual + DVD-Rom

WARNING: before using the printer, please carefully read the information concerning safety and installation in the instruction manual and the Safety Data Sheet (SDS) for the consumables used.

■ Recycling



Disposal of used batteries and rechargeable batteries (applicable in European Union countries and other European countries with selective waste collection systems).



Disposal of used electrical and electronic equipment (applicable in European Union countries and other European countries with selective waste collection systems).

These symbols indicate that the electrical and electronic device, and the batteries and rechargeable batteries therein, must not be disposed of at the end of its life as ordinary municipal solid waste. By ensuring that these items are disposed of appropriately, you play an active role in avoiding the harmful consequences that incorrect disposal could have on the environment and human health. The recycling of materials contributes to the preservation of natural resources.

By entrusting your end-of-life electrical devices to a duly authorized disposal company, you ensure that all the items therein will be handled correctly.

In all other cases and in order to safely remove batteries, rechargeable batteries and other materials, see the user manual or contact your Markem-Imaje representative.

GEN-FR-EN-TTO

■ Programme d'échange standard

Les pièces de remplacement sont disponibles à l'occasion du "programme échange standard Markem-Imaje". Il s'agit de pièces re-conditionnées : les composants usés ou endommagés ont été remplacés. Ces pièces sont identifiées dans le catalogue client par une référence spécifique commençant par ENR.

Pièce neuve	Référence
Pièce de remplacement	ENMXXXXX ENRXXXXX

Les pièces de remplacement sont disponibles dans les conditions suivantes:

- une pièce reconditionnée contient des composants recyclés,
- la pièce d'origine défectueuse doit être renvoyée à Markem-Imaje. Elle devient la propriété de Markem-Imaje,
- la pièce d'origine défectueuse n'a pas été modifiée, détériorée et aucun composant n'a été enlevé,
- l'utilisation de la pièce d'origine défectueuse et les instructions de maintenance ont été respectées,
- les procédures de nettoyage et de vidange de la pièce d'origine défectueuse ont été respectées.

■ Comment commander ?

Les commandes peuvent être passées par mail, fax ou téléphone. Dans ce dernier cas une confirmation écrite est nécessaire.

Pour les commandes de pièces ou accessoires, contacter votre représentant Markem-Imaje.

Les précisions suivantes doivent apparaître sur les commandes de pièces détachées:

Référence Markem-Imaje de la pièce, désignation, quantité désirée, date de livraison demandée, instructions d'expédition, numéro de commande.

■ Code observation



Les articles précédés de ce code ne sont pas des articles vendables client. Contacter votre revendeur Markem-Imaje ou votre Distributeur.



Les articles précédés de ce code ne sont pas des articles vendables client mais sont des documents disponibles au format pdf. Contacter votre revendeur Markem-Imaje ou votre Distributeur.

Pour matériel de marquage et de codage. Les photographies et illustrations ne sont pas contractuelles. L'original de ce document a été rédigé en anglais. Seul le texte anglais de ce document est authentique et fait foi en cas de conflit. Markem-Imaje se réserve le droit de modifier les spécificités de son produit sans préavis. Toute reproduction, même partielle, de ce document est interdite. Traduction du manuel d'origine : le manuel d'origine (en anglais) est disponible sur le DVD-ROM fourni avec l'imprimante.

© 2014 Markem-Imaje Tous droits réservés. Version française

■ Part Exchange Program

Replacement parts are available under the Markem-Imaje Part Exchange Program. These are reconditioned parts, all worn or damaged components have been replaced. These parts are identified in the catalog by a specific reference prefix ENR, e.g.:

	Part number
New Part	ENMXXXXX
Replacement Part	ENRXXXXX

Replacement parts are available under the following conditions:

- a reconditioned part contains recycled components,
- the defective original part must be returned to Markem-Imaje and it becomes the property of Markem-Imaje,
- the defective original part has not been modified or damaged and no component has been removed,
- proper use has been made of the defective original part and the maintenance instructions have been complied with,
- cleaning and draining procedures for the defective original part have been followed.

■ How to order?

Order may be sent by mail, fax or telephone. Written confirmation is required in the case of telephone orders.

To order parts, contact the markem-Imaje representative.

The following information should be shown on orders for replacement parts or accessories:

Markem-Imaje part reference number, description, quantity required, required delivery date, delivery instructions, purchase order number.

■ Observation code



The articles preceded by this symbol are not saleable to customers. Contact your MI Reseller or your Partner.



The articles preceded by this symbol are not saleable to customers but document available in pdf format. Contact your MI Reseller or your Partner.

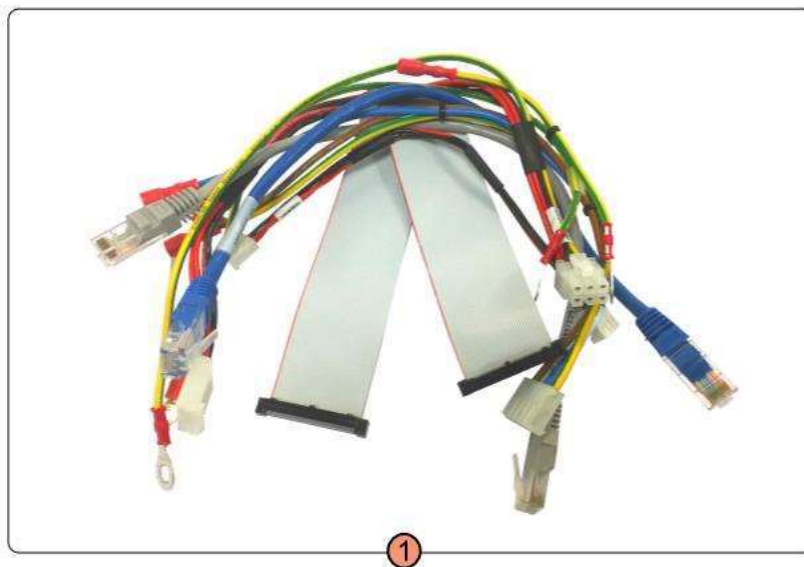
For Marking & Coding Equipment. Photographs and drawings are not binding in detail. Original manual. This document was originally written in English. The English text of this document shall alone be authentic and shall prevail in the event of a dispute. Markem-Imaje reserves the right to modify the specifications of its products without prior notice. Any reproduction, even partial, of this document is prohibited.

© 2015 Markem-Imaje All Rights Reserved. English version

GEN-FR-EN-TT02

Electrical/electronic components

MUI SDX45 Internal Cables Kit



TV02069

Item	Part number	Description
1	ENM10082454	TTO - MUI X45 INTERNAL CABLES KIT

Electrical/electronic components

Cables



TV02161

Item	Part number	Description
1	EN5686441	Printer power and signals cable (1.0m)
1	EN5686443	Printer power and signals cable (3.0m)
1	EN5686445	Printer power and signals cable (10.0m)
2	EN5686420	Low profile printer power and signals cable (1.0m)
2	EN5686412	Low profile printer power and signals cable (3.0m)
2	EN5825011	Low profile printer power and signals cable (5.0m)
2	EN5686423	Low profile printer power and signals cable (10.0m)
3	5824628	I/O cable UL assembly
4	5686405	Ethernet Cable
5	5686406	PC crossover local area network cable (Ethernet - RJ45)
6	5824644	Communication 232 cable assembly (9 way D type)
7	ENM10001216	RS422 Encoder interface cable assembly
8	ENM10056007	Encoder adaptor cable assembly (15 way D type)
9	A41382	Encoder cable
10	ENM5825211	Encoder adaptor cable assembly (9 way D type)

Electrical/electronic components

Main Supply Cable

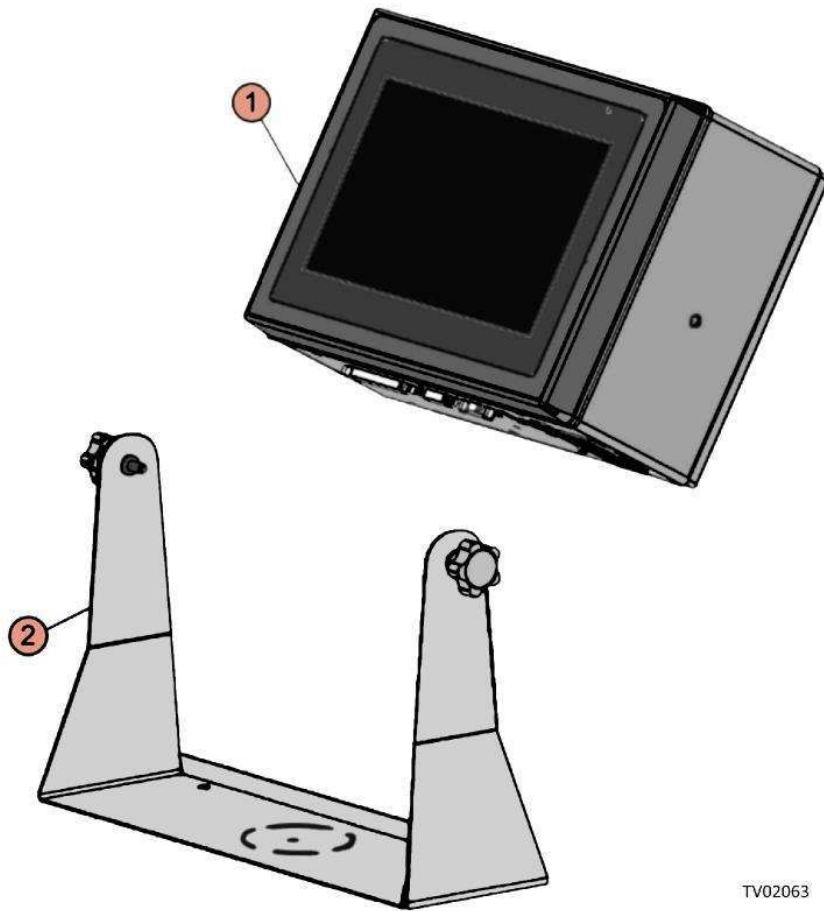


TV02162

Item	Part number	Description
1	5686230	IEC320 mains lead European colour 5.0m
2	5686229	IEC320 mains lead North America colour 5.0m
3	A41522	Main Supply Cable - Argentina standard - 2 m
4	A35322	Main Supply Cable - Oceanic standard - 2 m
5	A51494	Main Supply Cable - Korea standard - 2 m

Controller

SDX45 MUI Controller Assembly

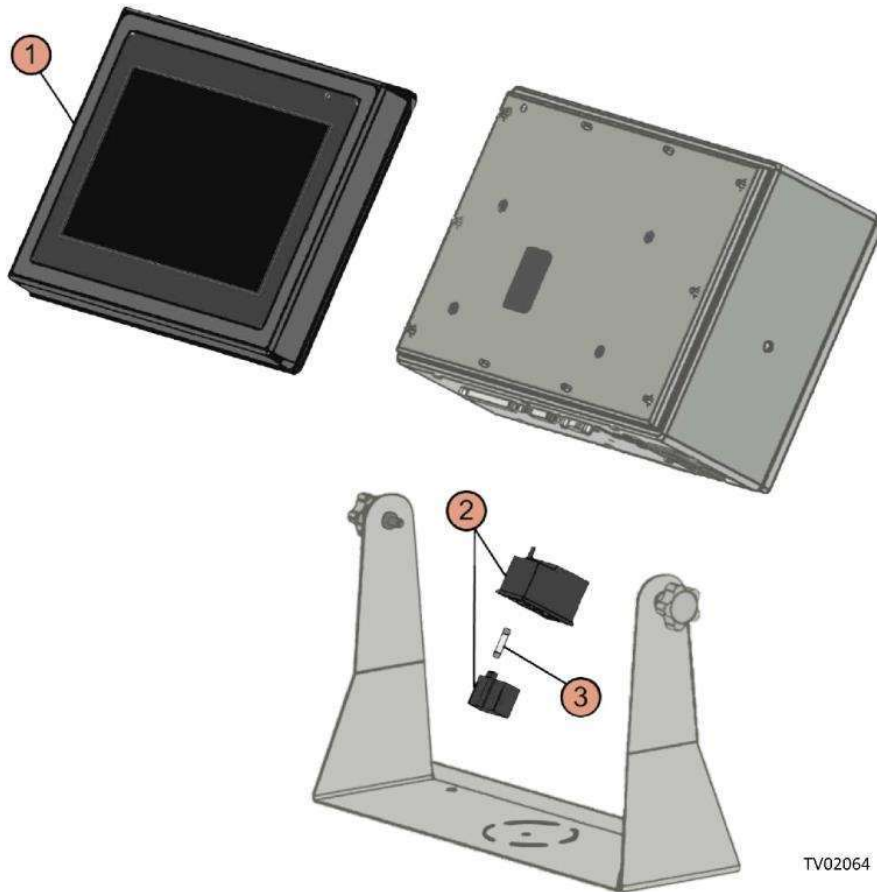


TV02063

Item	Part number	Description
1	ENM10082399	TTO - X-45 - SPARE X45 MUI CONTROLLER ASSEMBLY
2	ENM10090243	MUI Mounting Bracket Kit

Controller

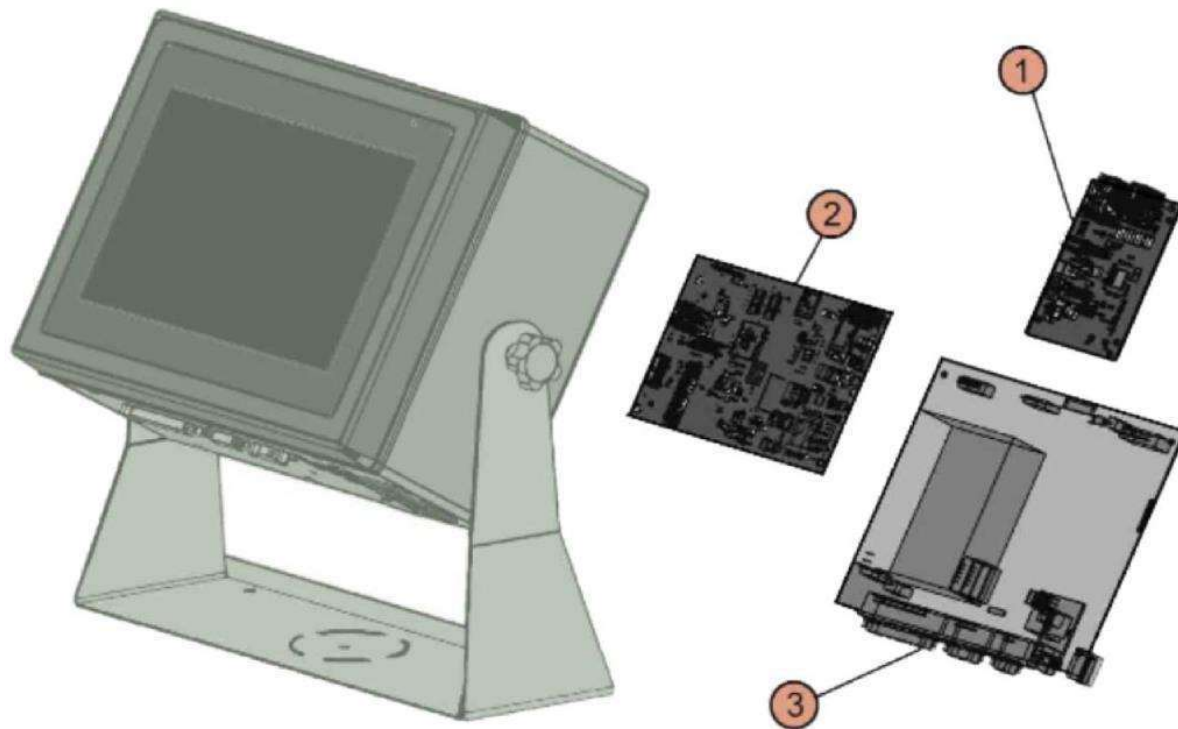
SDX45 Front Panel Kit



Item	Part number	Description
1	ENM10082418	TTO - MUI X45 FRONT PANEL KIT
2	ENM10055578	Power Entry Spares Kit
3	B04297AA	Fuse T5A 20MM HRC RoHS

Controller

MUI Controller PCB Assemblies

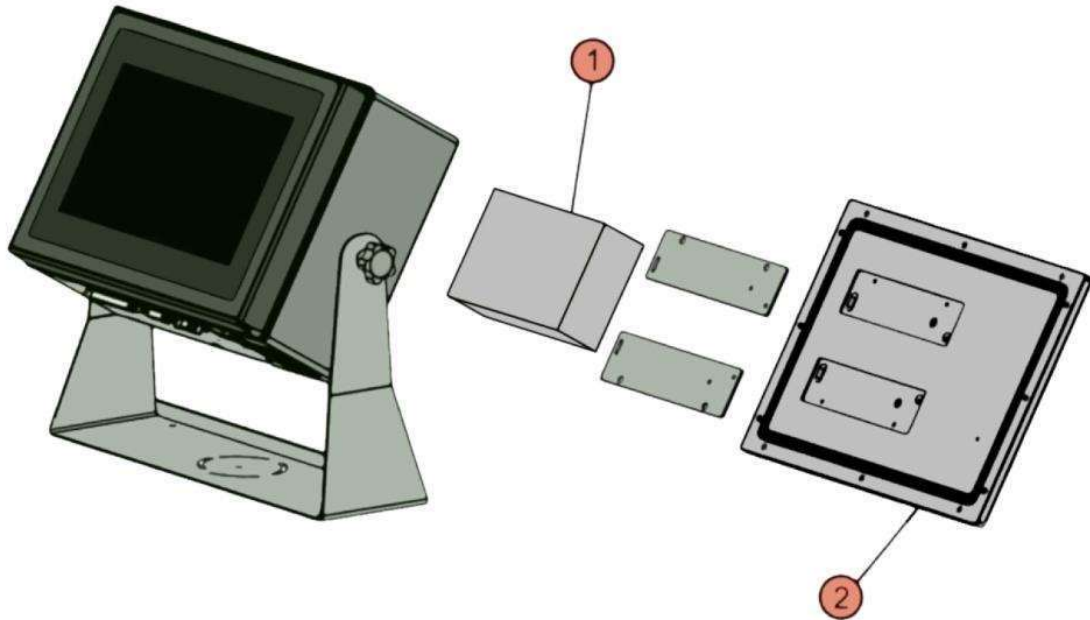


TV02065

Item	Part number	Description
1	ENM10094204	TTO - XS - MUI POE PCB
2	ENM10080755	TTO - XS - MUI MOTHERBOARD PCB
3	ENM10104226	X45 X65 Controller Board Assy Spare

Controller

Controller PSU

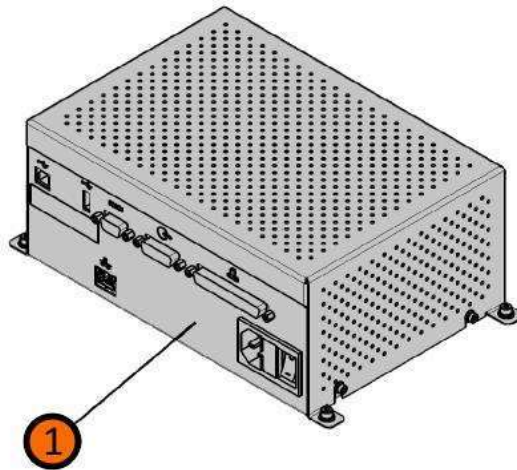


TV02066

Item	Part number	Description
1	ENM10051761	TTO - XS - X40 CONTROLLER PSU
2	ENM10101279	TTO - XS - MUI HEATSINK KIT

Controller

SDX45 OEM Connect Controller Assembly

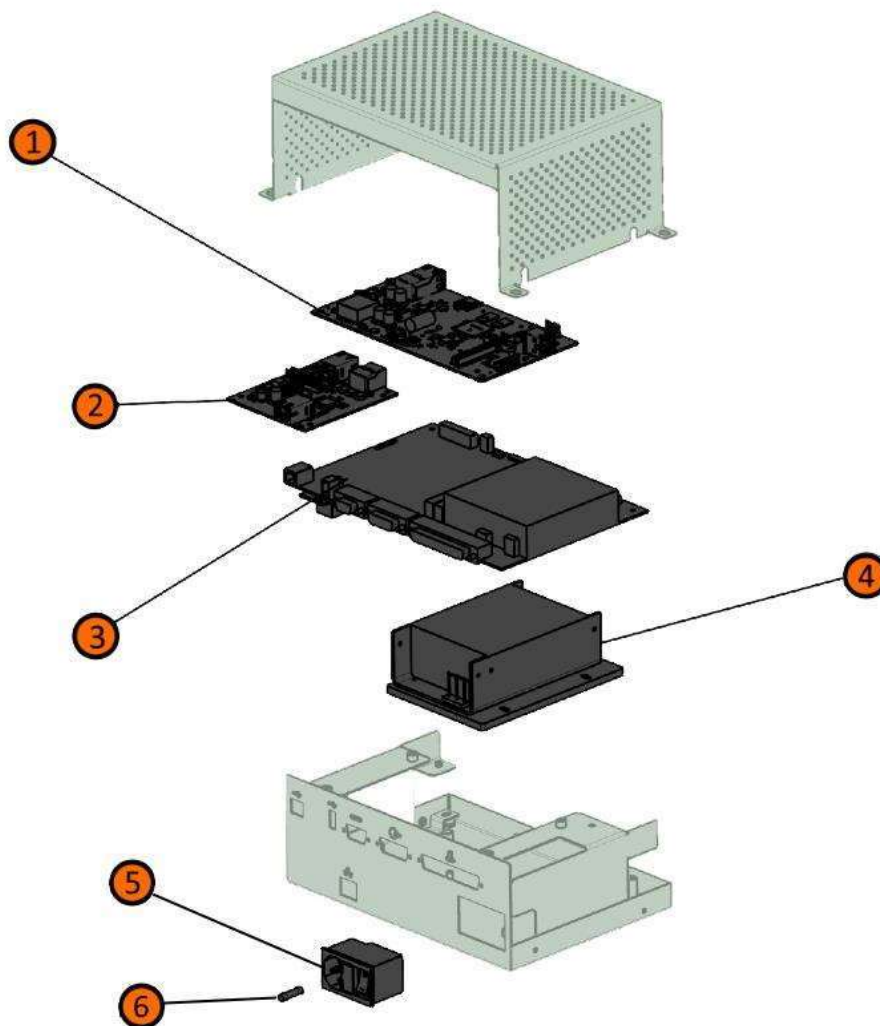


TV02640

Item	Part number	Description
1	ENM10108010	SPARE X45 OEM CONNECT CONTROLLER

Controller

SDX45 OEM Connect PCB Assemblies

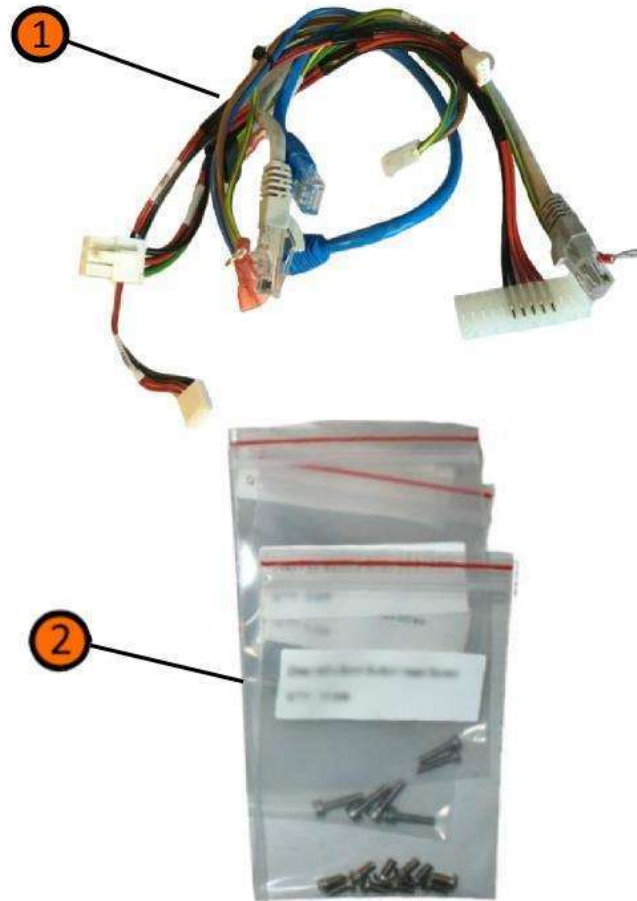


TV02641

Item	Part number	Description
1	ENM10080755	TTO - XS - MUI MOTHERBOARD PCB
2	ENM10094204	TTO - XS - MUI POE PCB
3	ENM10104226	X45 X65 Controller Board Assy Spare
4	ENM10109130	X45 OEM PSU.ASSY
5	ENM10055578	Power Entry Spares Kit
6	B04297AA	Fuse T5A 20MM HRC RoHS

Controller

SDX45 OEM Connect Internal Cables and Fastner Kits

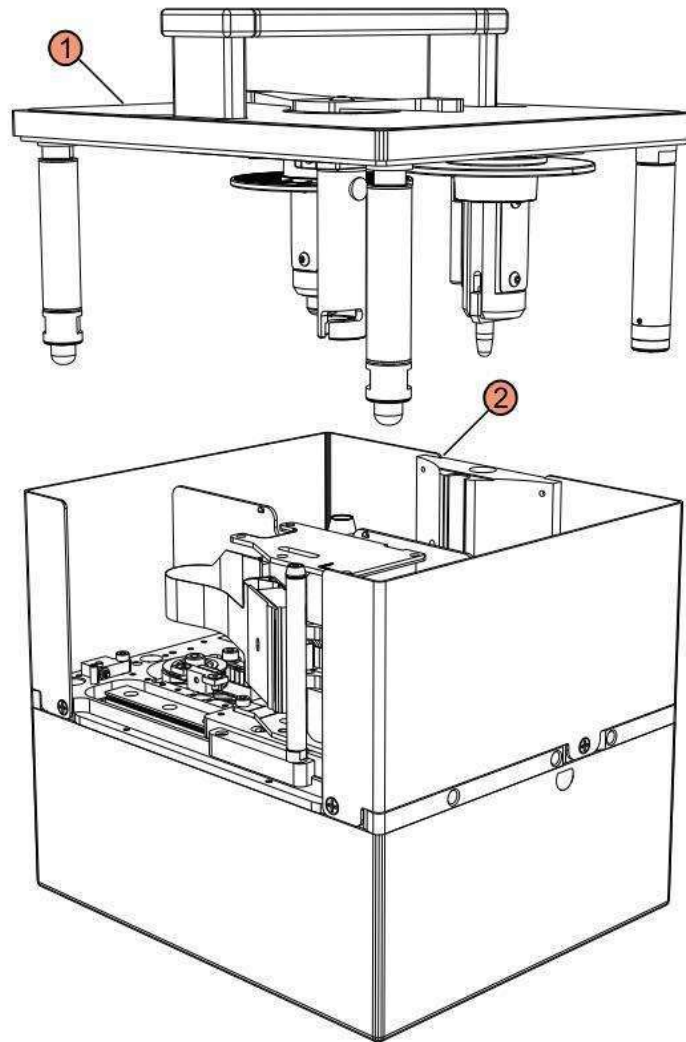


TV02642

Item	Part number	Description
1	ENM10108013	X45 OEM Connect Internal Cables Kit
2	ENM10108015	OEM Connect Fasteners Kit

Printers & Cassettes

32mm Intermittent Printer and Cassette (Left hand)

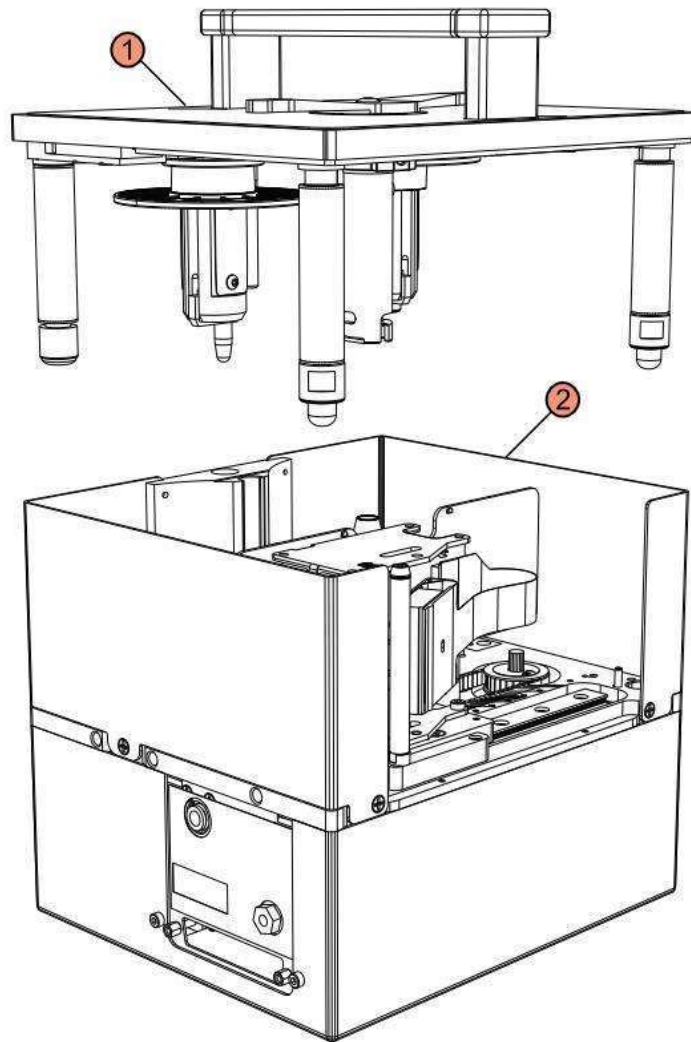


TV02072

Item	Part number	Description
1	ENM10098418	TTO - SPARE SDX45 32MM LH CASS ONLY
2	ENM10098402	TTO - PRINTER-X45 INT LH INTEGRATED FLEX 32MM

Printers & Cassettes

32mm Continuous Printer and Cassette (Right hand)

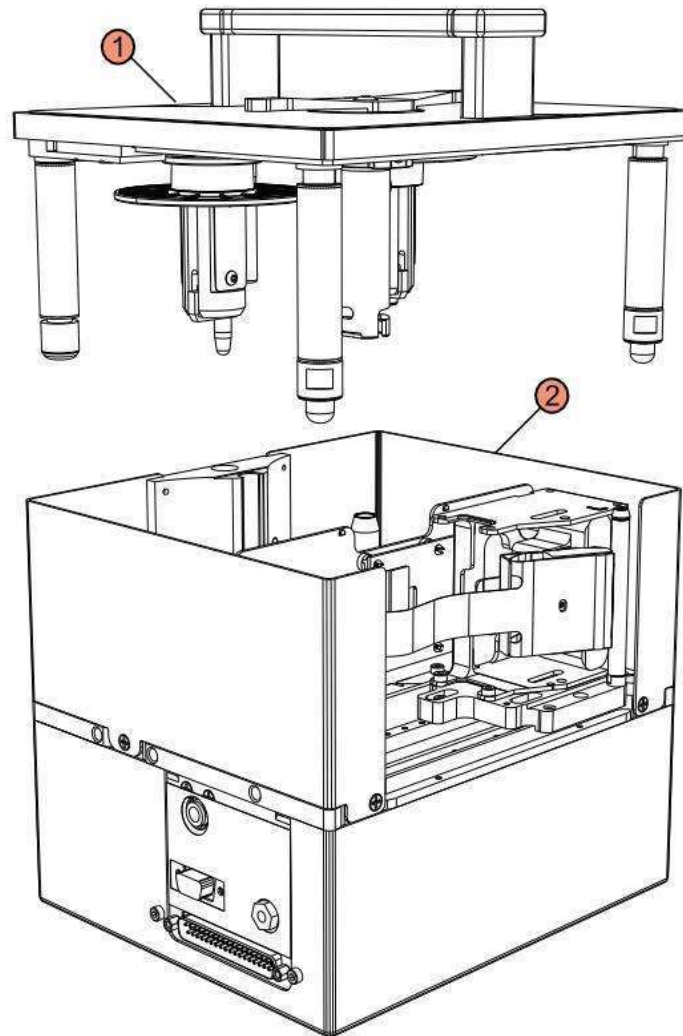


TV02073

Item	Part number	Description
1	ENM10098419	TTO - X-45 - SPARE SDX45 32MM RH CASS ONLY
2	ENM10098399	TTO - PRINTER-X45 CONT RH INTEGRATED FLEX 32MM

Printers & Cassettes

32mm Continuous Printer and Cassette (Left hand)

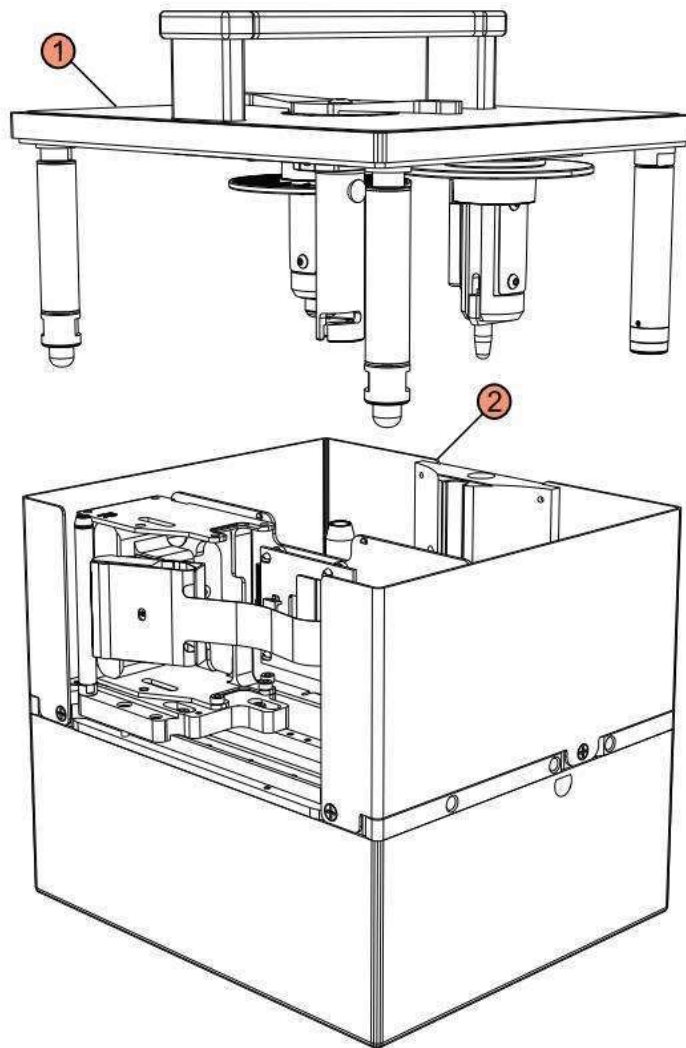


TV02074

Item	Part number	Description
1	ENM10098418	TTO - SPARE SDX45 32MM LH CASS ONLY
2	ENM10098398	TTO - PRINTER-X45 CONT LH INTEGRATED FLEX 32MM

Printers & Cassettes

32mm Continuous Printer and Cassette (Right hand)

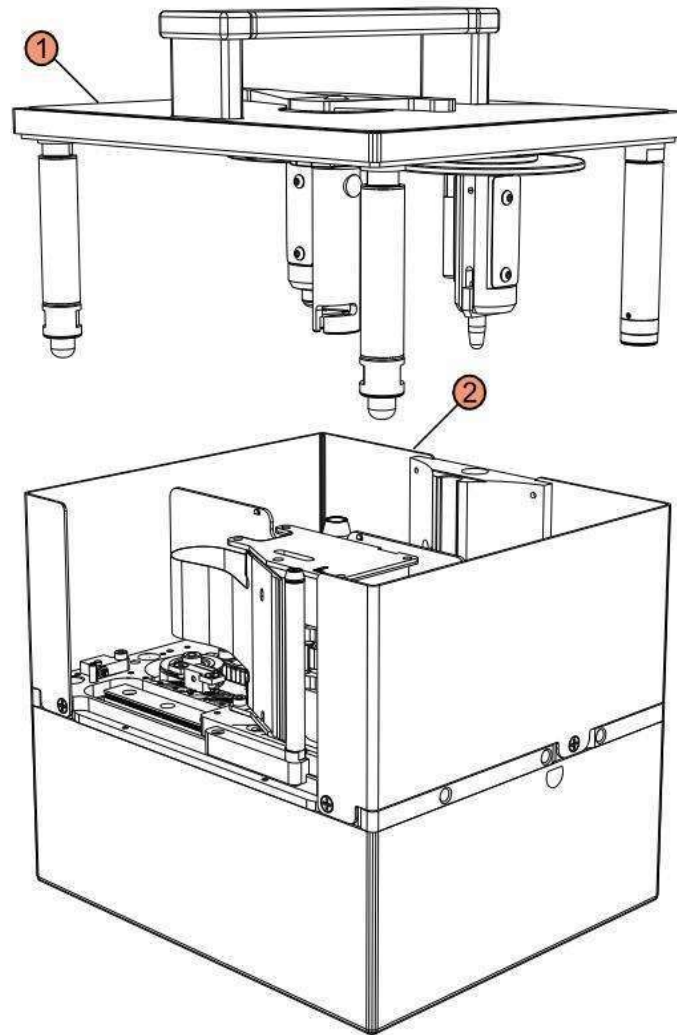


TV02075

Item	Part number	Description
1	ENM10098419	TTO - X-45 - SPARE SDX45 32MM RH CASS ONLY
2	ENM10098399	TTO - PRINTER-X45 CONT RH INTEGRATED FLEX 32MM

Printers & Cassettes

53mm Intermittent Printer and Cassette (Left Hand)

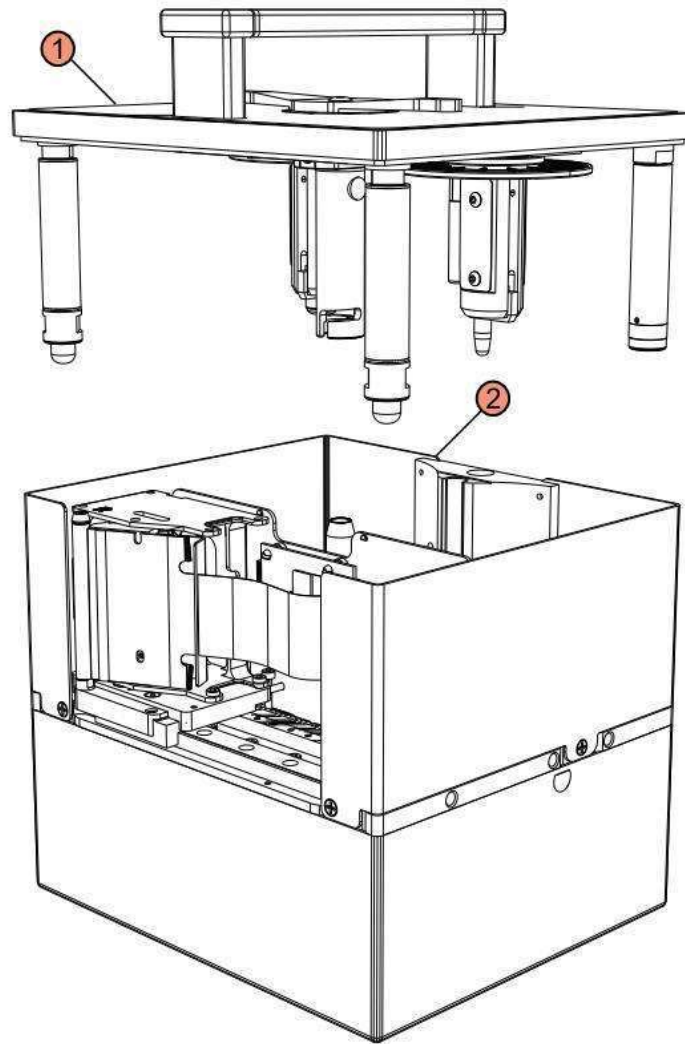


TV02076

Item	Part number	Description
1	ENM10098420	TTO - X-45 - SPARE SDX45 53MM LH CASS ONLY
2	ENM10098404	TTO - X-45 - PRINTER-X45 INT. LH INTEGRATED FLEX 53MM

Printers & Cassettes

53mm Intermittent Printer and Cassette (Right Hand)

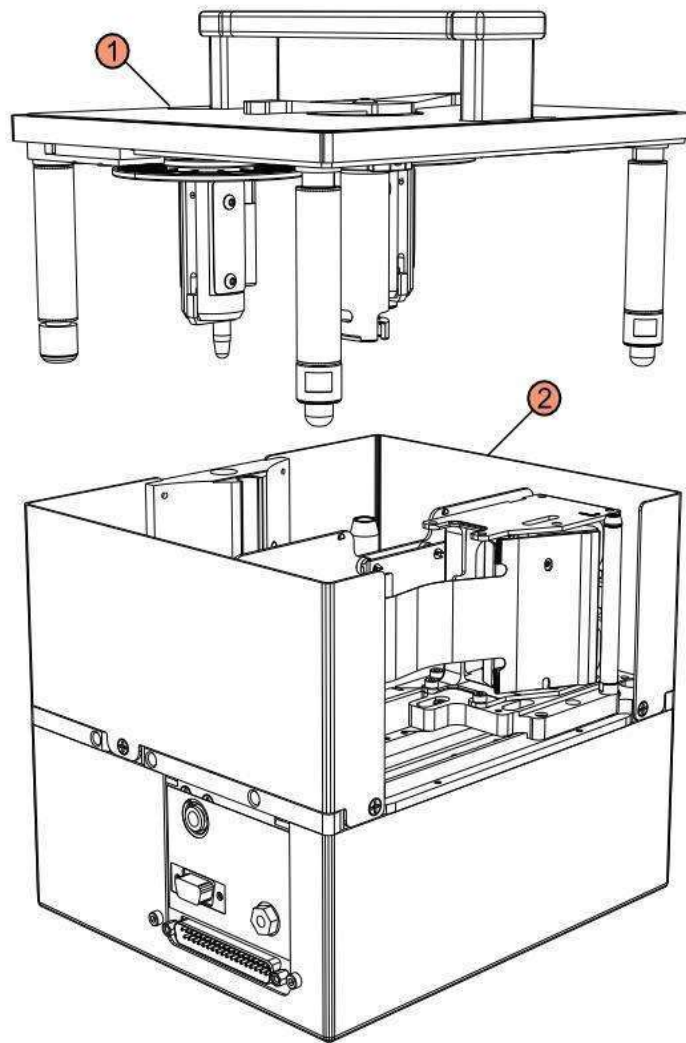


TV02077

Item	Part number	Description
1	ENM10098421	SPARE SDX45 53MM RH CASS ASSY
2	ENM10098405	TTO - PRINTER-X45 INT. RH INTEGRATED FLEX 53MM

Printers & Cassettes

53mm Continuous Printer and Cassette (Left Hand)

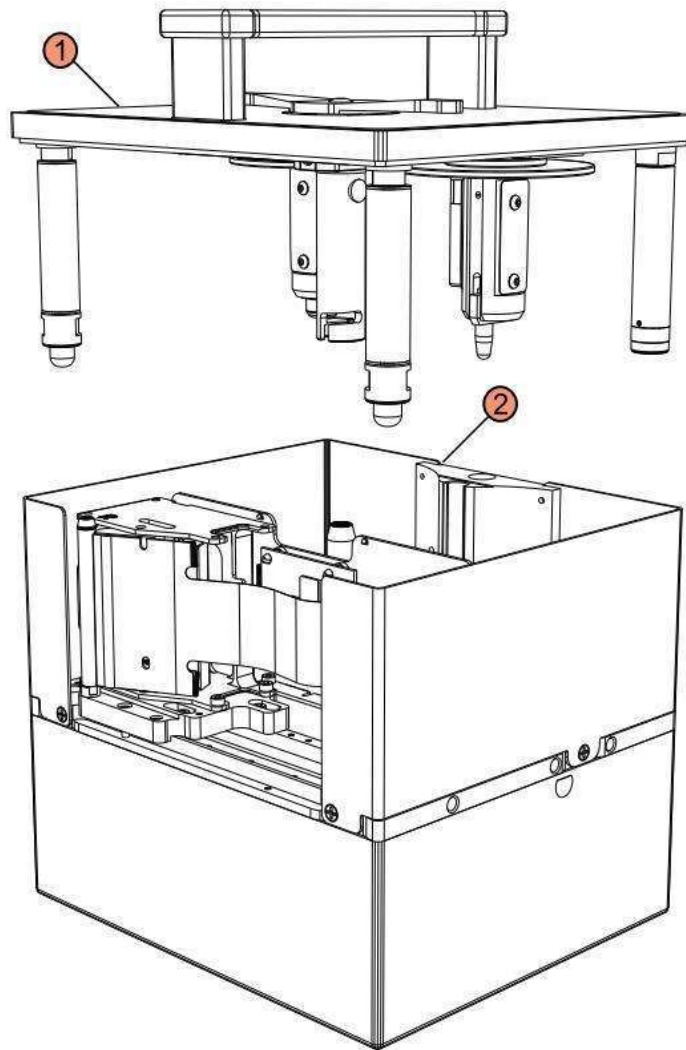


TV02017

Item	Part number	Description
1	ENM10098420	TTO - X-45 - SPARE SDX45 53MM LH CASS ONLY
2	ENM10098400	TTO - PRINTER-X45 CONT LH INTEGRATED FLEX 53MM

Printers & Cassettes

53mm Continuous Printer and Cassette (Right Hand)

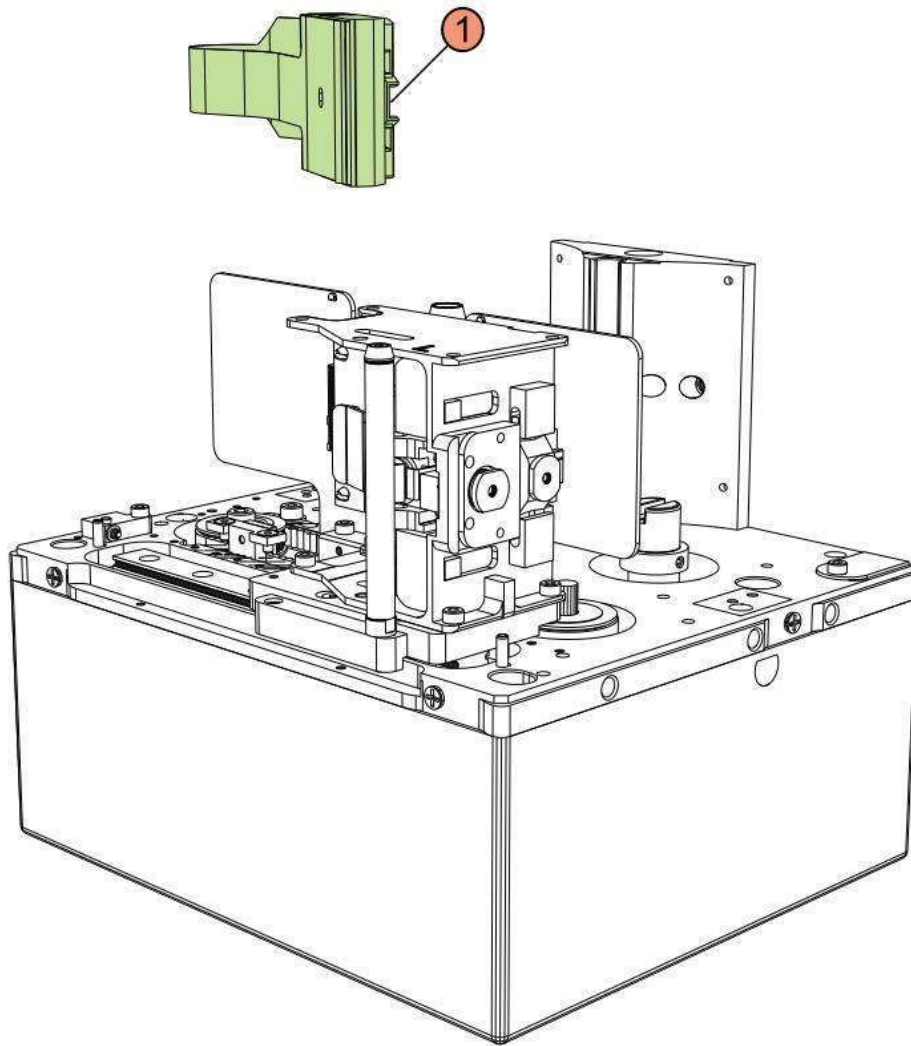


TV02079

Item	Part number	Description
1	ENM10098421	SPARE SDX45 53MM RH CASS ASSY
2	ENM10098401	TTO - PRINTER-X45 CONT. RH INTEGRATED FLEX 53MM

Intermittent Printers

32mm Printhead assembly

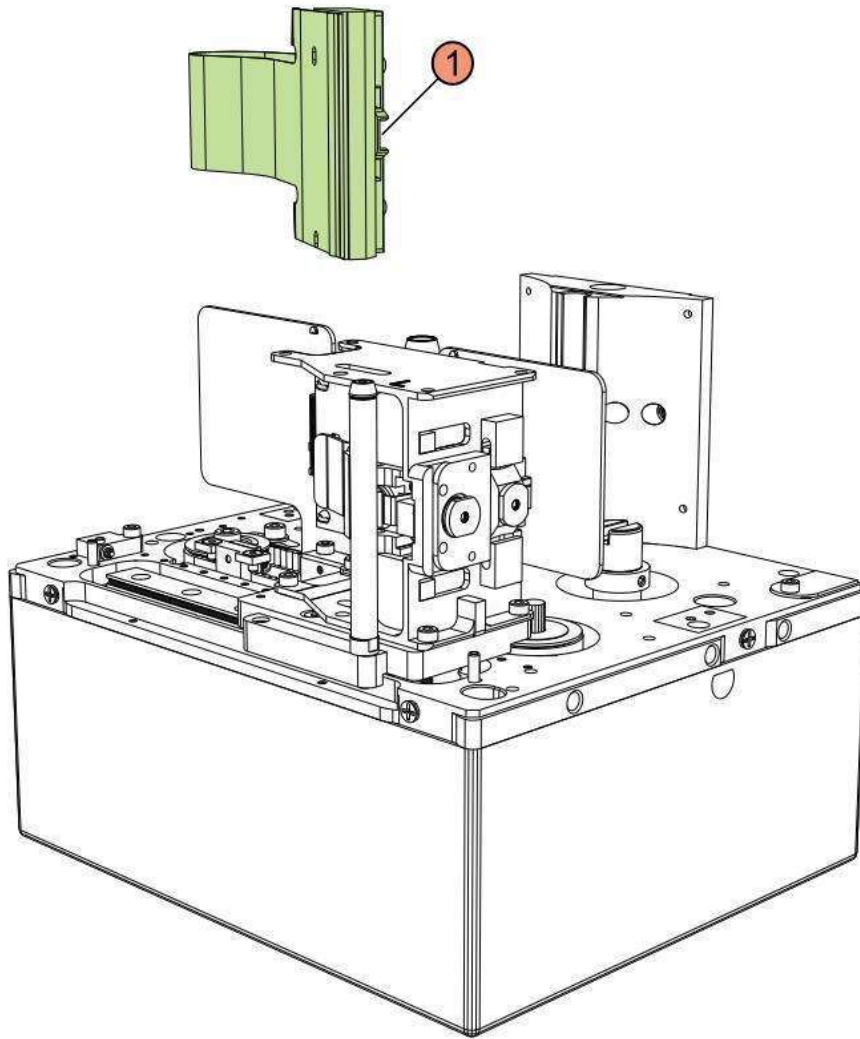


TV02019

Item	Part number	Description
1	ENM10104643	TTO - X-Series Printhead 32mm Integrated Flex

Intermittent Printers

53mm Printhead assembly

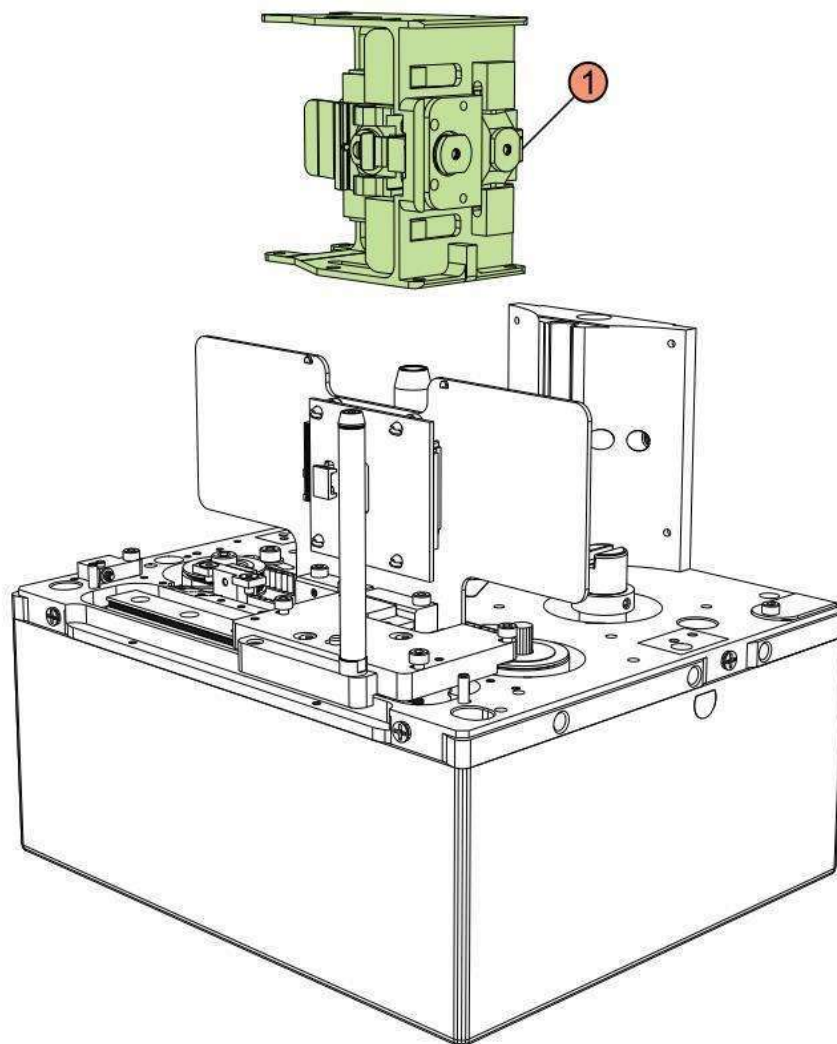


TV02020

Item	Part number	Description
1	ENM10104642	X-Series Printhead 53mm Integrated Flex
1	ENM10104648	X-Series Printhead 53mm Wear Resistant

Intermittent Printers

Print module assembly

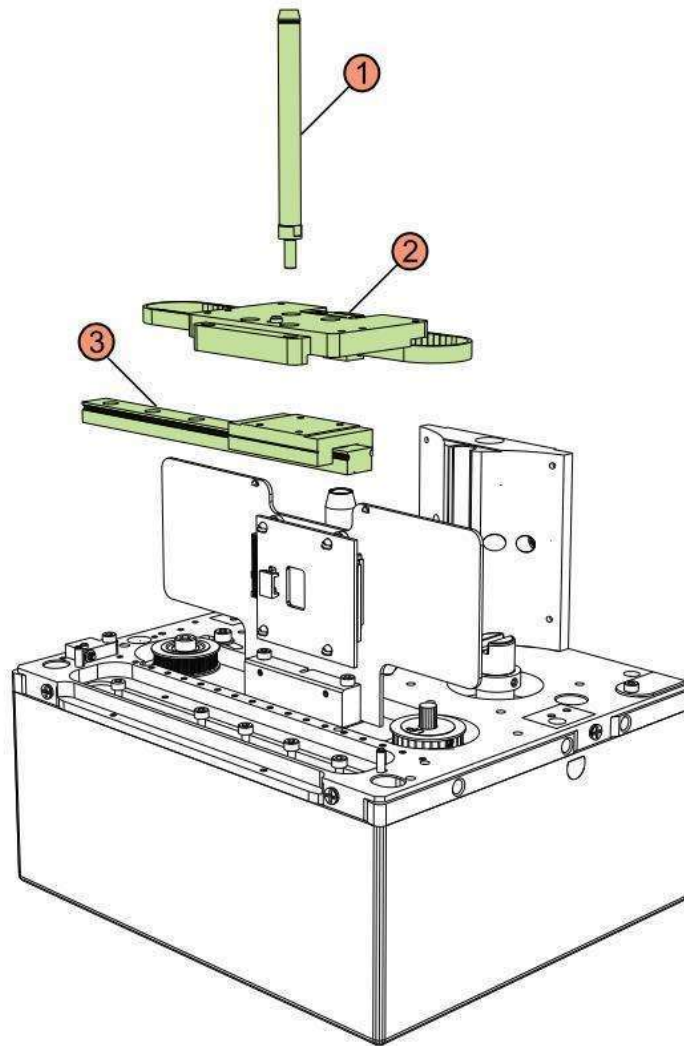


TV02021

Item	Part number	Description
1	10041170	Print module assembly

Intermittent Printers

Guide rail & carriage assembly

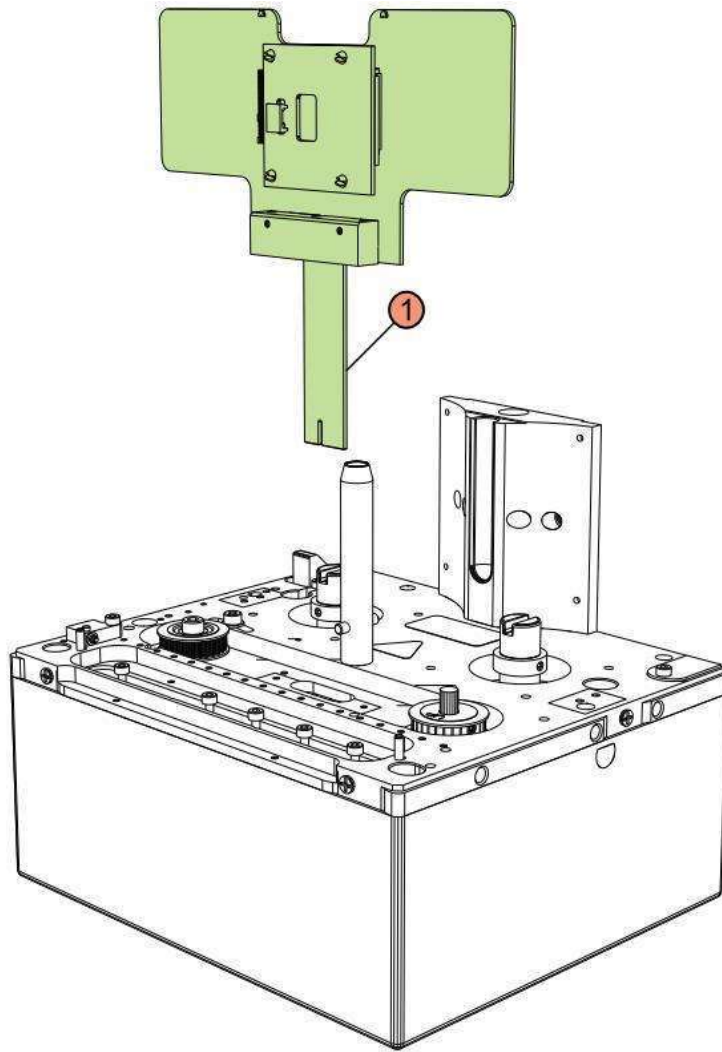


TV02022

Item	Part number	Description
1	5825546	Peel roller assembly
2	ENM10053328	TTO - XS - INTERMITTENT PHM MOUNTING ASSEMBLY
3	5210986	Guide rail & carriage assembly

Intermittent Printers

Interconnect PCB assembly

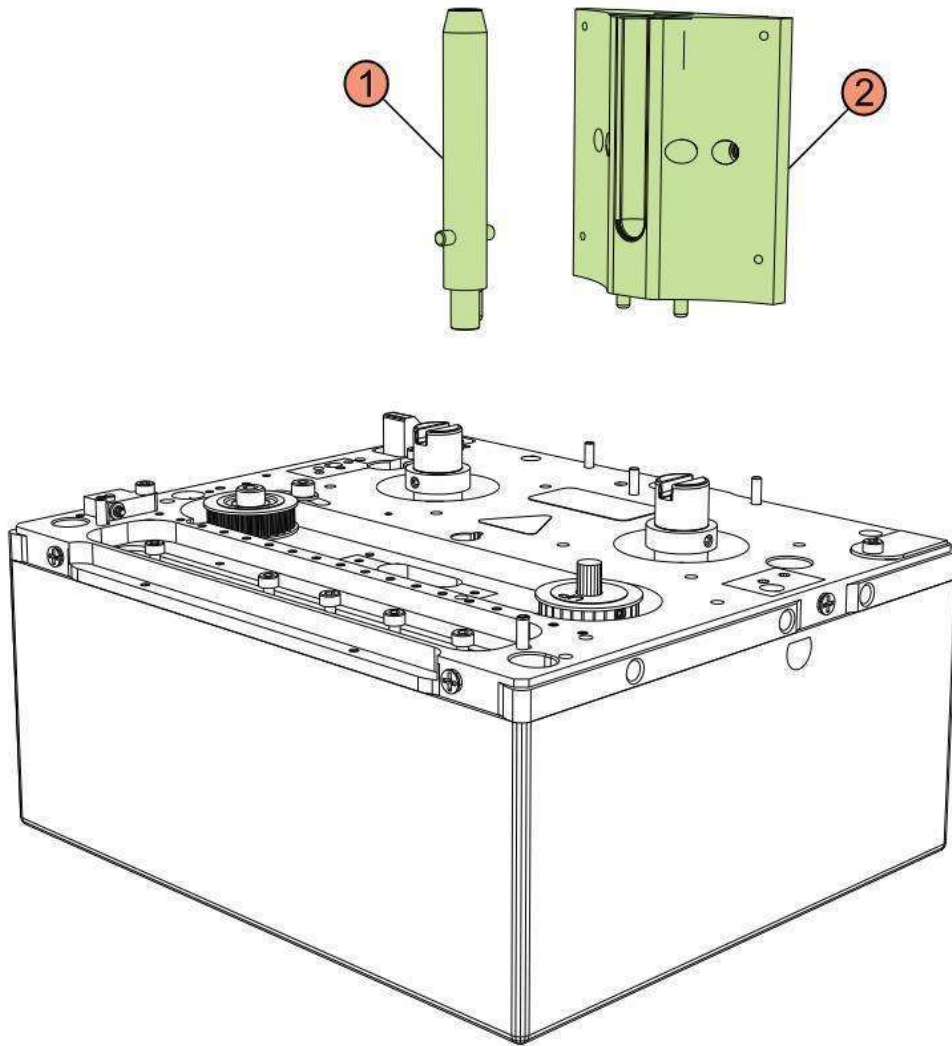


TV02023

Item	Part number	Description
1	ENM10053241	Interconnect PCB assembly

Intermittent Printers

Mounting bracket assembly

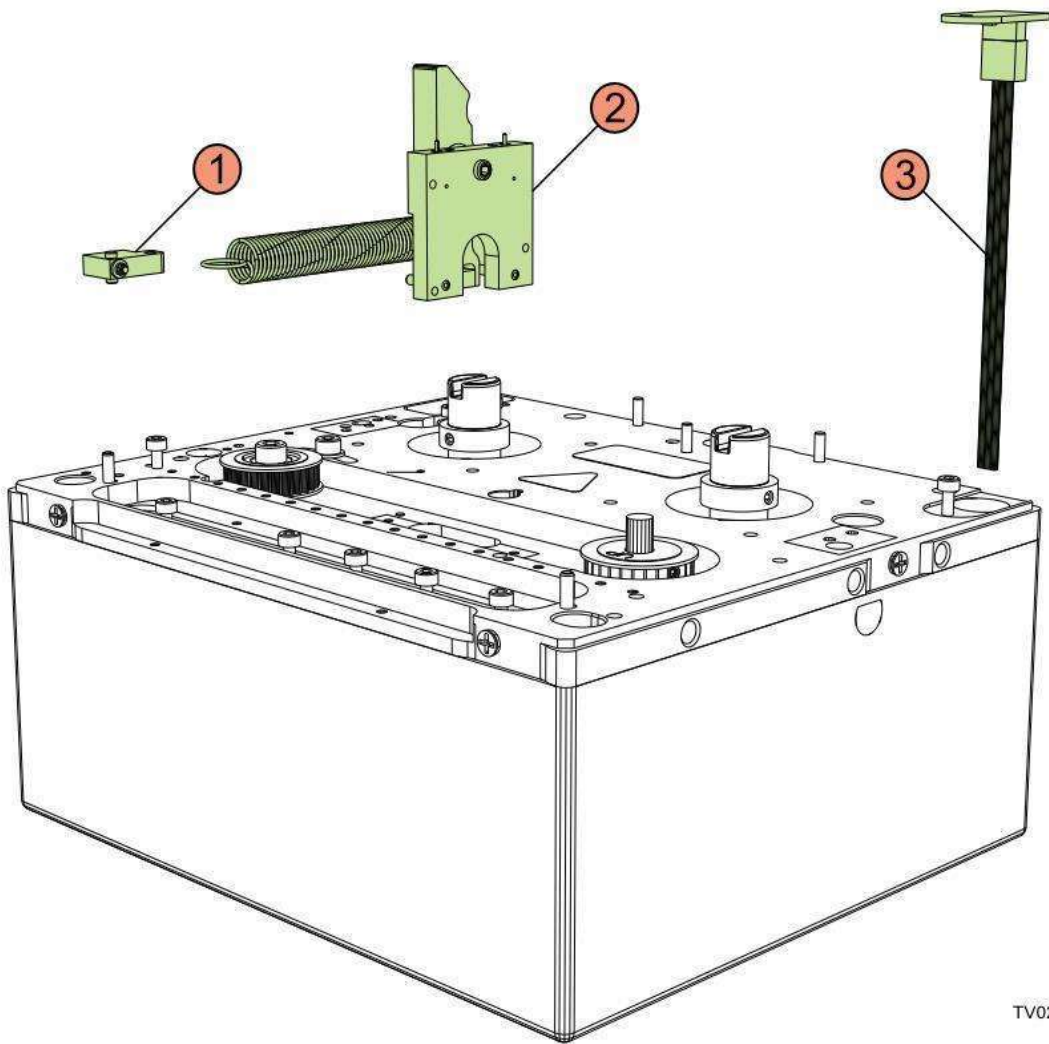


TV02024

Item	Part number	Description
1	ENM10053201	TTO - XS - PRINTER LATCH SHAFT ASSEMBLY
2	ENM10060732	TTO - XS - SPARE MOUNTING BRACKET ASSEMBLY

Intermittent Printers

Movement sensor assembly

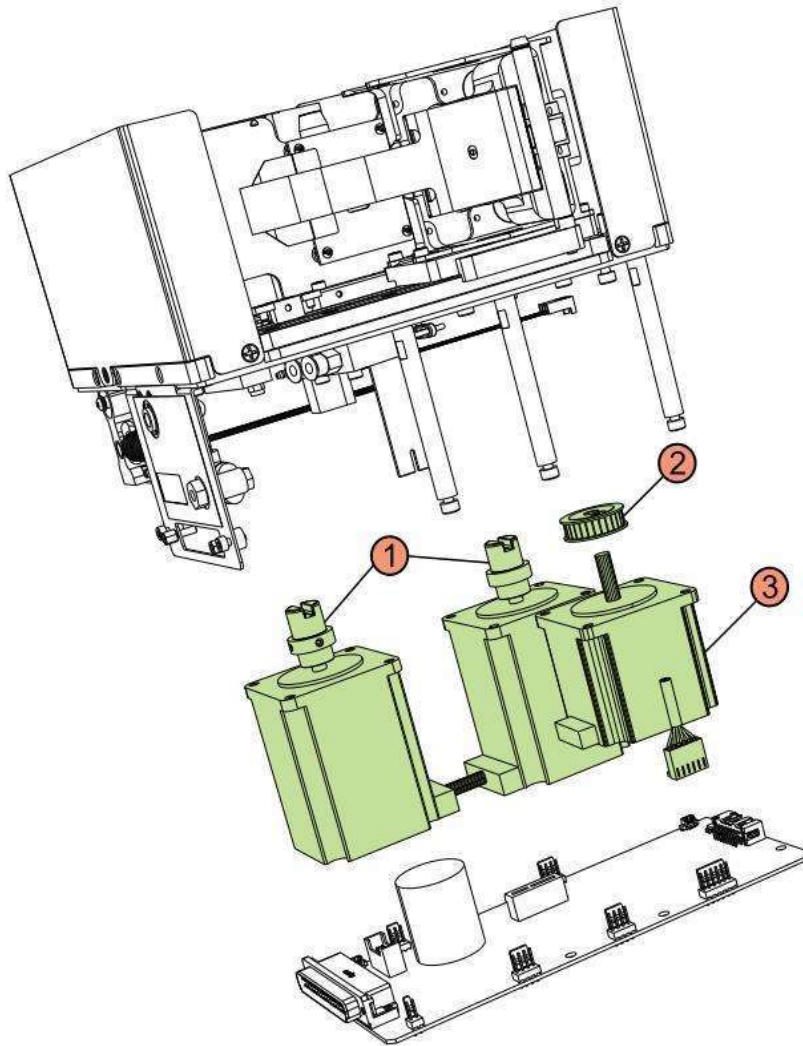


TV02025

Item	Part number	Description
1	ENM10052445	Limit switch & cable assembly
2	ENM10053461	Ribbon controller assembly
3	ENM10054512	Movement sensor assembly

Intermittent Printers

Carriage motor assembly

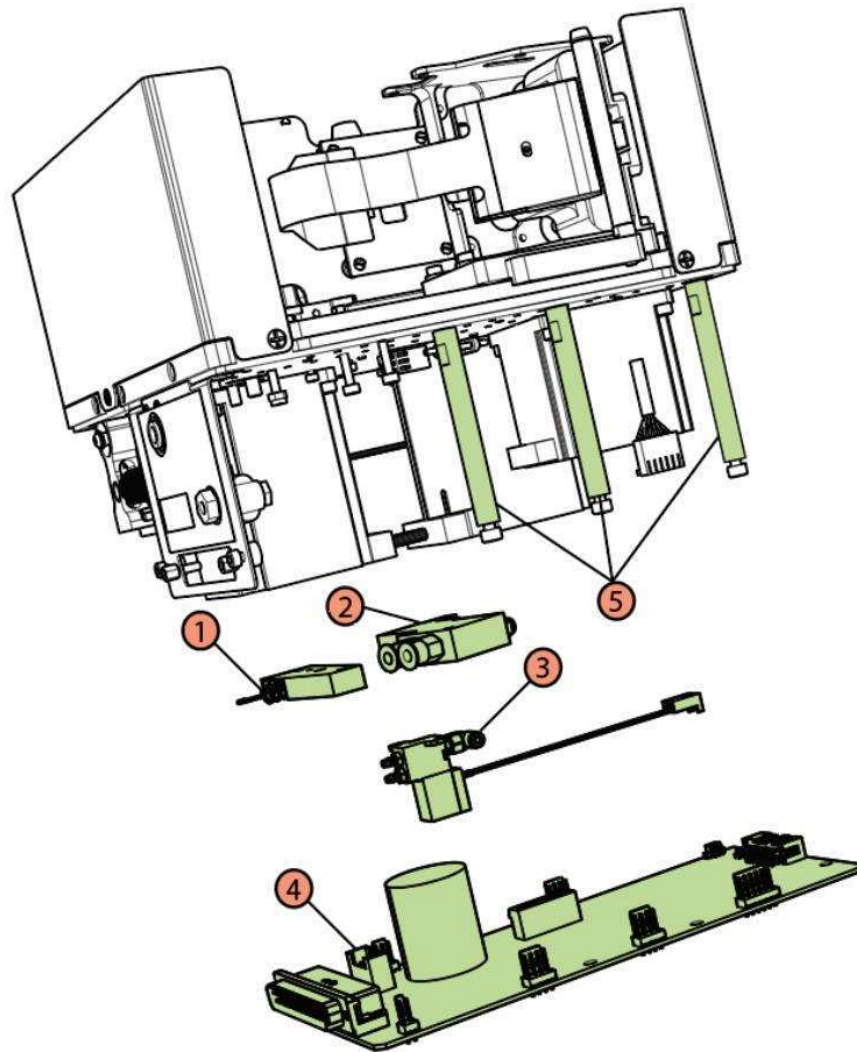


TV02026

Item	Part number	Description
1	ENM10053208	Ribbon motor assembly
2	5825294	Idler pulley assembly
3	ENM10053330	TTO - XS - CARRIAGE MOTOR ASSEMBLY

Intermittent Printers

Printer PCB assembly

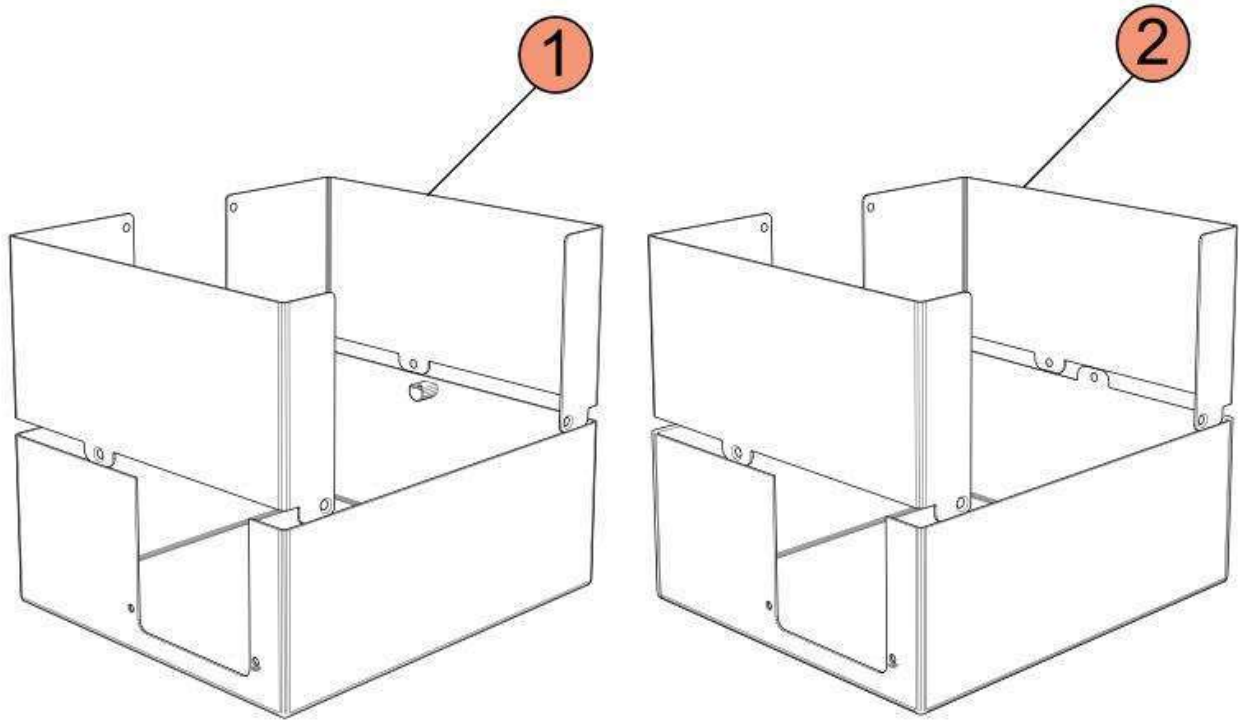


TV02027

Item	Part number	Description
1	10036435	Semi automatic belt tensioner
2	10041551	Pneumatic print solenoid assembly
3	ENM10064469	Pneumatic prime solenoid assembly
4	ENM10051587	Printer PCB assembly
5	ENM10102406	PCB Spacer (Non-Shuttled Printer)

Intermittent Printers

Printer covers kit

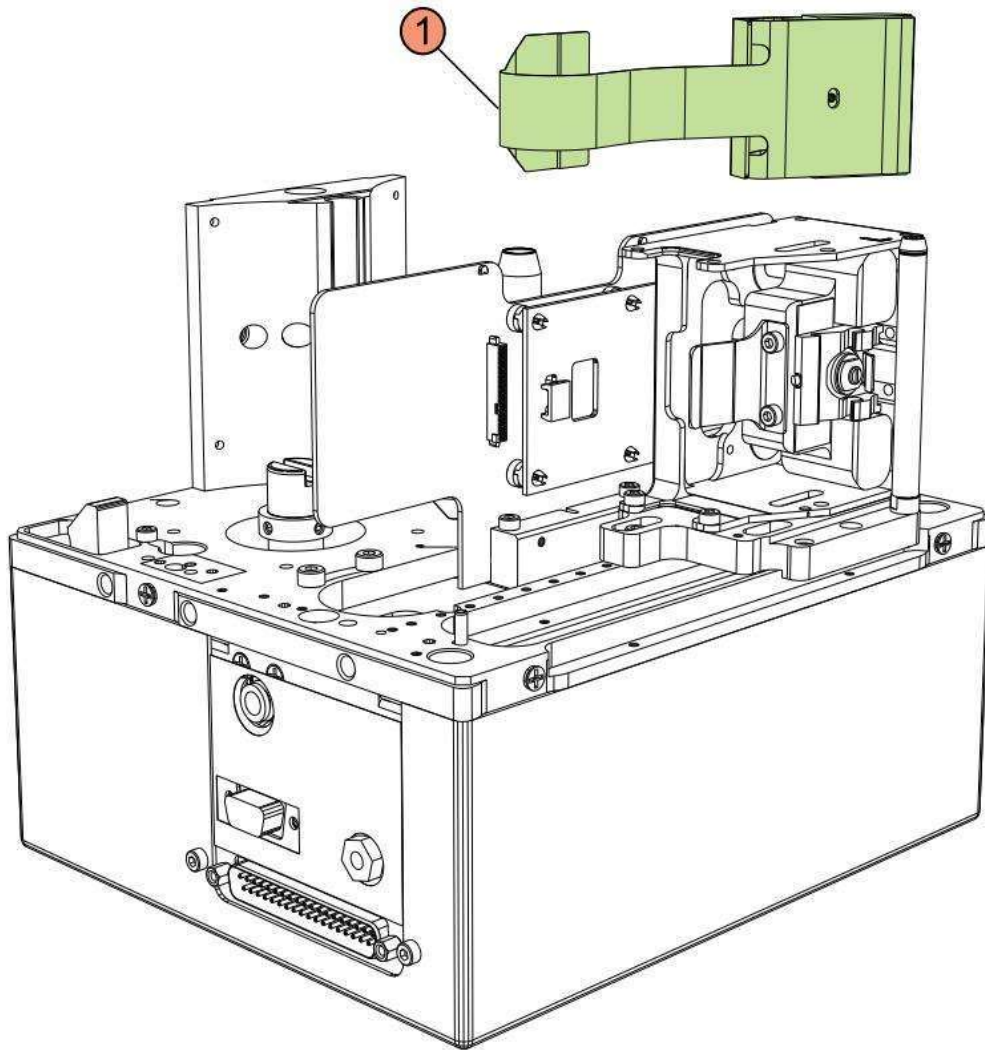


TV02028

Item	Part number	Description
1	ENM10054398	X40 Printer Covers Kit (Old Style - With Fixing Lugs)
2	ENM10103781	X40/X45 Printer Covers Kit

Continuous Printers

32mm Printhead assembly

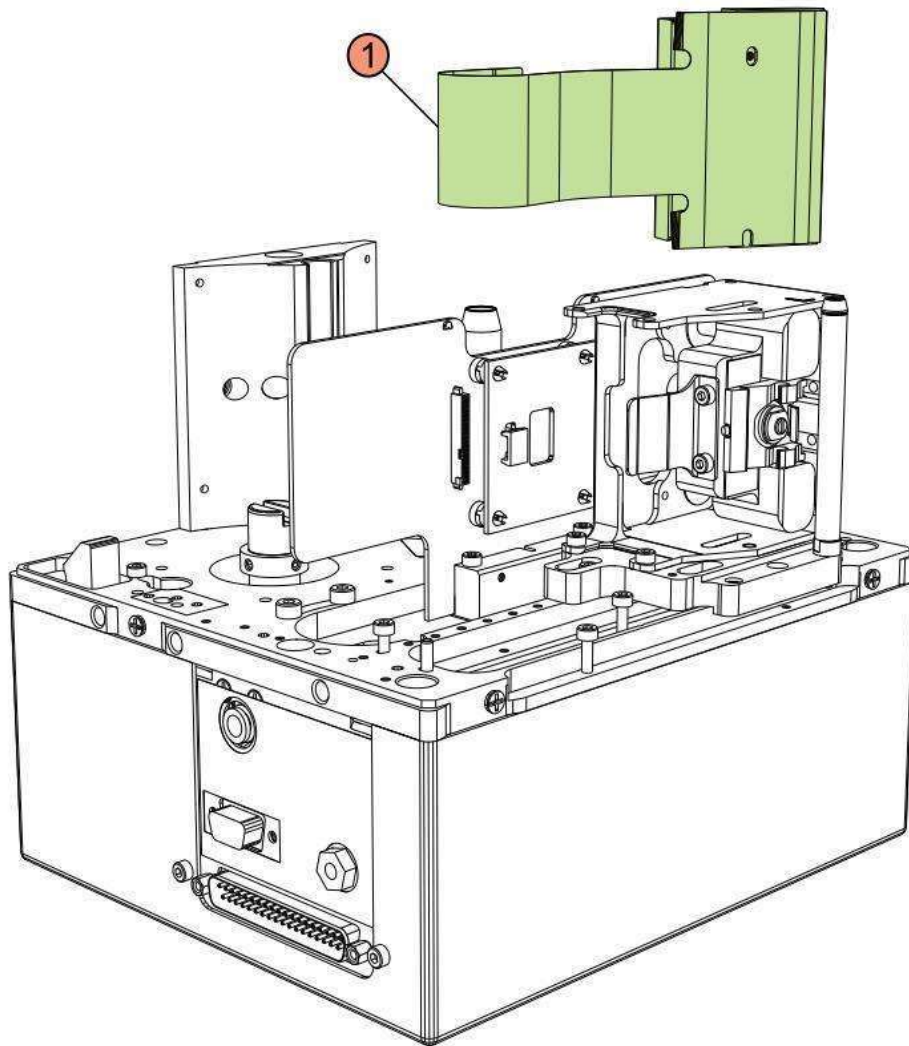


TV02029

Item	Part number	Description
1	ENM10053340	TTO - XS - SRINHEAD - 32MM WIDE (INTEGRATED FLEX)

Continuous Printers

53mm Printhead assembly

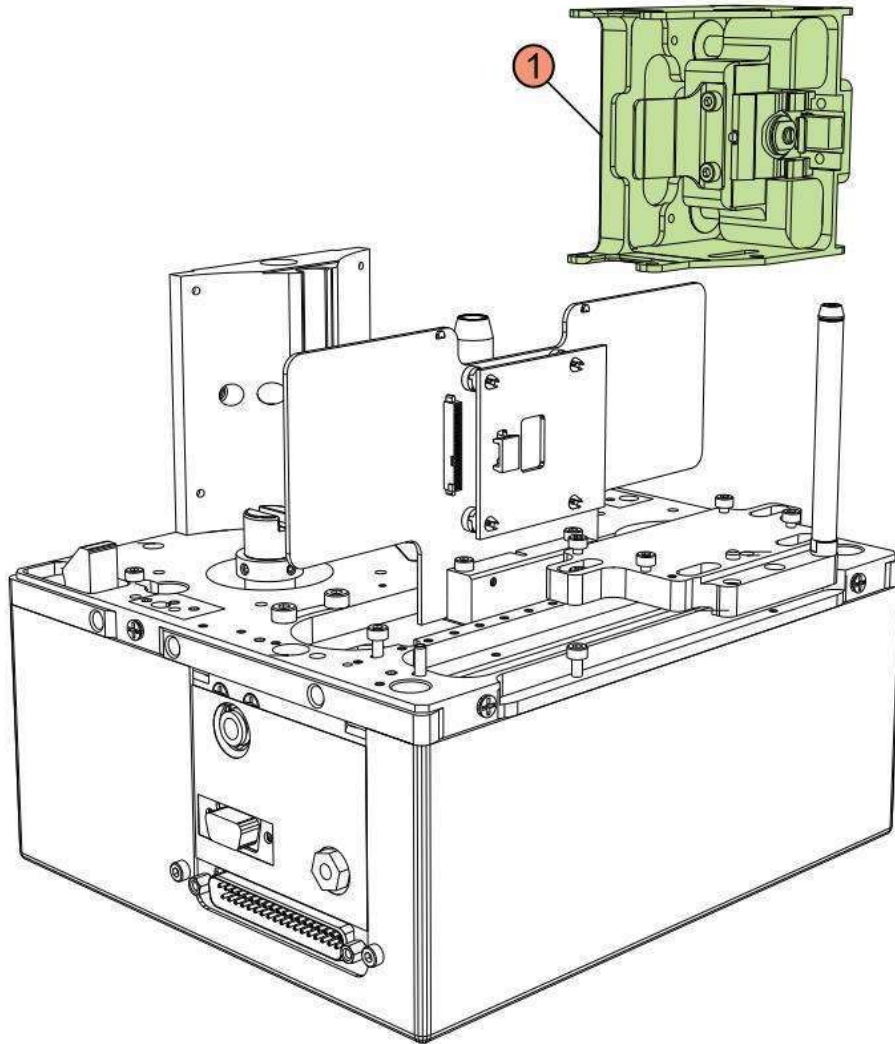


TV02030

Item	Part number	Description
1	ENM10053339	TTO - XS - PRINTHEAD 53MM WIDE_INTEGRATED FLEX

Continuous Printers

Print module assembly

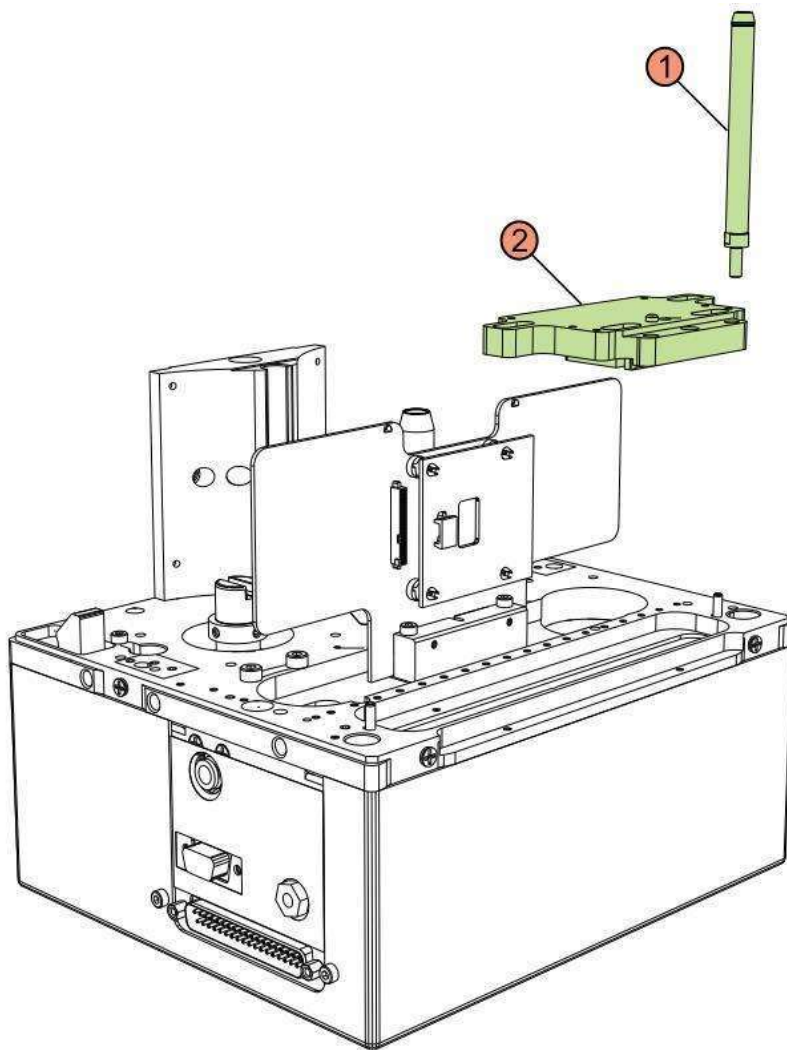


TV02031

Item	Part number	Description
1	10041170	Print module assembly

Continuous Printers

Continuous printhead module mounting assembly

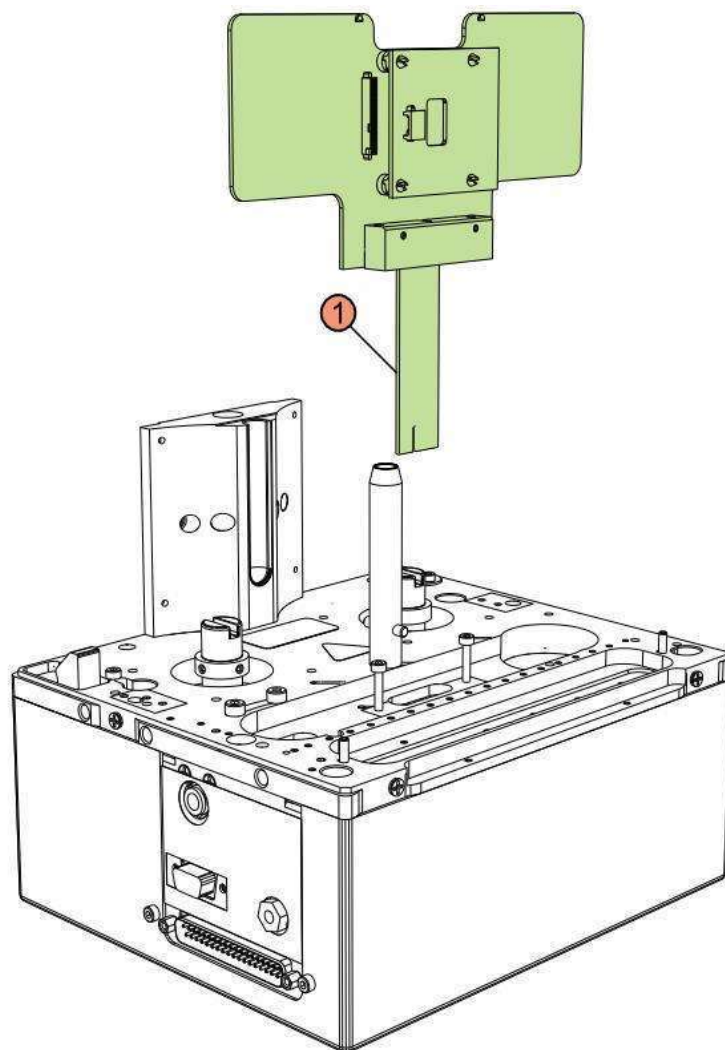


TV02032

Item	Part number	Description
1	5825546	Peel roller assembly
2	ENM10053332	TTO - XS - CONTINUOUS PHM MOUNTING ASSEMBLY

Continuous Printers

Interconnect PCB assembly

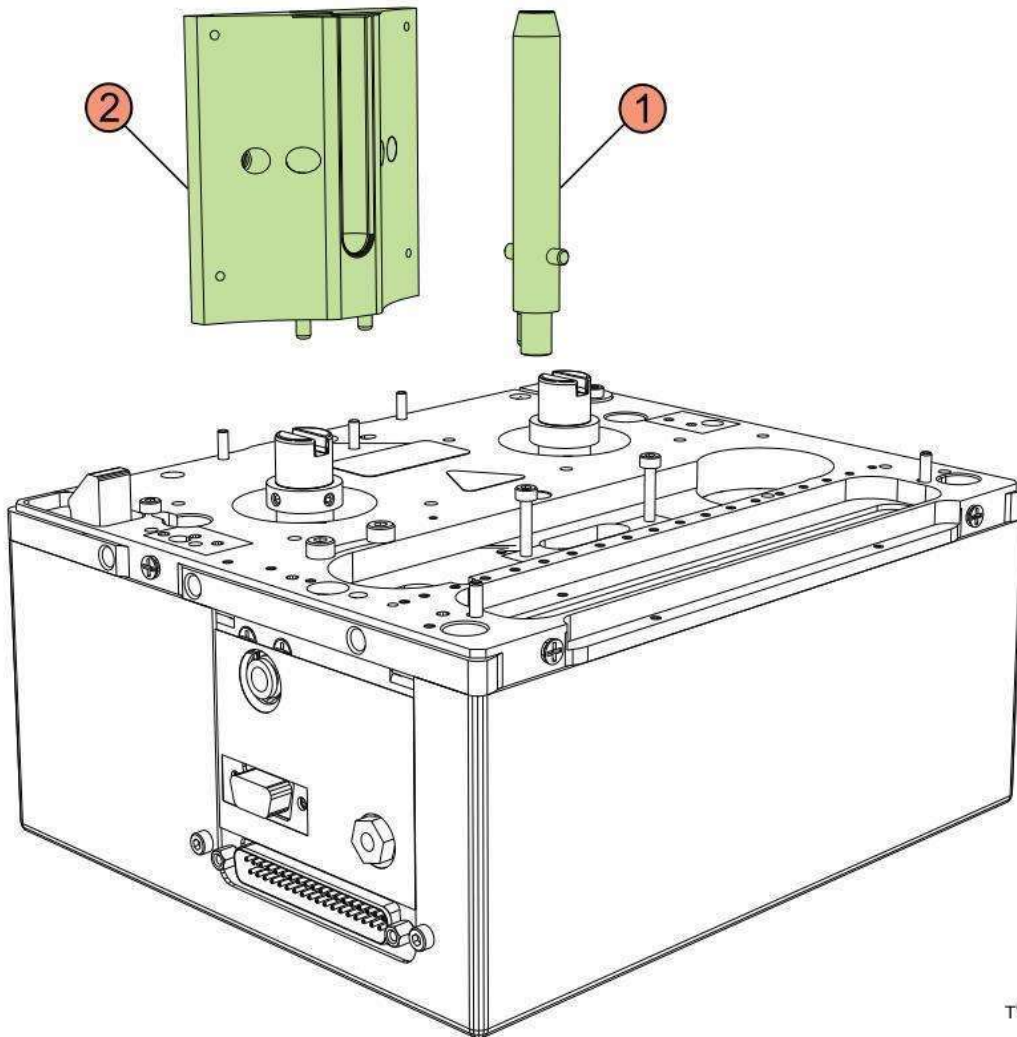


TV02033

Item	Part number	Description
1	ENM10053241	Interconnect PCB assembly

Continuous Printers

Mounting bracket assembly

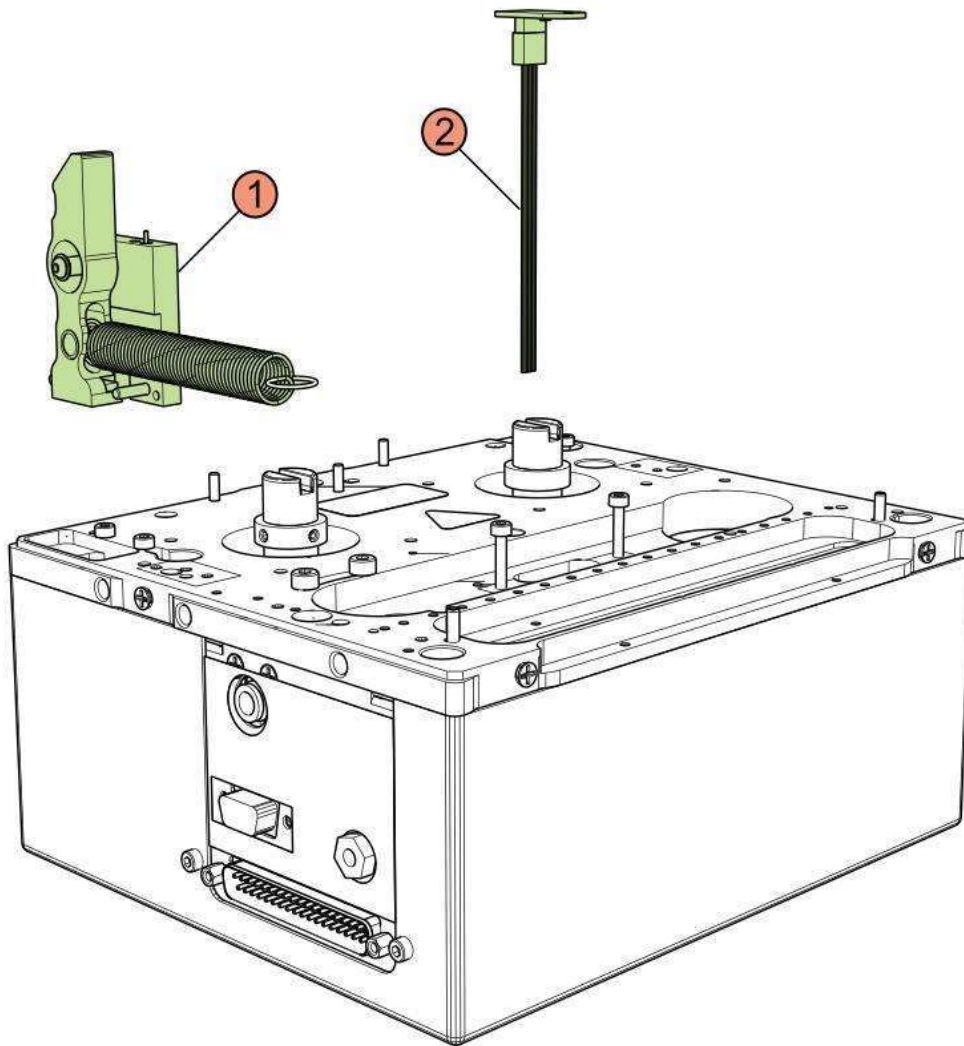


TV02034

Item	Part number	Description
1	ENM10053201	TTO - XS - PRINTER LATCH SHAFT ASSEMBLY
2	ENM10060732	TTO - XS - SPARE MOUNTING BRACKET ASSEMBLY

Continuous Printers

Movement sensor assembly

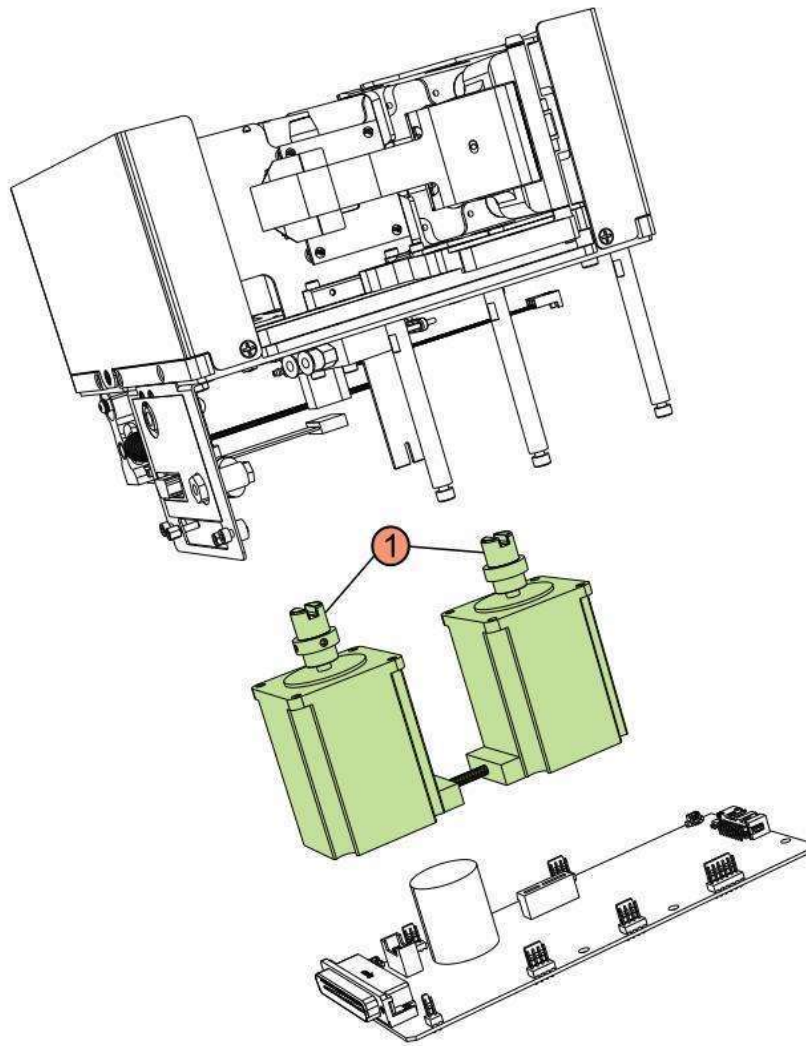


TV02035

Item	Part number	Description
1	ENM10053461	Ribbon controller assembly
2	ENM10054512	Movement sensor assembly

Continuous Printers

Ribbon motor assembly

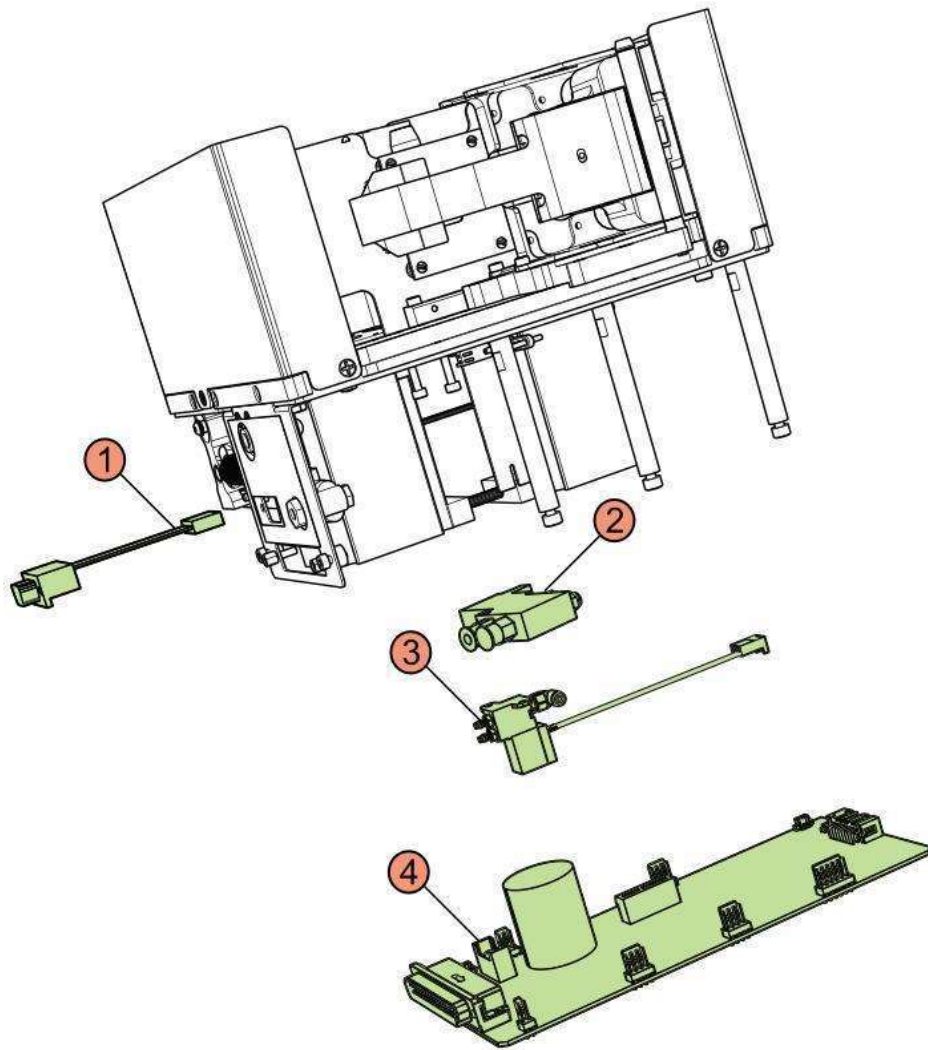


TV02036

Item	Part number	Description
1	ENM10053208	Ribbon motor assembly

Continuous Printers

Printer PCB assembly

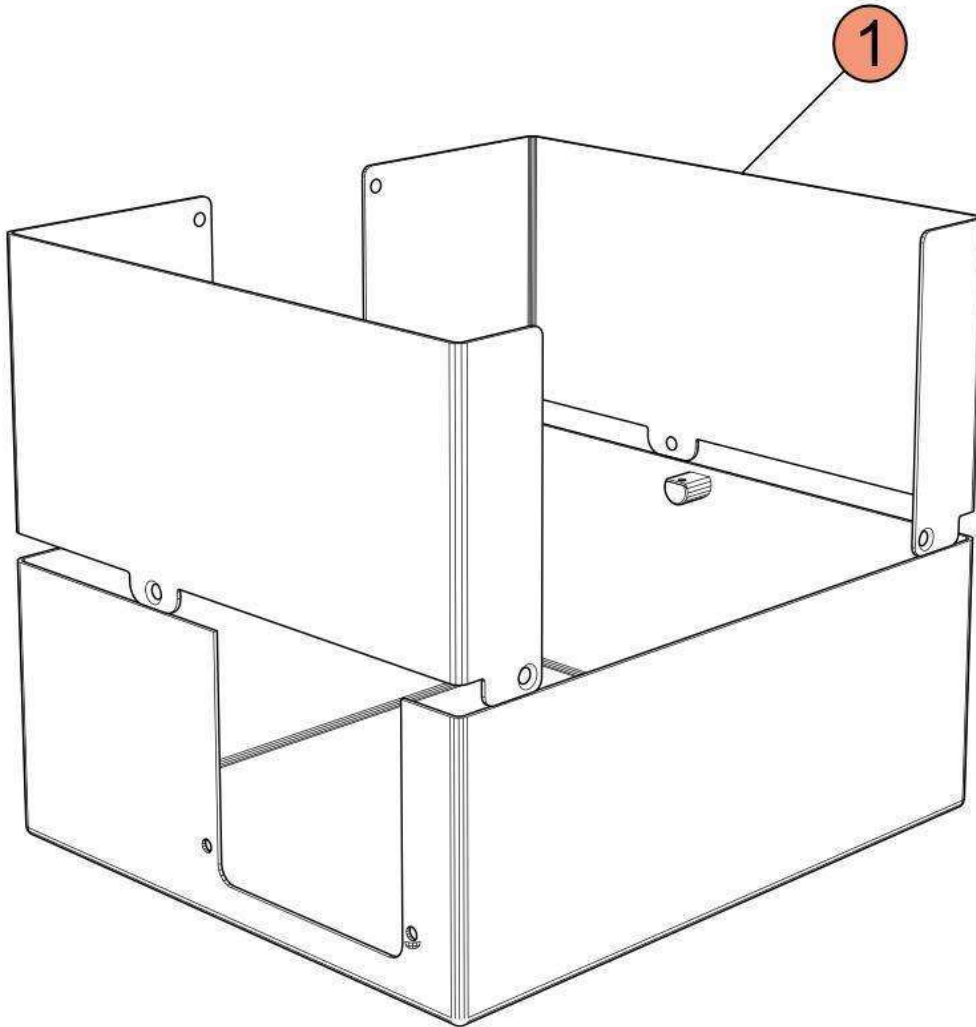


TV02037

Item	Part number	Description
1	ENM10053678	TTO - XS - NTERNAL ENCODER CABLE ASSEMBLY
2	10041551	Pneumatic print solenoid assembly
3	ENM10064469	Pneumatic prime solenoid assembly
4	ENM10051587	Printer PCB assembly

Continuous Printers

Printer covers kit

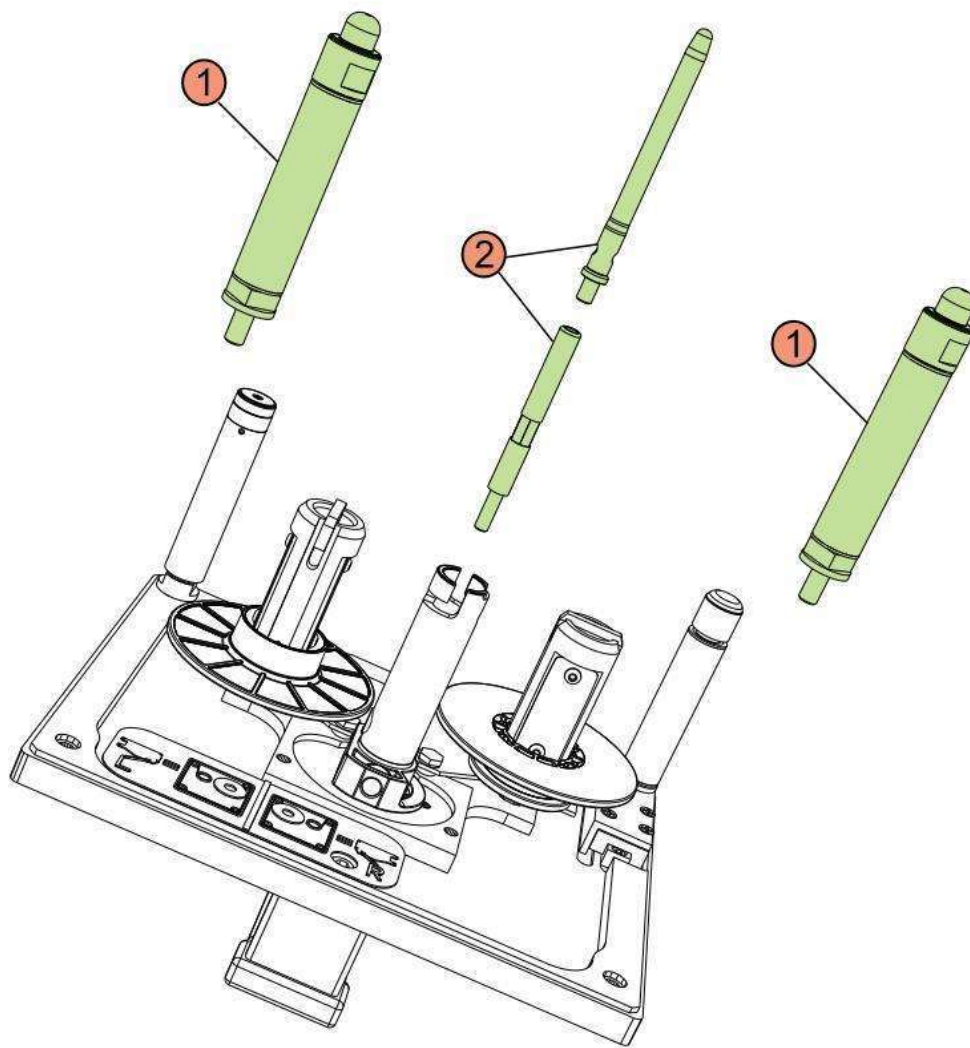


TV02038

Item	Part number	Description
1	ENM10054398	X40 Printer Covers Kit (Old Style - With Fixing Lugs)
1	ENM10103781	X40/X45 Printer Covers Kit

Cassettes

Cassette locating pins

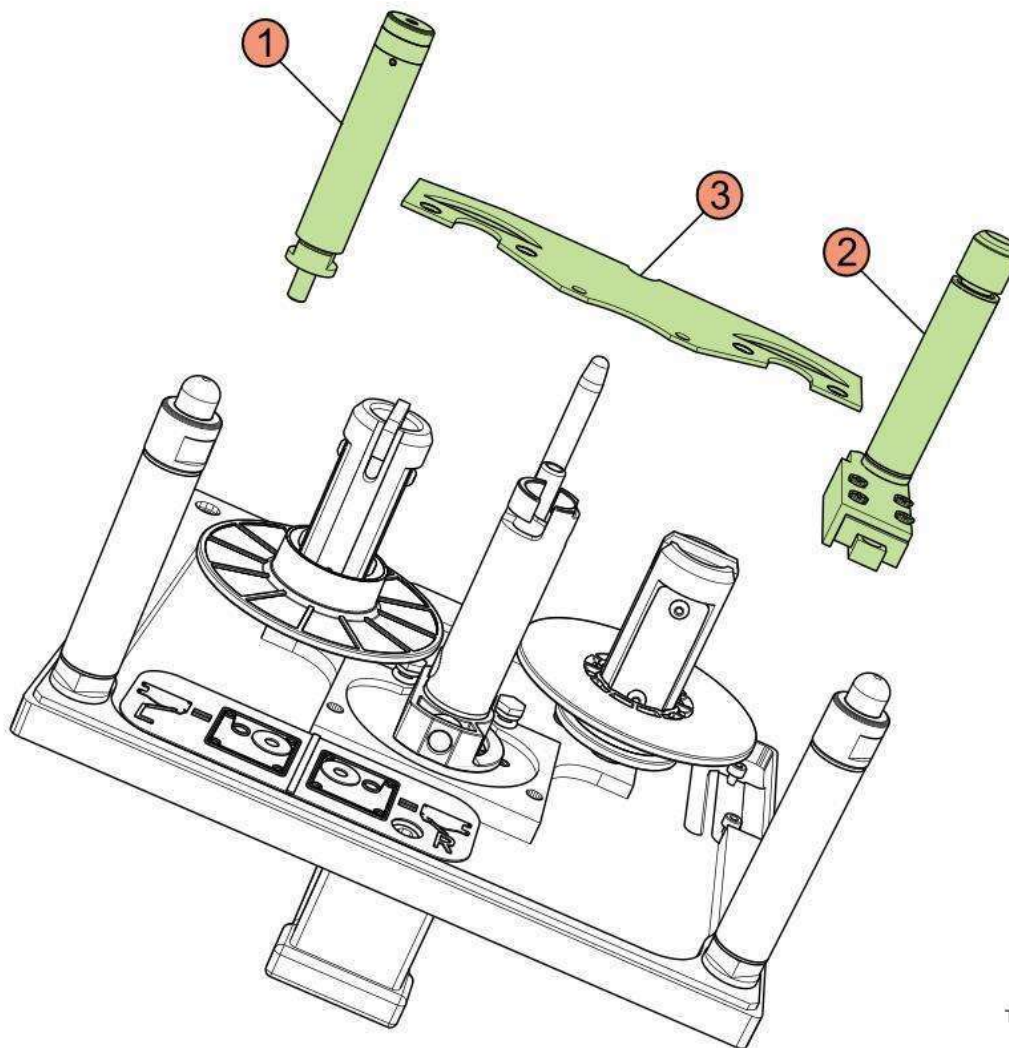


TV02039

Item	Part number	Description
1	10029510	Locating roller assembly
2	ENM10053157	TTO - XS - CASSETTE LOCATING PIN

Cassettes

cassette brake plate assembly

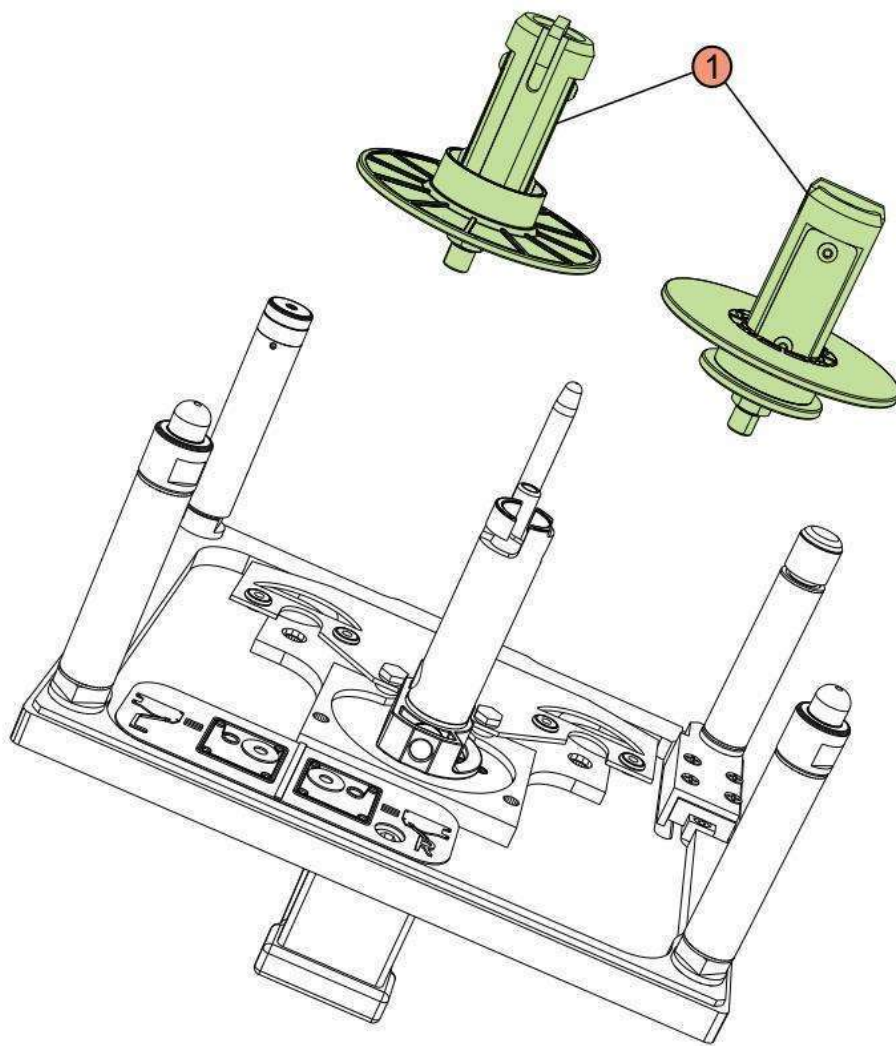


TV02040

Item	Part number	Description
1	ENM10053110	Movement roller assembly
2	ENM10054399	Tension roller & slide kit
3	ENM10023156	cassette brake plate assembly

Cassettes

Ribbon supply & rewind assemblies (32mm)

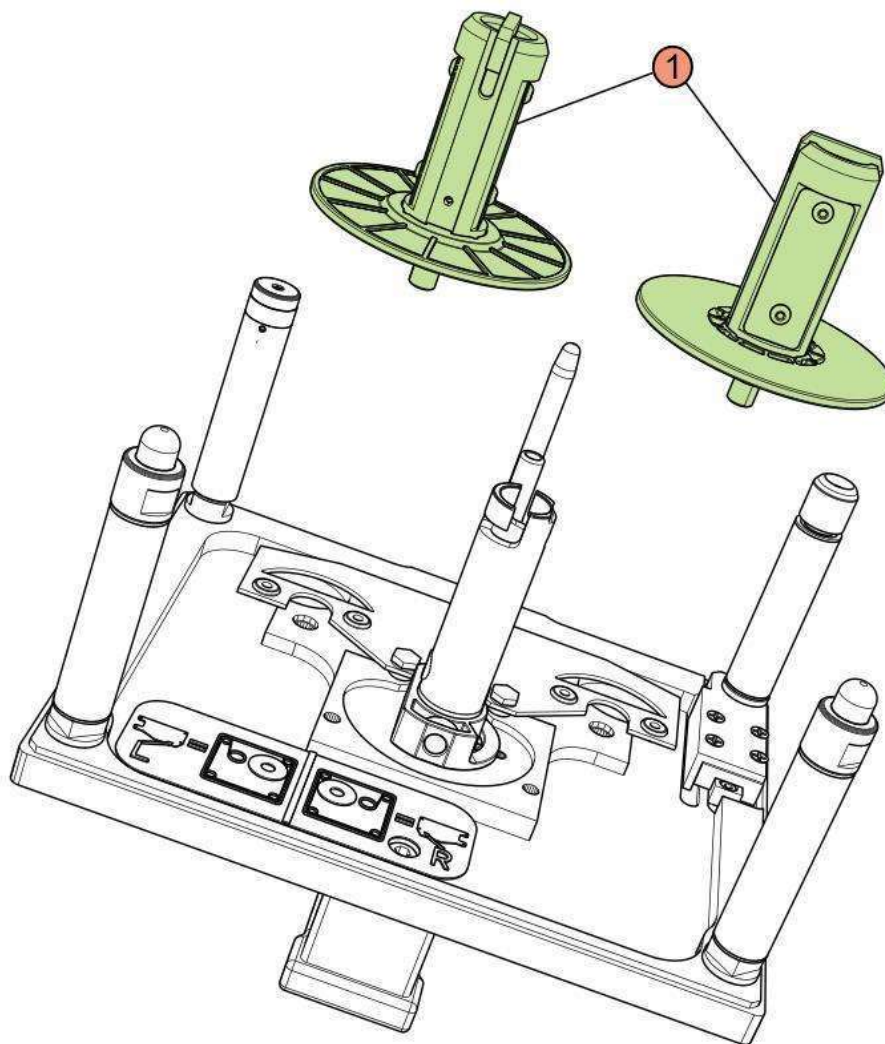


TV02041

Item	Part number	Description
1	ENM10053305	Ribbon supply & rewind assemblies (32mm)

Cassettes

Ribbon supply & rewind assemblies (53mm)

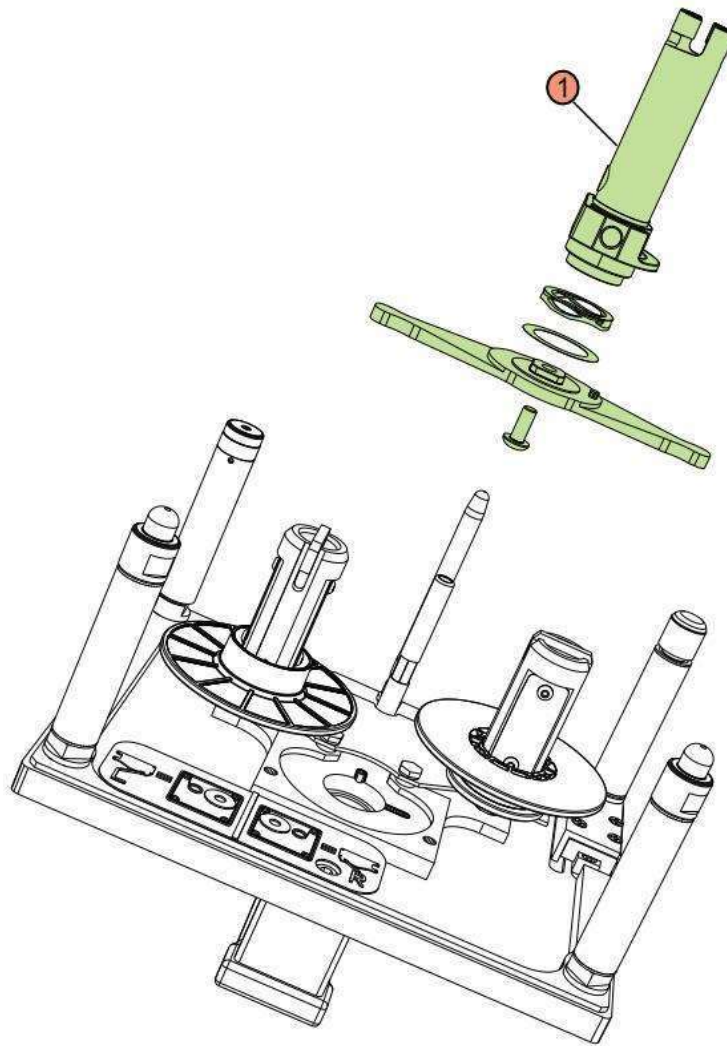


TV02042

Item	Part number	Description
1	ENM10053306	Ribbon supply & rewind assemblies (53mm)

Cassettes

Latch tube assembly kit

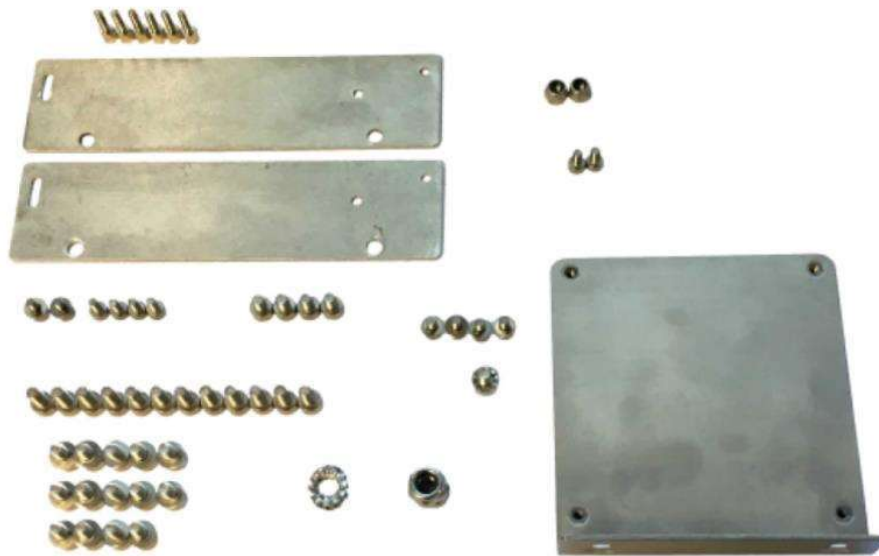


TV02043

Item	Part number	Description
1	ENM10055978	Latch tube assembly kit

Accessories

MUI Fasteners Kit

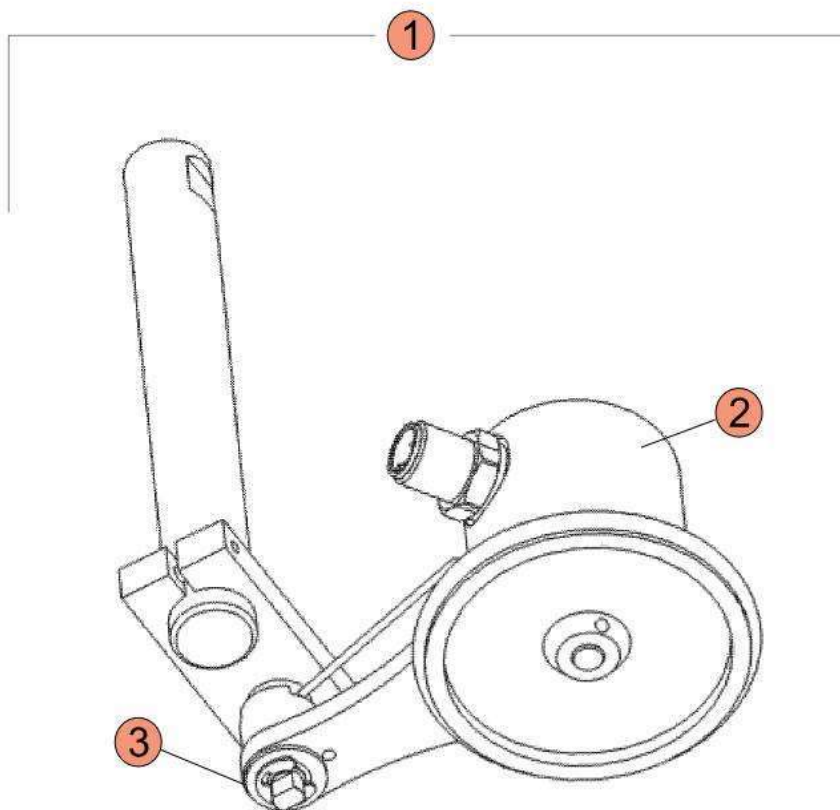


TV02068

Item	Part number	Description
1	ENM10082419	TTO - XS - MUI FASTENERS KIT

Accessories

Encoder

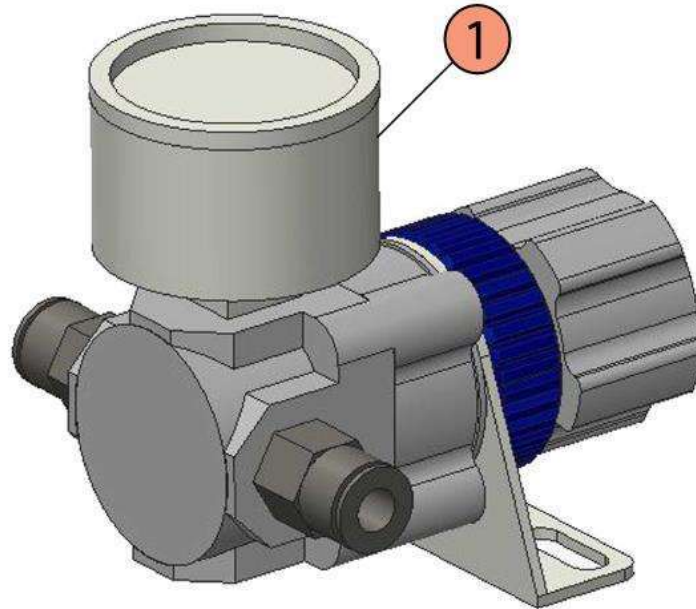


TV02044

Item	Part number	Description
1	A41431	Encoder Assembly
2	A41370	Encoder configurable Ø 58 - shaft 6mm - With connector M12 (without cable)
3	A41410	Encoder rolling kit arm tension control
4	A41382	Encoder cable

Accessories

Air regulator

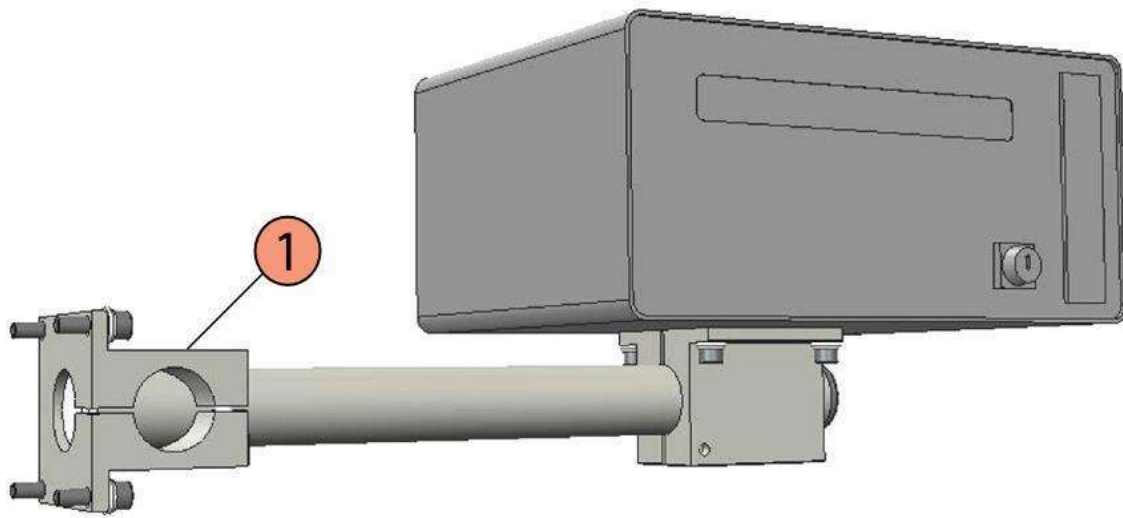


TV02045

Item	Part number	Description
1	5825000	Air regulator

Accessories

Control box mounting kit

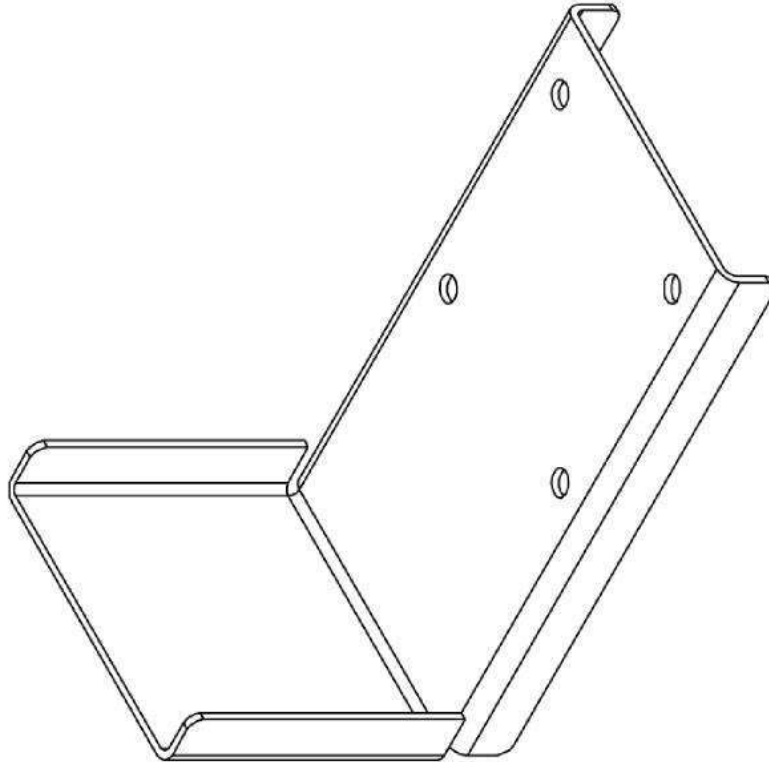


TV02046

Item	Part number	Description
1	5824332	Universal control box mounting

Accessories

OEM controller bracket

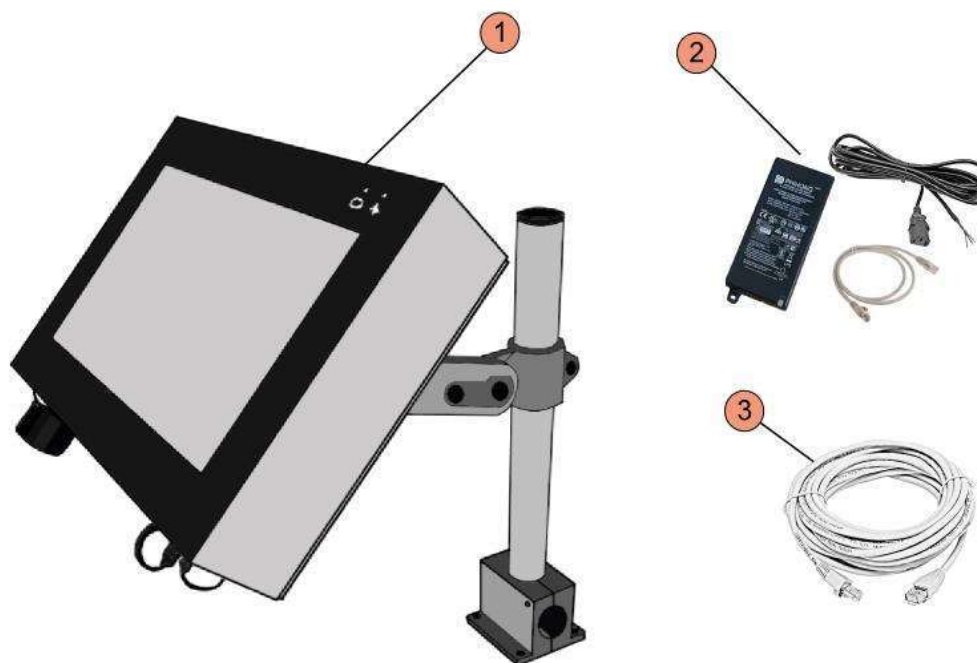


TV02048

Item	Part number	Description
1	ENM10057897	OEM controller bracket

Accessories

Remote User Interface



TV02647

Item	Part number	Description
1	10108889	X-Series Printer RUI Kit (RUI + Fixing Bracket)
2	10108890	X-Series Printer PoE Injector Kit
3	ENM10108887	Cable Ethernet RJ45 Shielded 5m IP67

Accessories

TTO Beacon Assembly

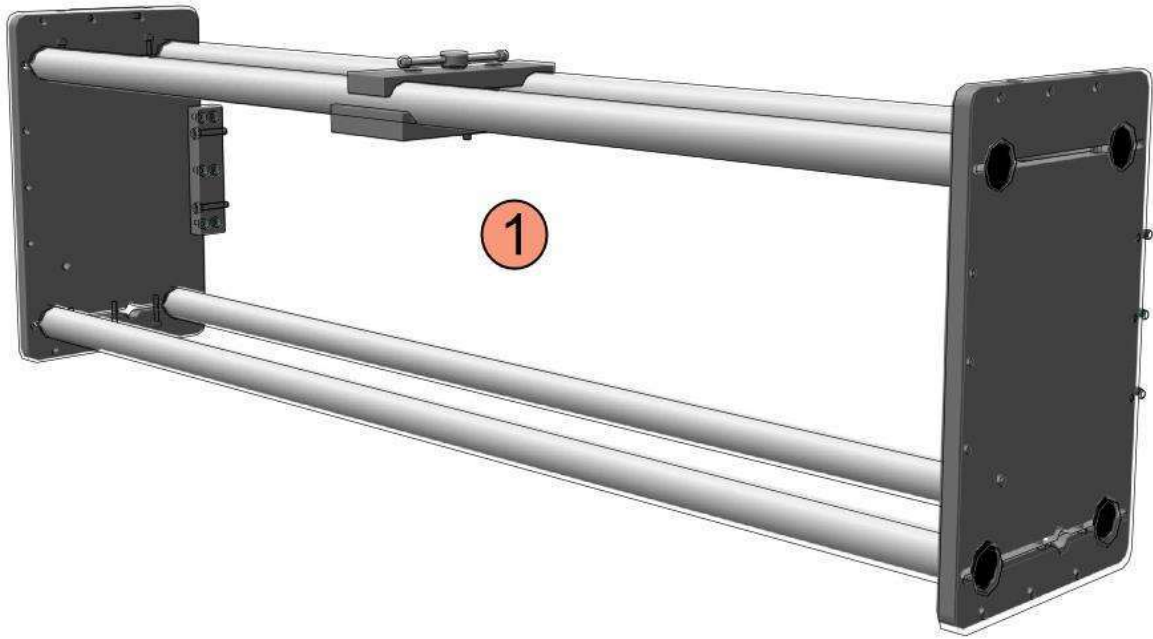


TV02654

Item	Part number	Description
1	ENM10112162	TTO Tri-Colour Beacon (Green/Amber/Blue)
1	5825225	TTO Tri-Colour Beacon (Green/Amber/Red)
2	10112206	Blue Beacon Lense (With Bulb)

Brackets for SmartDate X40/X60 Series

Solid End Plate Bracke



TV02601

Item	Part number	Description
1	5824329	Solid End Plate Bracket

Brackets for SmartDate X40/X60 Series

Basic Window Bracket

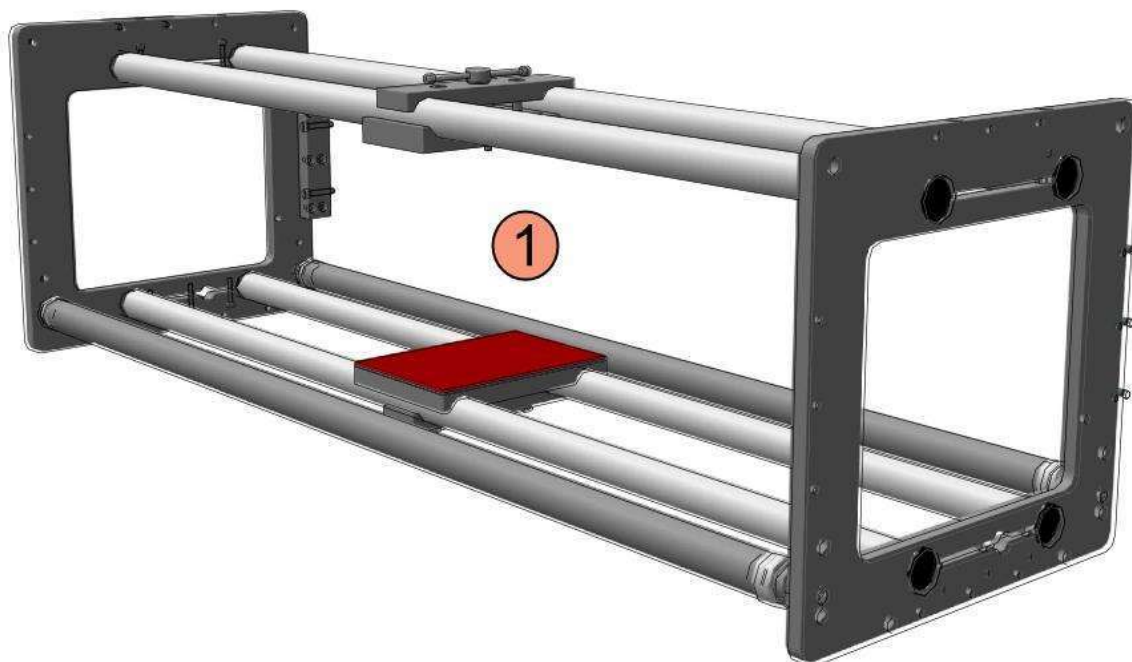


TV02602

Item	Part number	Description
1	5824330	Window Basic Bracket

Brackets for SmartDate X40/X60 Series

Window Intermittent Bracket



TV02603

Item	Part number	Description
1	10055926	Window Intermittent Bracket

Brackets for SmartDate X40/X60 Series

Window Continuous Bracket

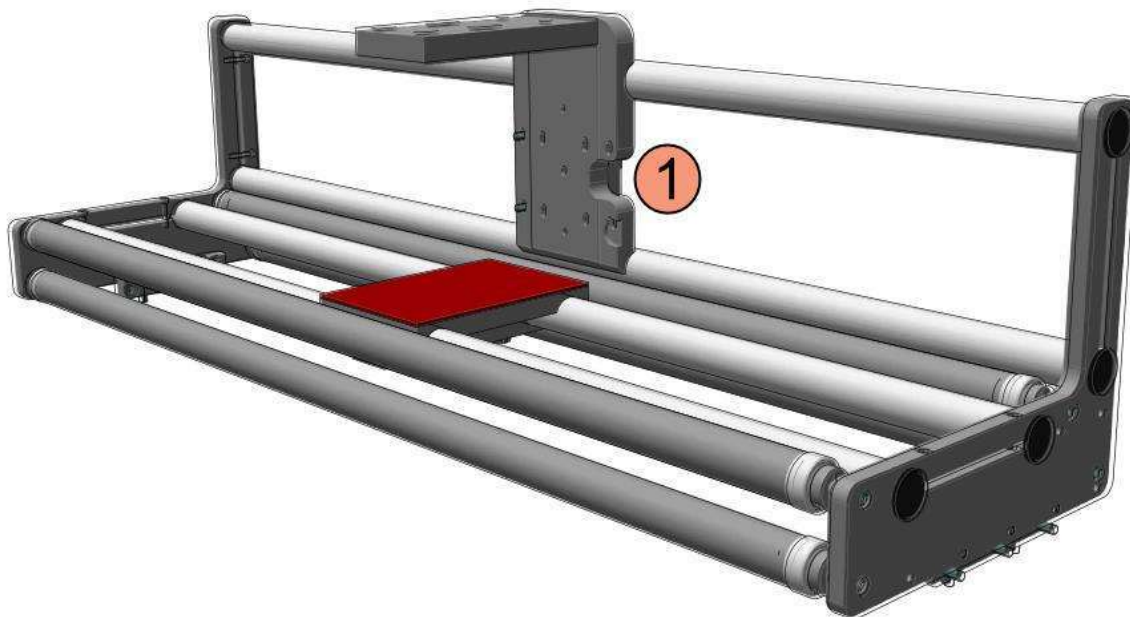


TV02604

Item	Part number	Description
1	10055925	Window Continuous Bracket

Brackets for SmartDate X40/X60 Series

L Shape Intermittent Bracket

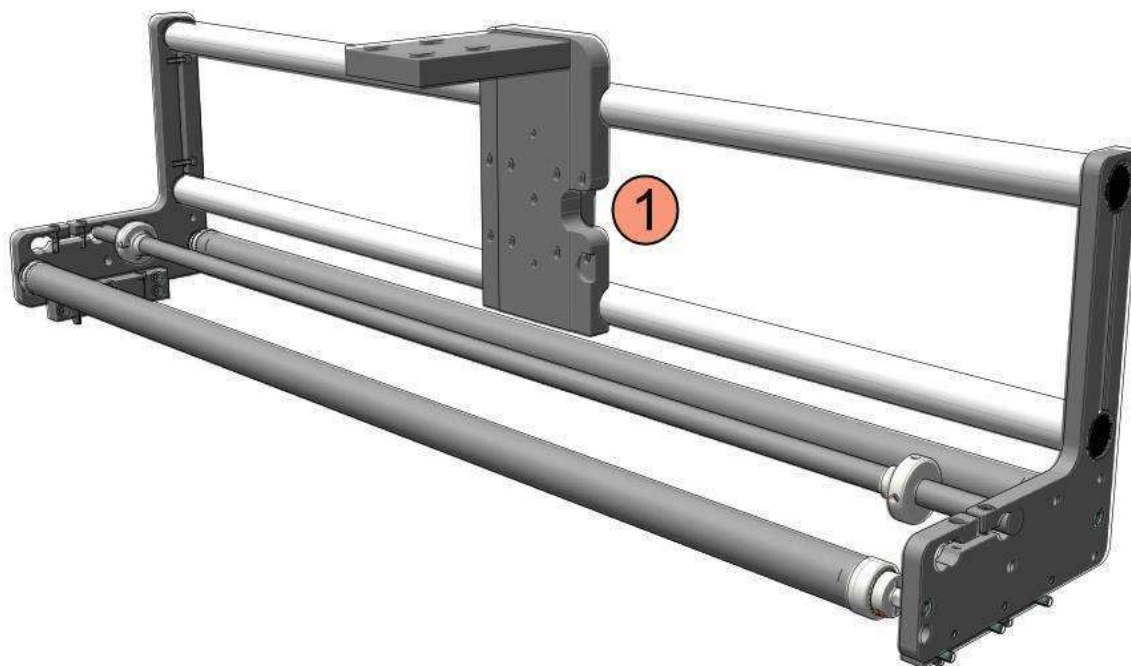


TV02605

Item	Part number	Description
1	5824838	L Shape Intermittent Bracket

Brackets for SmartDate X40/X60 Series

L Shape Continuous Bracket

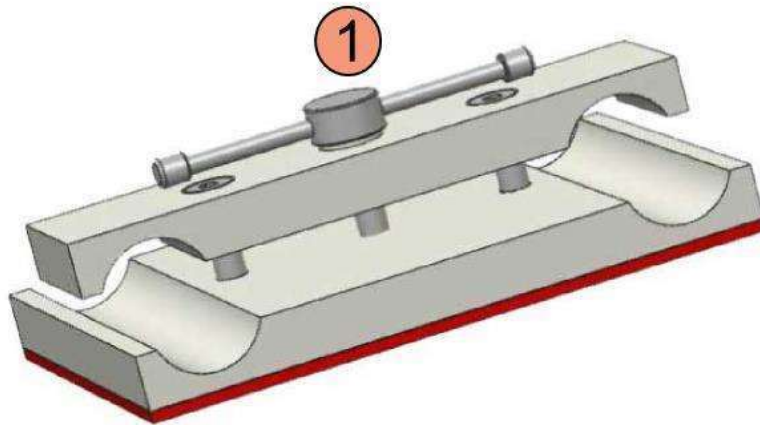


TV02606

Item	Part number	Description
1	5824513	L Shape Continuous Bracket

Brackets for SmartDate X40/X60 Series

Print Base Assembly

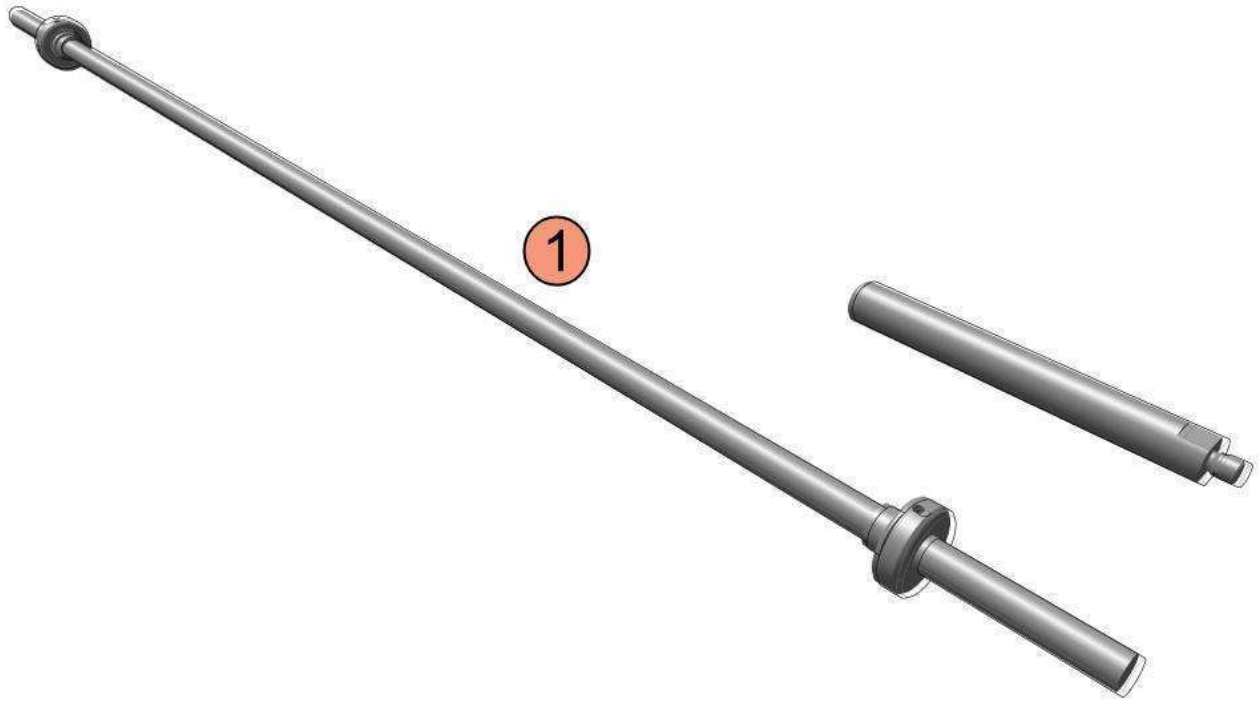


TV02607

Item	Part number	Description
1	5824261	Print Base Assembly

Brackets for SmartDate X40/X60 Series

Continuous Converter Kit

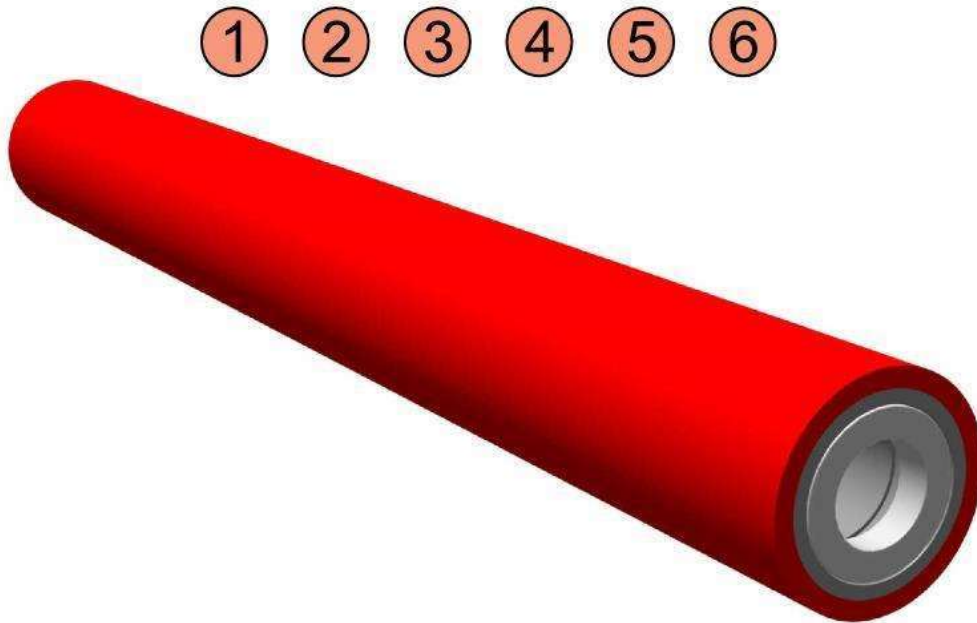


TVXXXXX

Item	Part number	Description
1	5824331	Continuous Converter Kit

Brackets for SmartDate X40/X60 Series

Print Roller (400 -> 650mm)

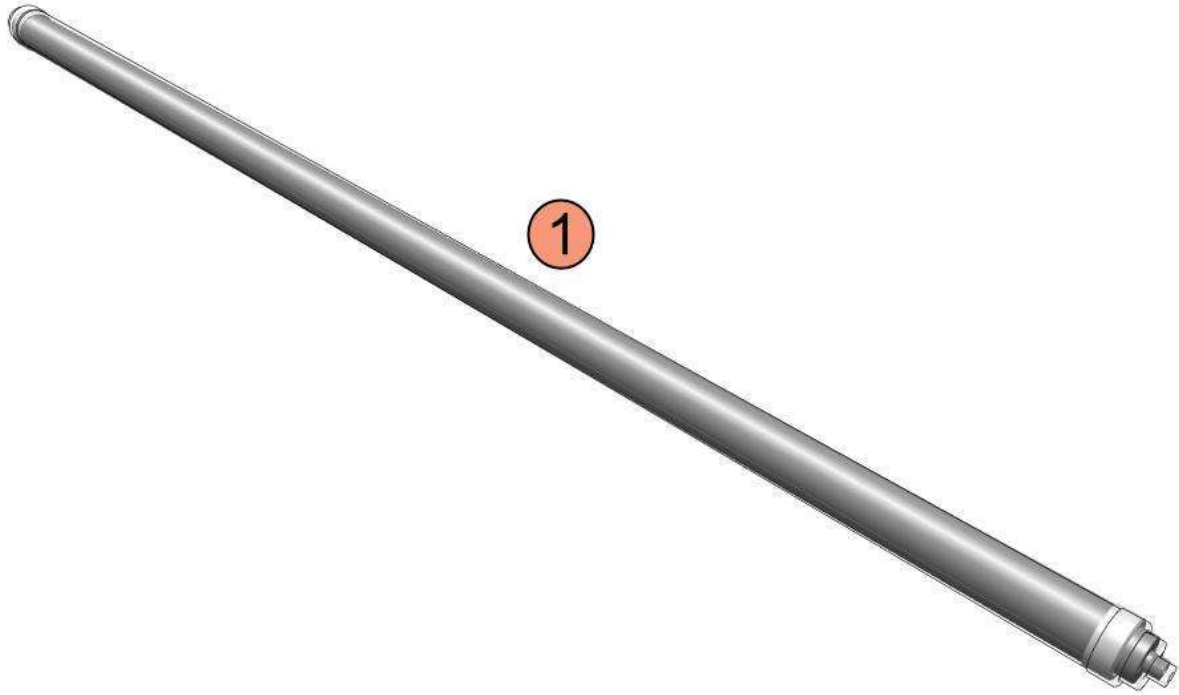


TV02609

Item	Part number	Description
1	5824374	Print Roller (400mm)
2	5824375	Print Roller (450mm)
3	5824376	Print Roller (500mm)
4	5824377	Print Roller (550mm)
5	5824378	Print Roller (600mm)
6	5824379	Print Roller (650mm)

Brackets for SmartDate X40/X60 Series

Diverting Roller

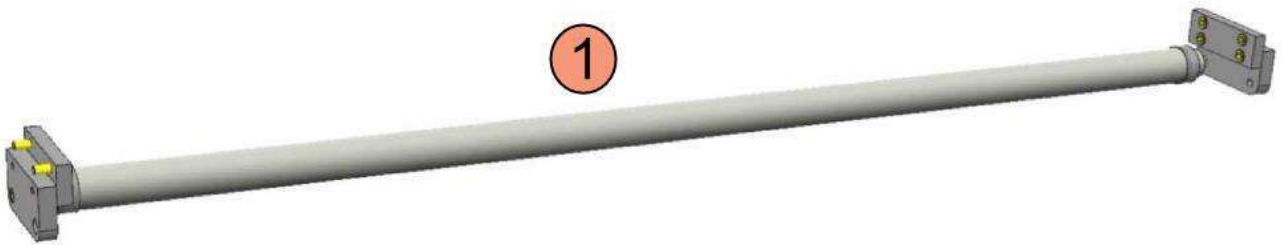


TV02610

Item	Part number	Description
1	5824324	Diverting Roller

Brackets for SmartDate X40/X60 Series

Diverting Roller Kit (single)

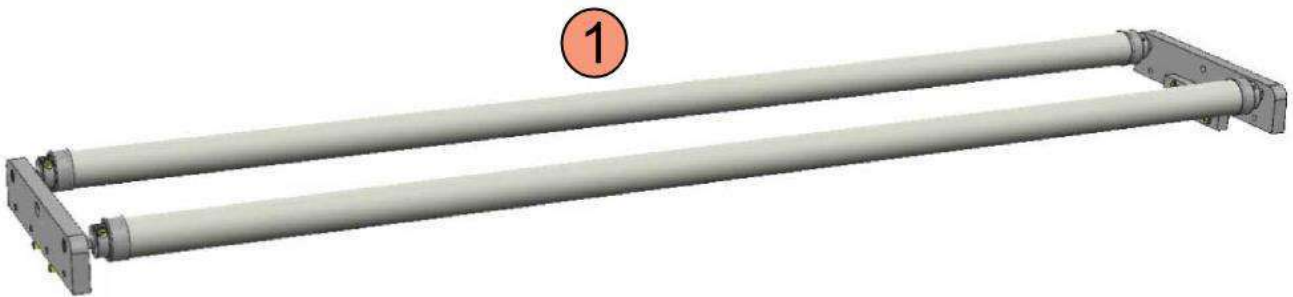


TV02611

Item	Part number	Description
1	5824326	Diverting Roller. Kit (single)

Brackets for SmartDate X40/X60 Series

Diverting Roller Kit (Multi)

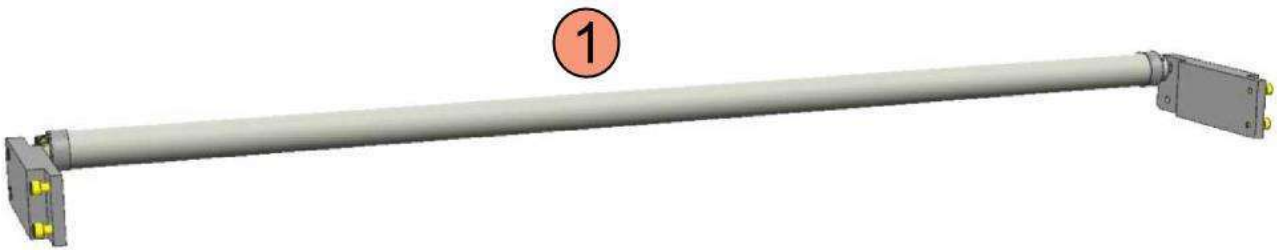


TV02612

Item	Part number	Description
1	5824327	Diverting Roller. Kit (Multi)

Brackets for SmartDate X40/X60 Series

Extension Arm

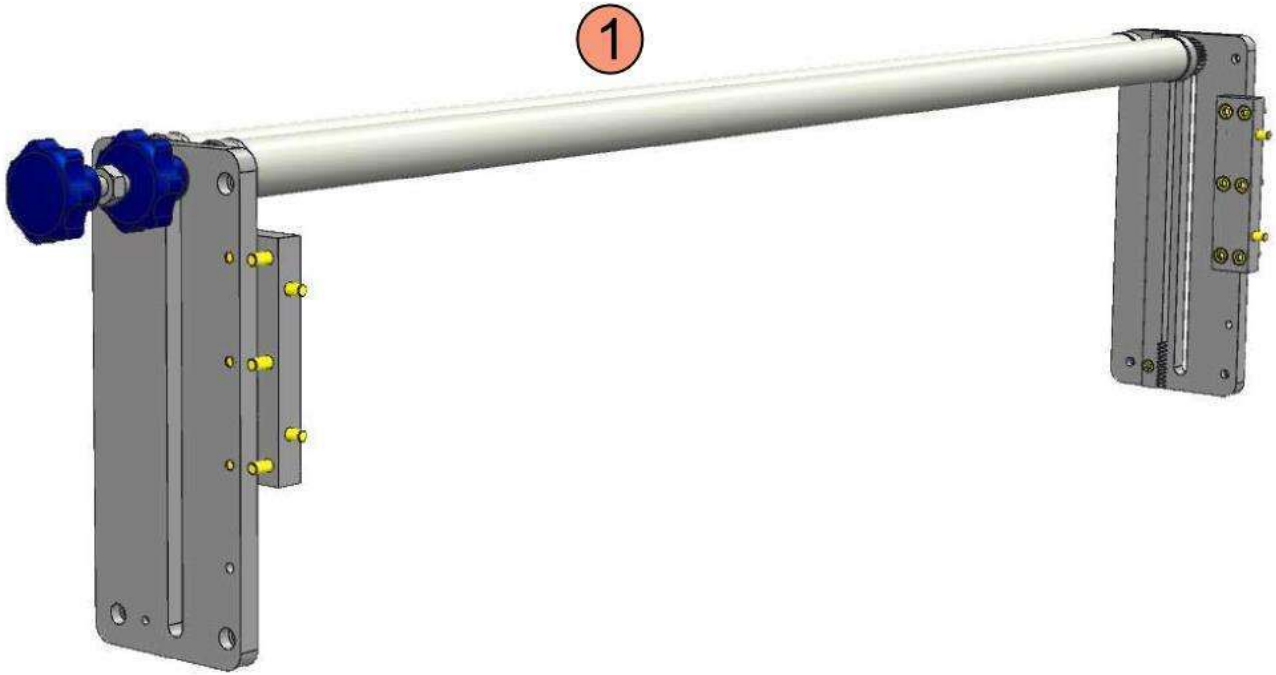


TV02613

Item	Part number	Description
1	5824328	Extension Arm

Brackets for SmartDate X40/X60 Series

Registration Kit

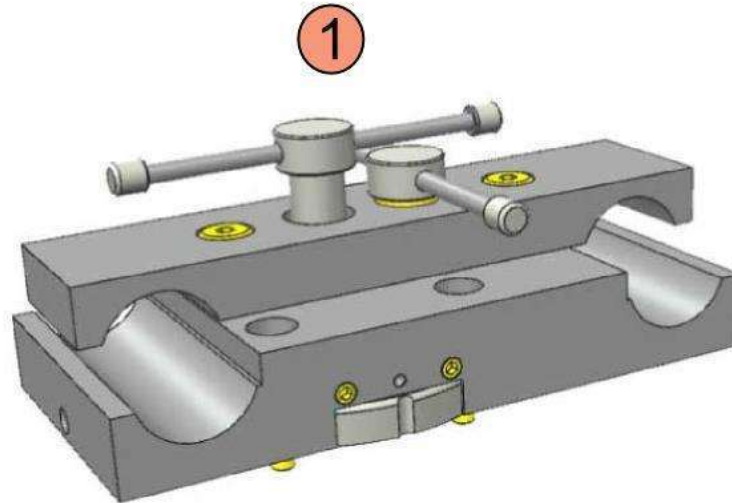


TV02614

Item	Part number	Description
1	5824265	Registration Kit

Brackets for SmartDate X40/X60 Series

Rotary Head Mount



TV02615

Item	Part number	Description
1	5824352	Rotary Head Mount

Brackets for SmartDate X40/X60 Series

Solid Side Plate

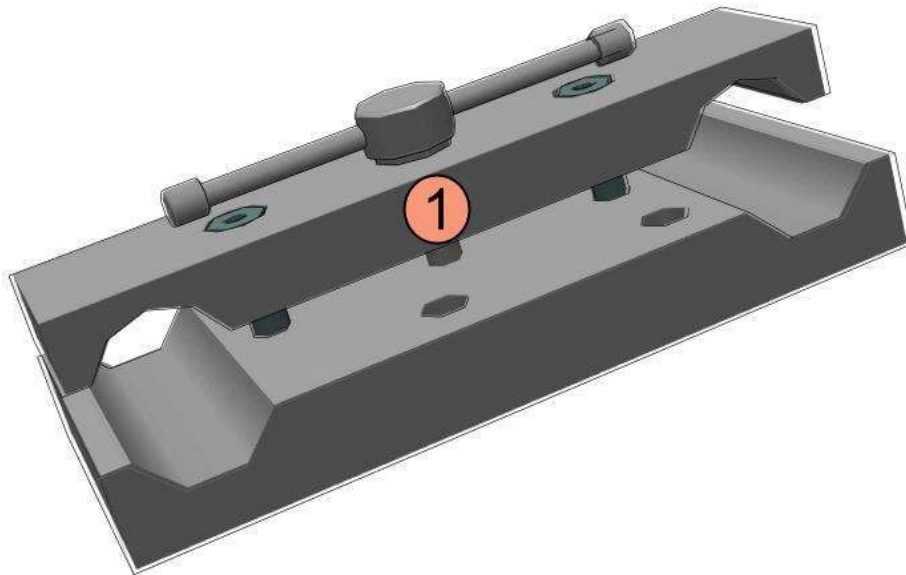


TV02616

Item	Part number	Description
1	5362612	Solid Side Plate

Brackets for SmartDate X40/X60 Series

Head Mount Assembly

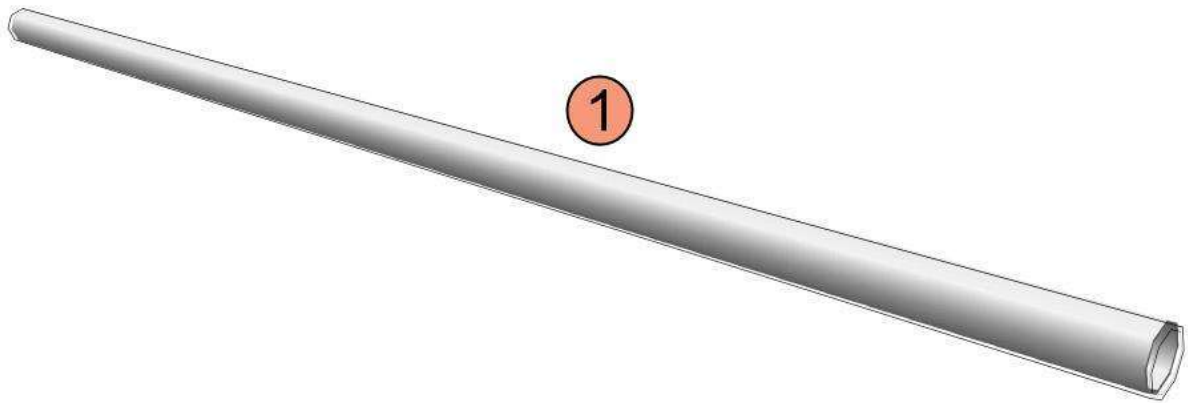


TV02617

Item	Part number	Description
1	5824260	Head Mount Assembly

Brackets for SmartDate X40/X60 Series

Cross Support Tube

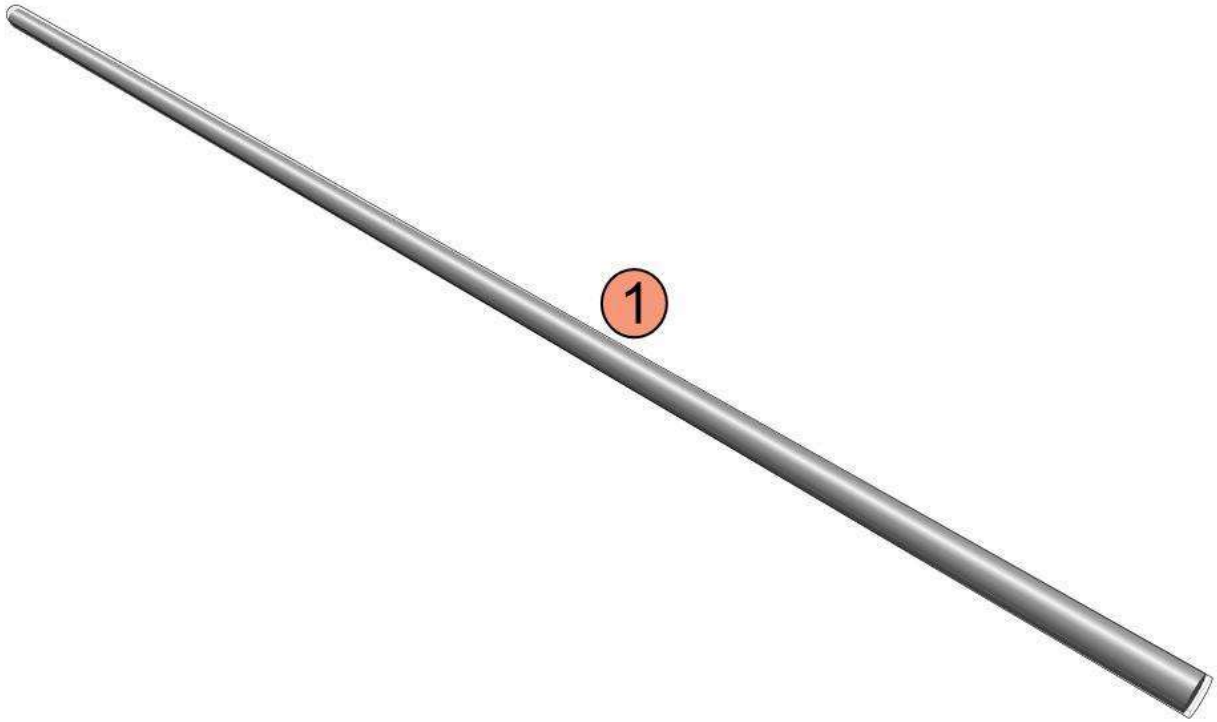


TV02618

Item	Part number	Description
1	5942863	Cross Support Tube

Brackets for SmartDate X40/X60 Series

Pressure Roller Shaft

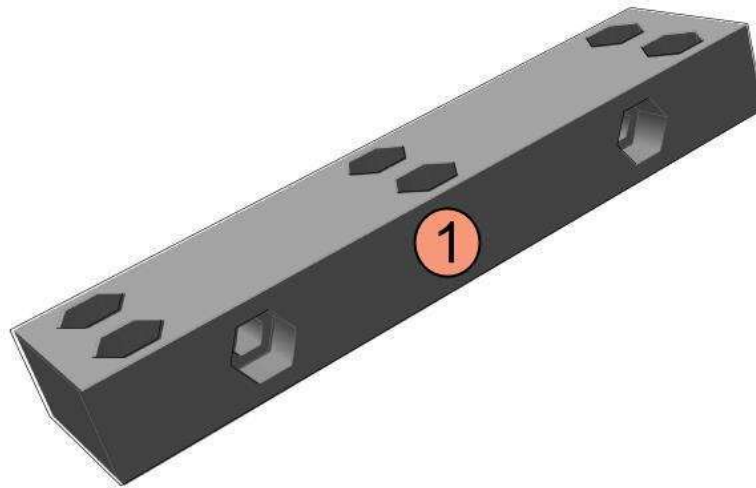


TV02619

Item	Part number	Description
1	5942862	Pressure Roller Shaft

Brackets for SmartDate X40/X60 Series

Connector Kit

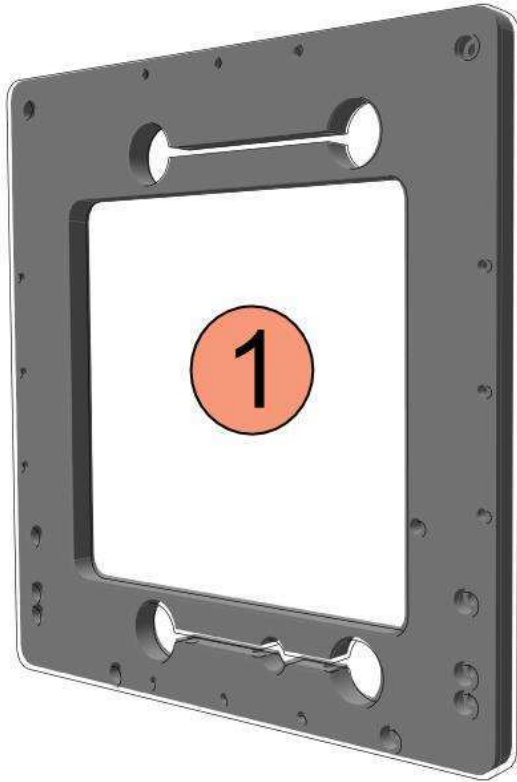


TV02620

Item	Part number	Description
1	5824298	Connector Kit

Brackets for SmartDate X40/X60 Series

Window Side Plate



TV02621

Item	Part number	Description
1	5362325	Window Side Plate
2	5362326	Window Side Plate

Brackets for SmartDate X40/X60 Series

Intermittent (L) Side Plate

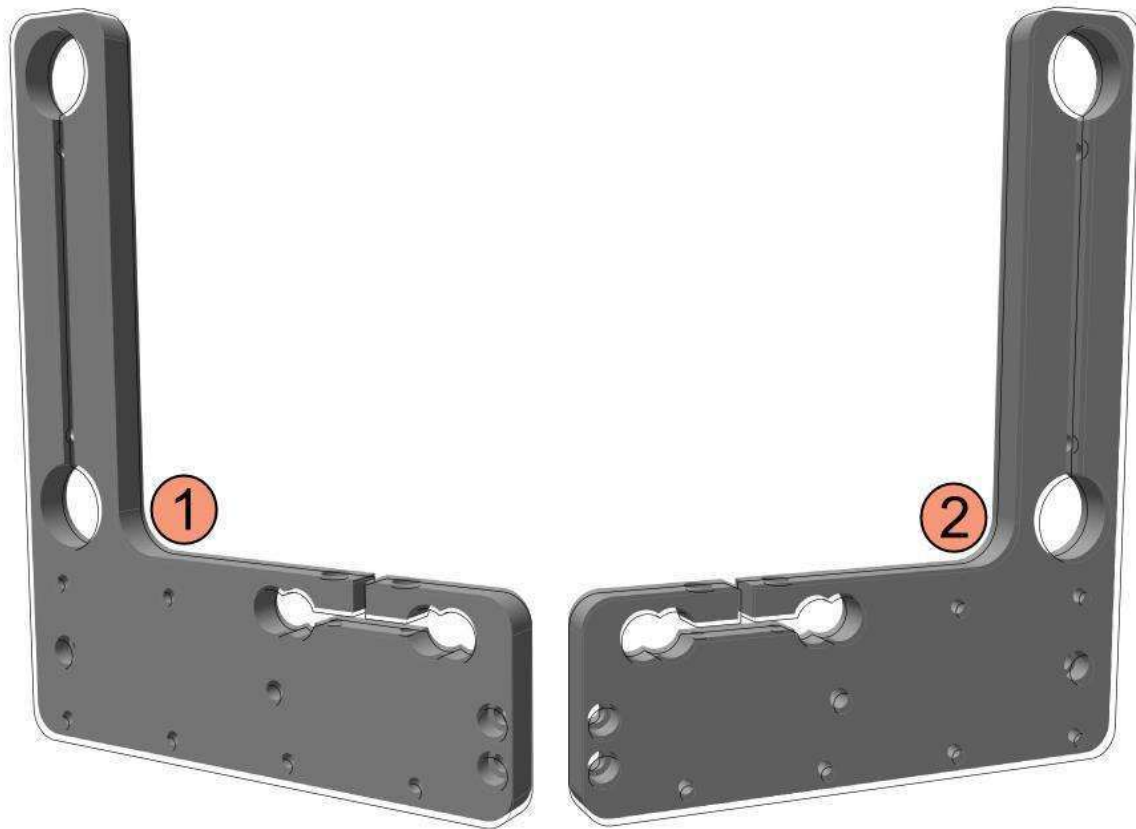


TV02623

Item	Part number	Description
1	5366496	Intermittent (L) Side Plate
2	5366495	Intermittent (L) Side Plate

Brackets for SmartDate X40/X60 Series

Continuous (L) Side Plate



TV02624

Item	Part number	Description
1	5366283	Continuous (L) Side Plate
2	5366282	Continuous (L) Side Plate

Brackets for SmartDate X40/X60 Series

Intermittent (L) Head Mount Assembly

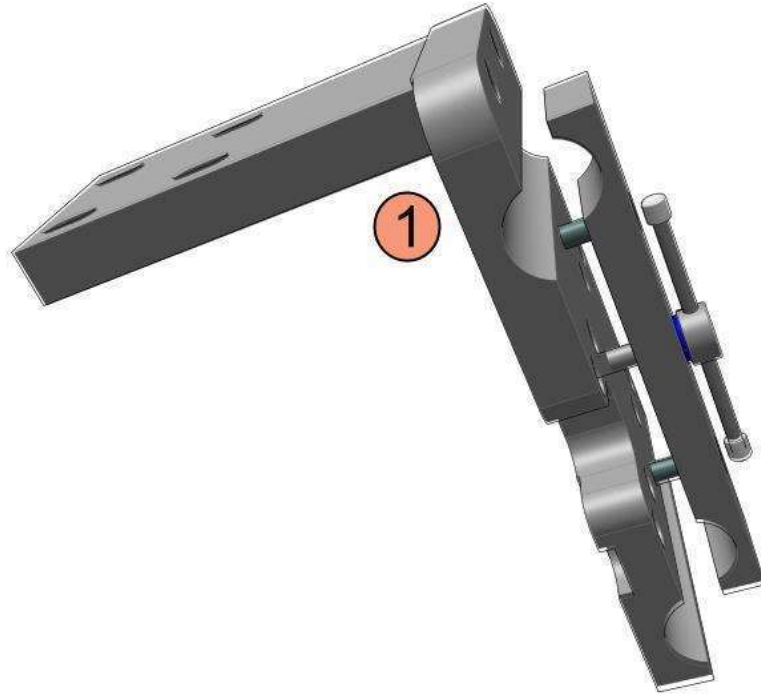


TV02625

Item	Part number	Description
1	5824834	Intermittent (L) Head Mount Assembly

Brackets for SmartDate X40/X60 Series

Continuous (L) Head Mount Assembly

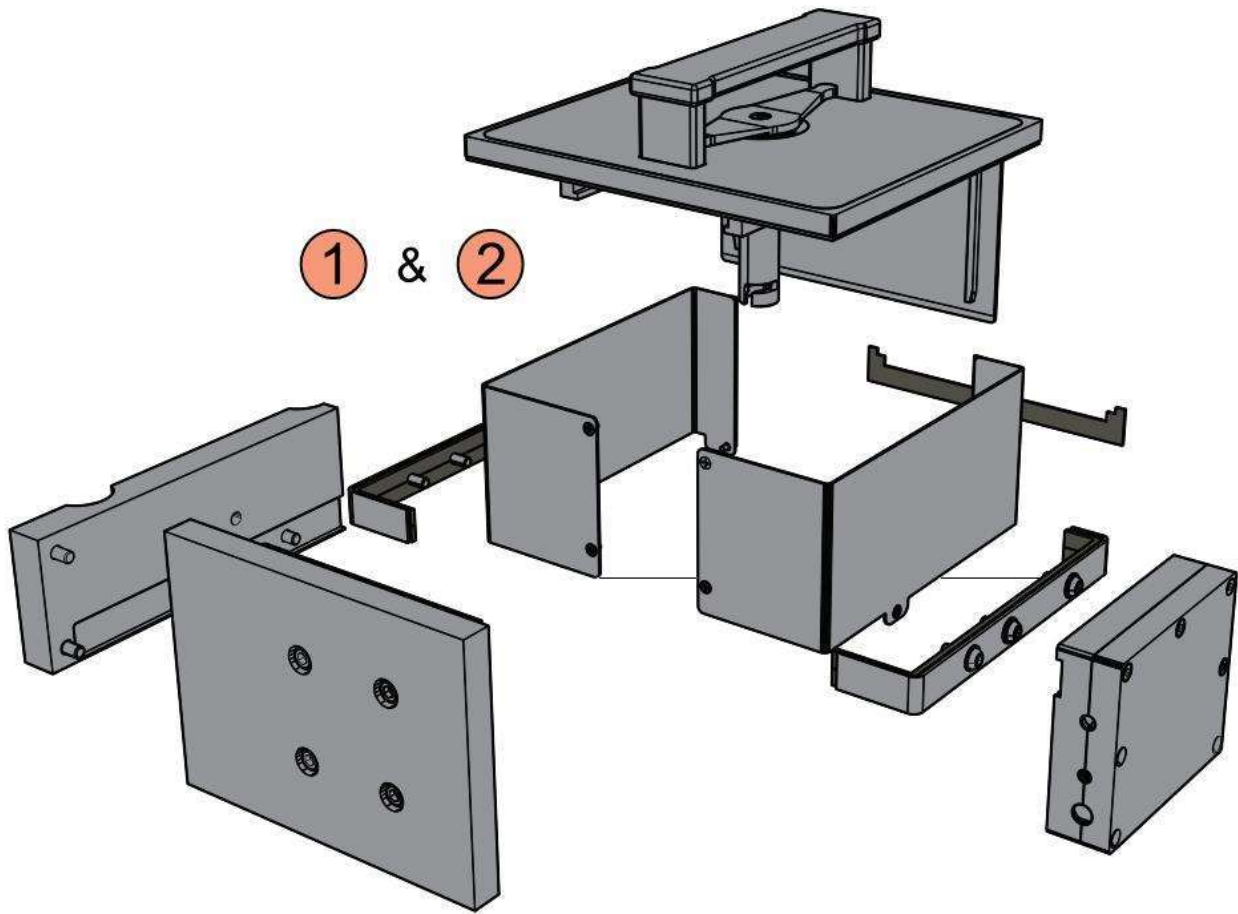


TV02626

Item	Part number	Description
1	5825512	Continuous (L) Head Mount Assembly

SDX45 Washdown Kits Spare Parts

SDX40/45 IP Printer L Bracket Kit

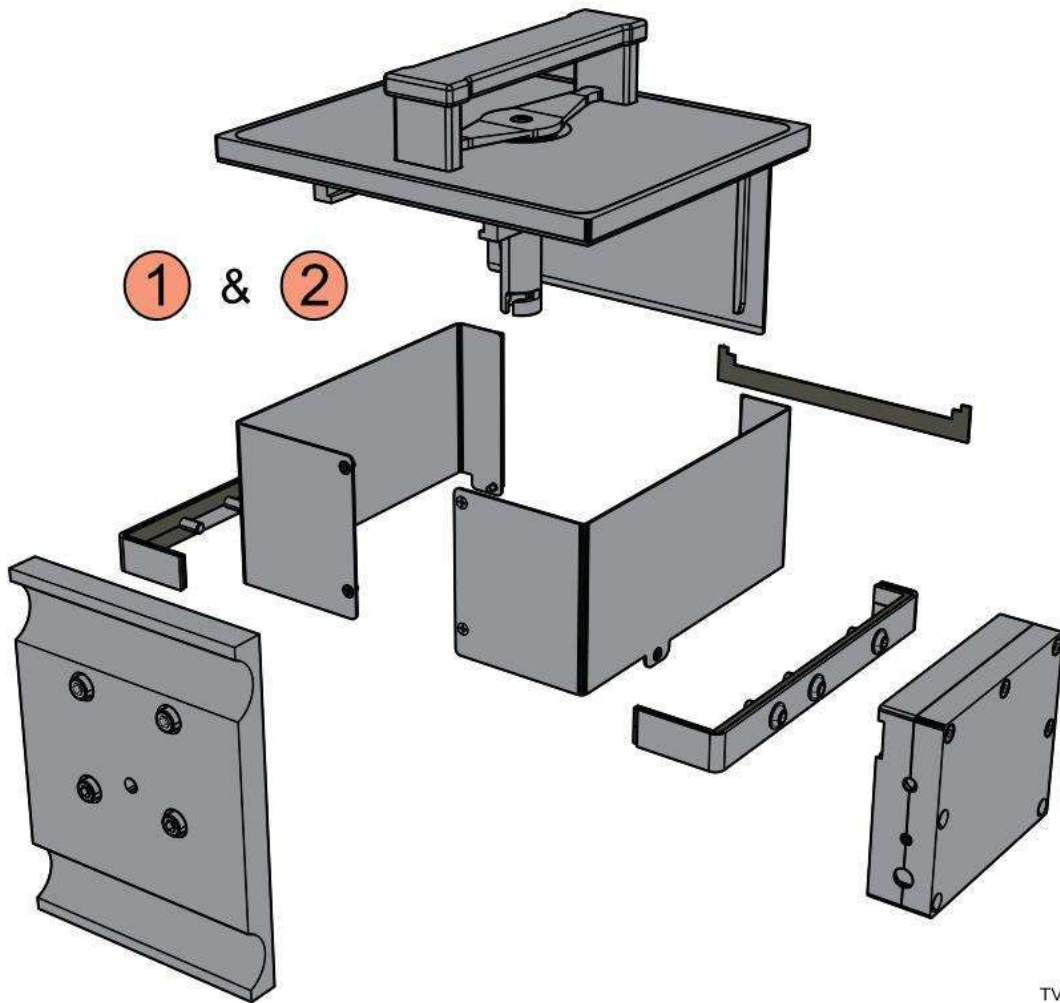


TV02054

Item	Part number	Description
1	10065014	SDX40 IP. Printer L Bracket Kit (With Manual)
1	10067187	SDX40 IP. Printer L Bracket Kit (No Manual)
1	10111070	SDX45 IP. Printer L Bracket Washdown Kit

SDX45 Washdown Kits Spare Parts

SDX40/SDX45 IP Printer Window Bracket Kit

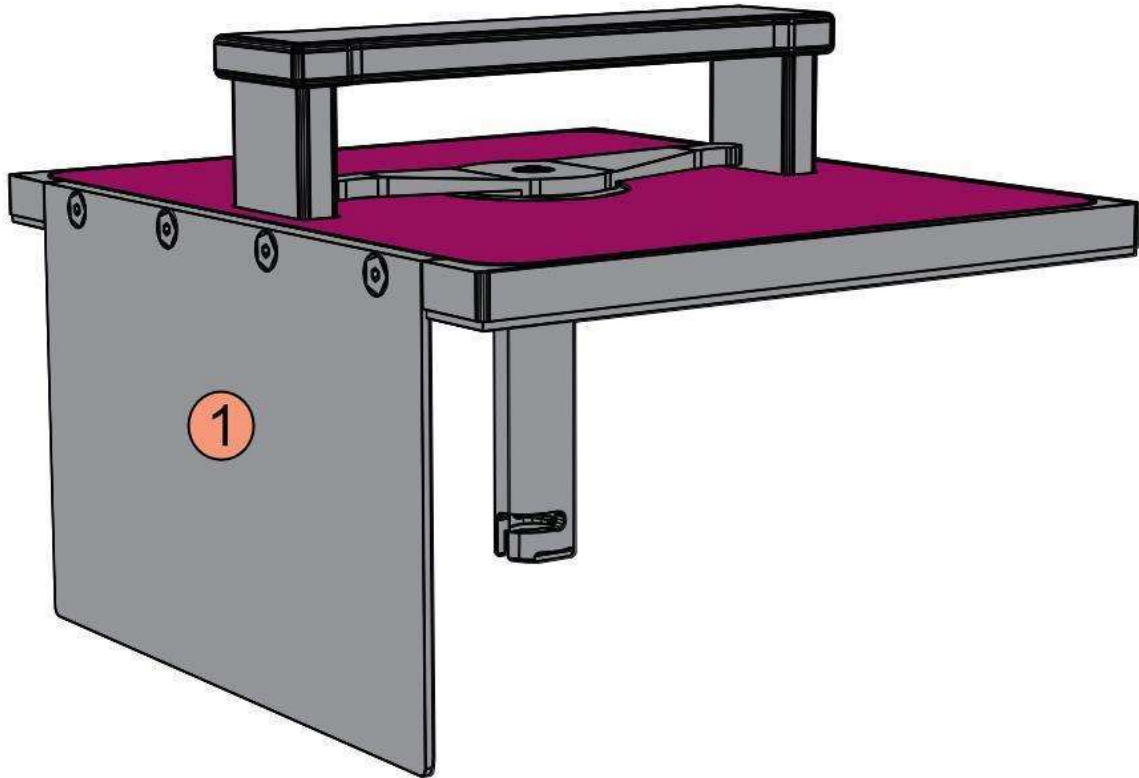


TV02055

Item	Part number	Description
1	10067188	SDX40 IP. Printer. Window Bracket. Kit (No Manual)
1	10063316	SDX40 IP. Printer. Window Bracket Kit (With Manual)
1	10111069	SDX45 IP. Printer. Window Bracket Washdown Kit

SDX45 Washdown Kits Spare Parts

SDX40/SDX45 Washdown Cassette

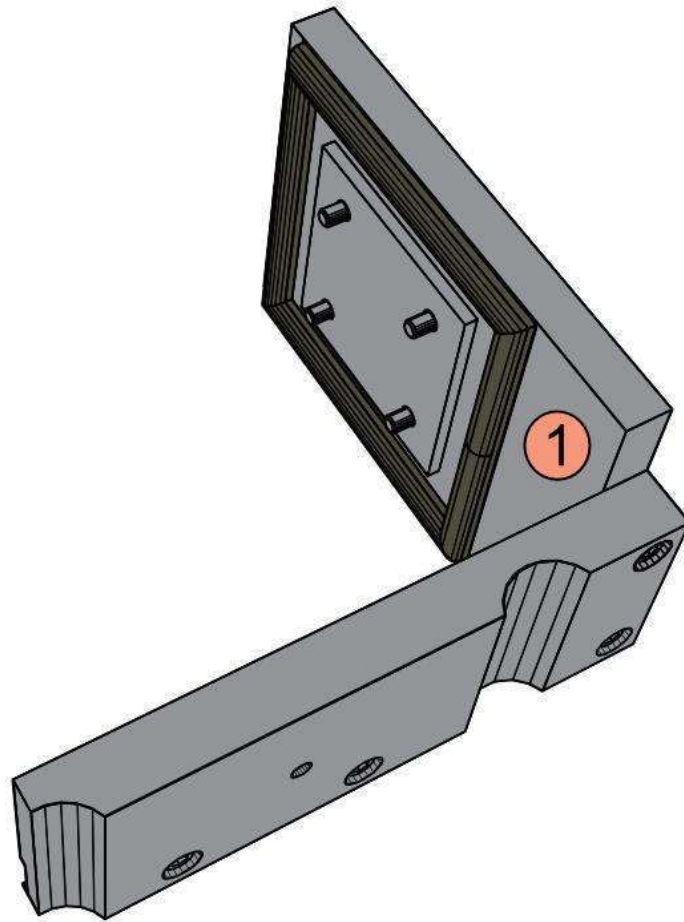


TV02056

Item	Part number	Description
1	ENM10063146	SDX40/45 Washdown Cassette Assy

SDX45 Washdown Kits Spare Parts

SDX40/SDX45 IP L Bracket Mount Assembly

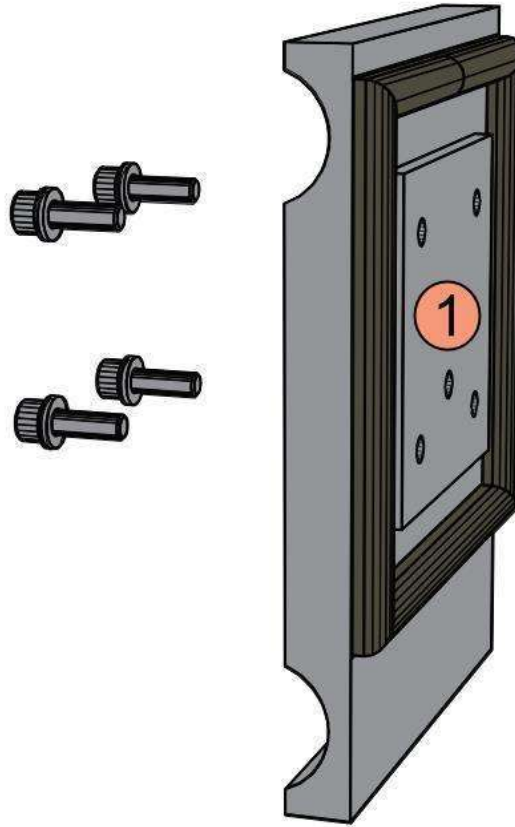


TV02057

Item	Part number	Description
1	ENM10063680	SDX40/SDX60 IP L Bracket Mount Assembly

SDX45 Washdown Kits Spare Parts

SDX40/SDX45 IP Head Slide Assembly

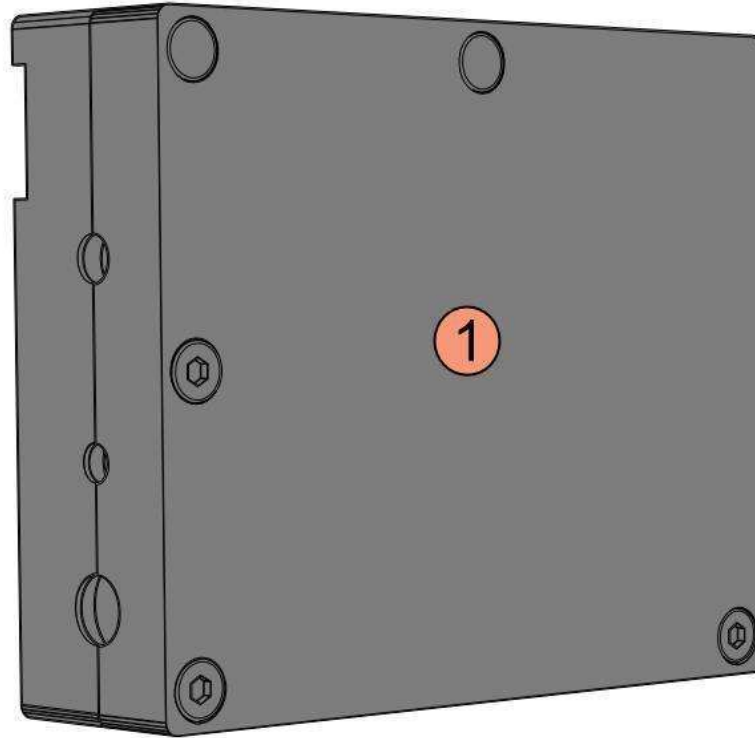


TV02058

Item	Part number	Description
1	ENM10063313	SDX40/SDX60 IP Head Slide Assembly

SDX45 Washdown Kits Spare Parts

SDX40/SDX45 IP Cable Box Assembly

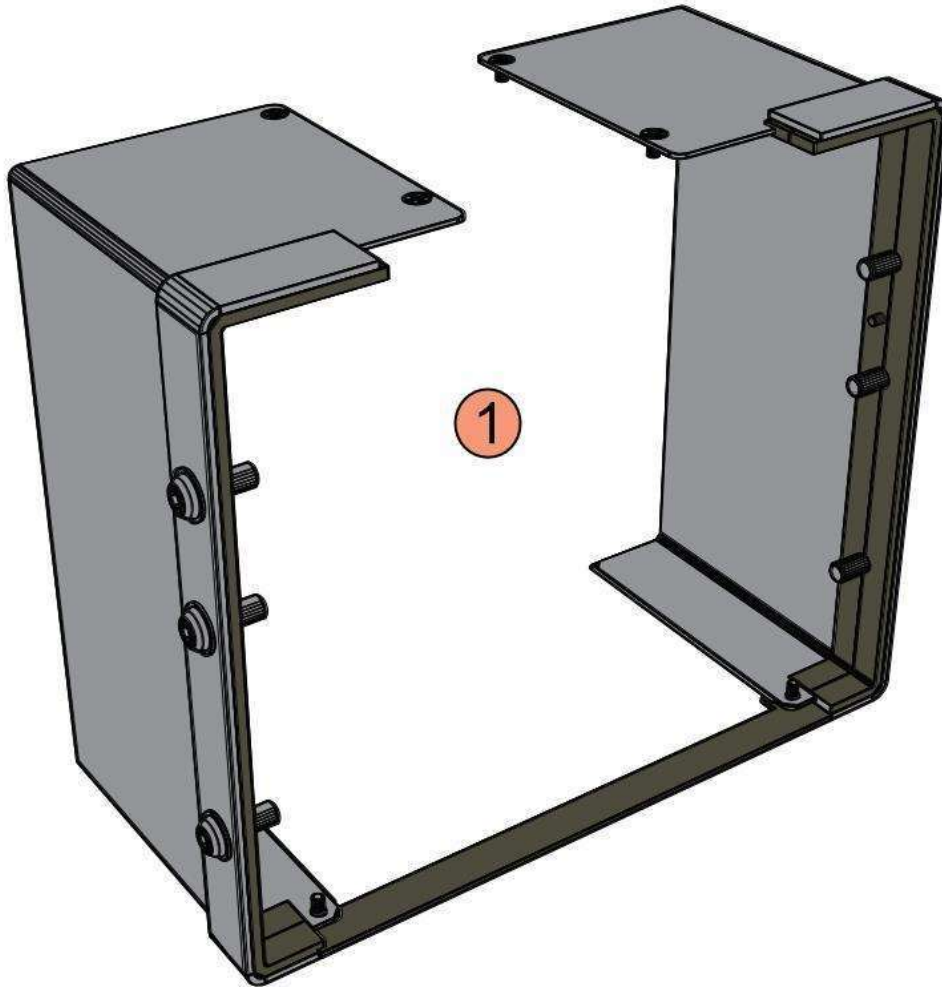


TV02059

Item	Part number	Description
1	ENM10063315	TTO - WASHDOWN CABLE BOX ASSY

SDX45 Washdown Kits Spare Parts

SDX40/SDX45 IP Cover Seal Assembly

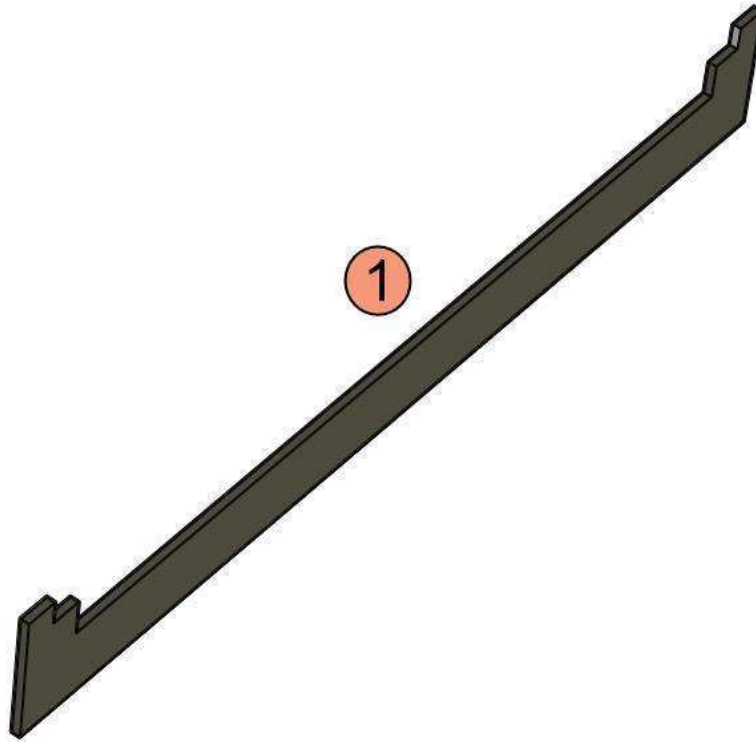


TV02060

Item	Part number	Description
1	ENM10063314	SDX40/SDX45 Washdown Cover Seal Assy

SDX45 Washdown Kits Spare Parts

SDX40/SDX45 IP Bottom Gasket

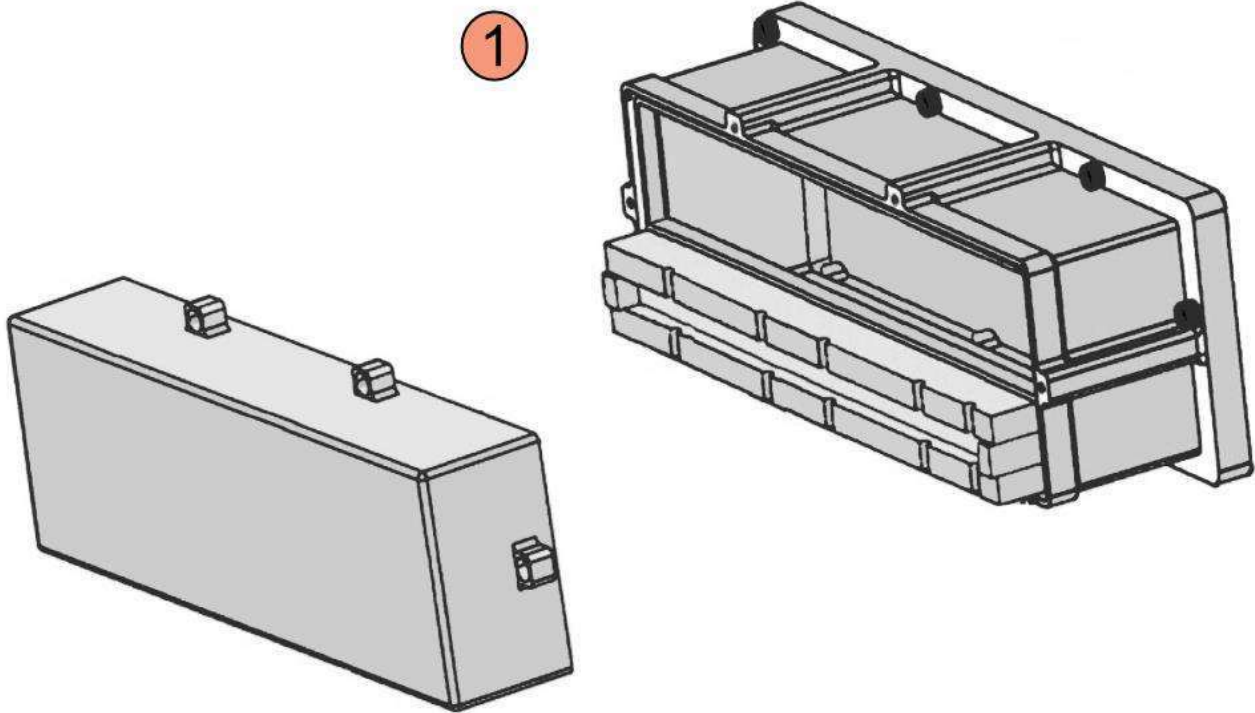


TV02061

Item	Part number	Description
1	10063142	SDX40/SDX60 IP Bottom Gasket

SDX45 Washdown Kits Spare Parts

SD MUI Controller IP Washdown Kit

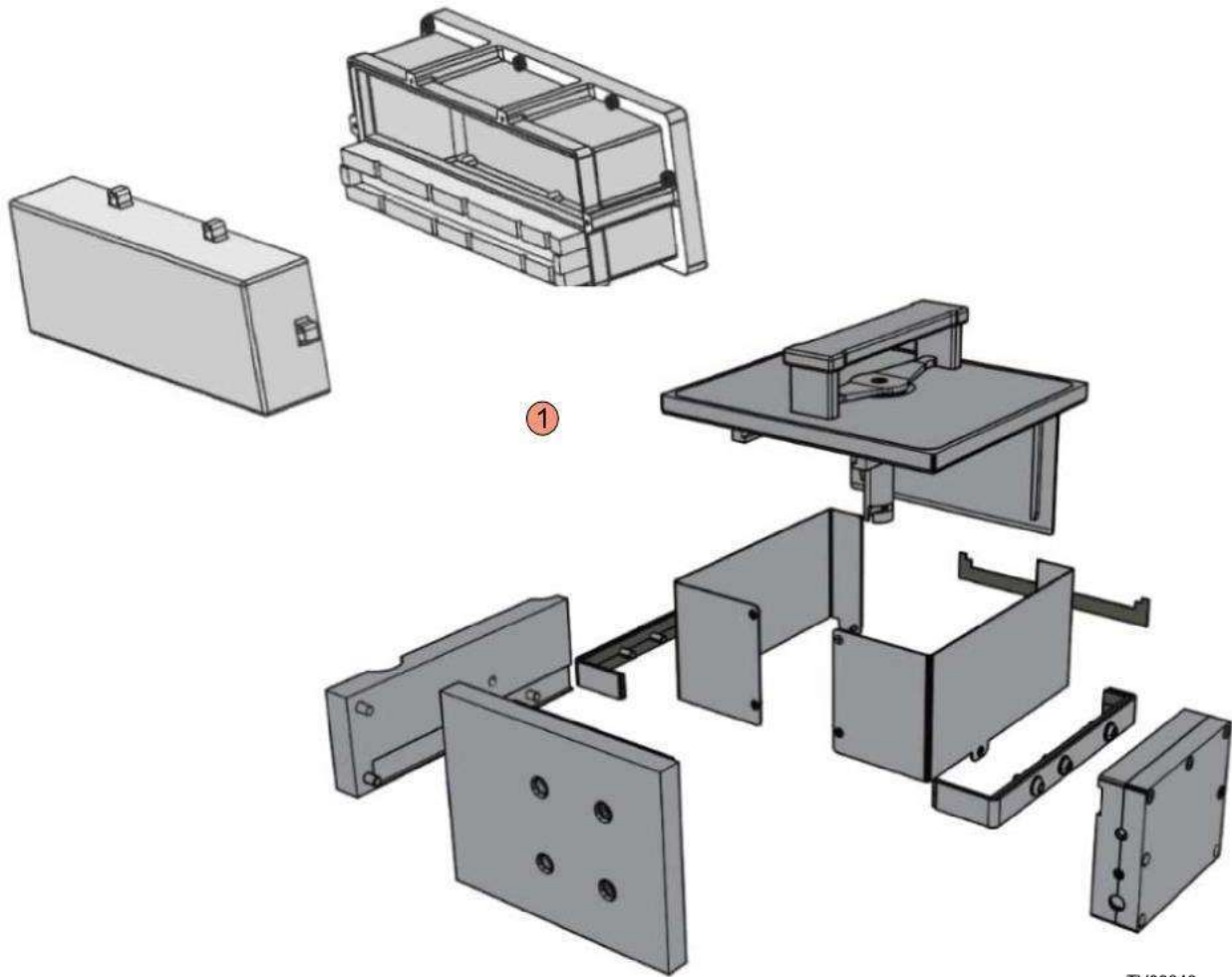


TV02080

Item	Part number	Description
1	10098870	SmartDate MUI Washdown. Kit

SDX45 Washdown Kits Spare Parts

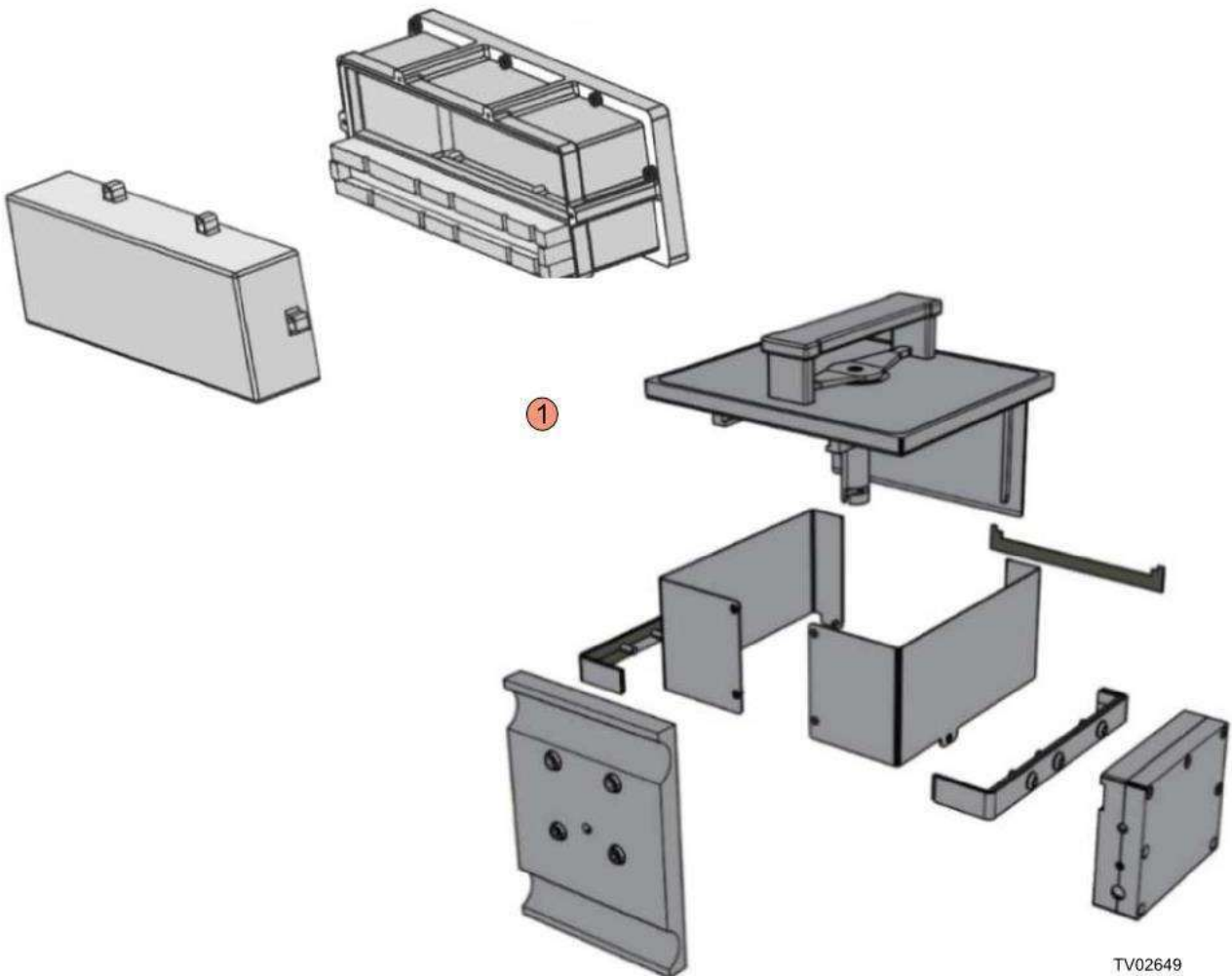
SDX40/SDX45 IP Printer L Bracket-MUI Kit



Item	Part number	Description
1	10109117	SDX40/SDX45 Printer + Controller L-Bracket Washdown Kit

SDX45 Washdown Kits Spare Parts

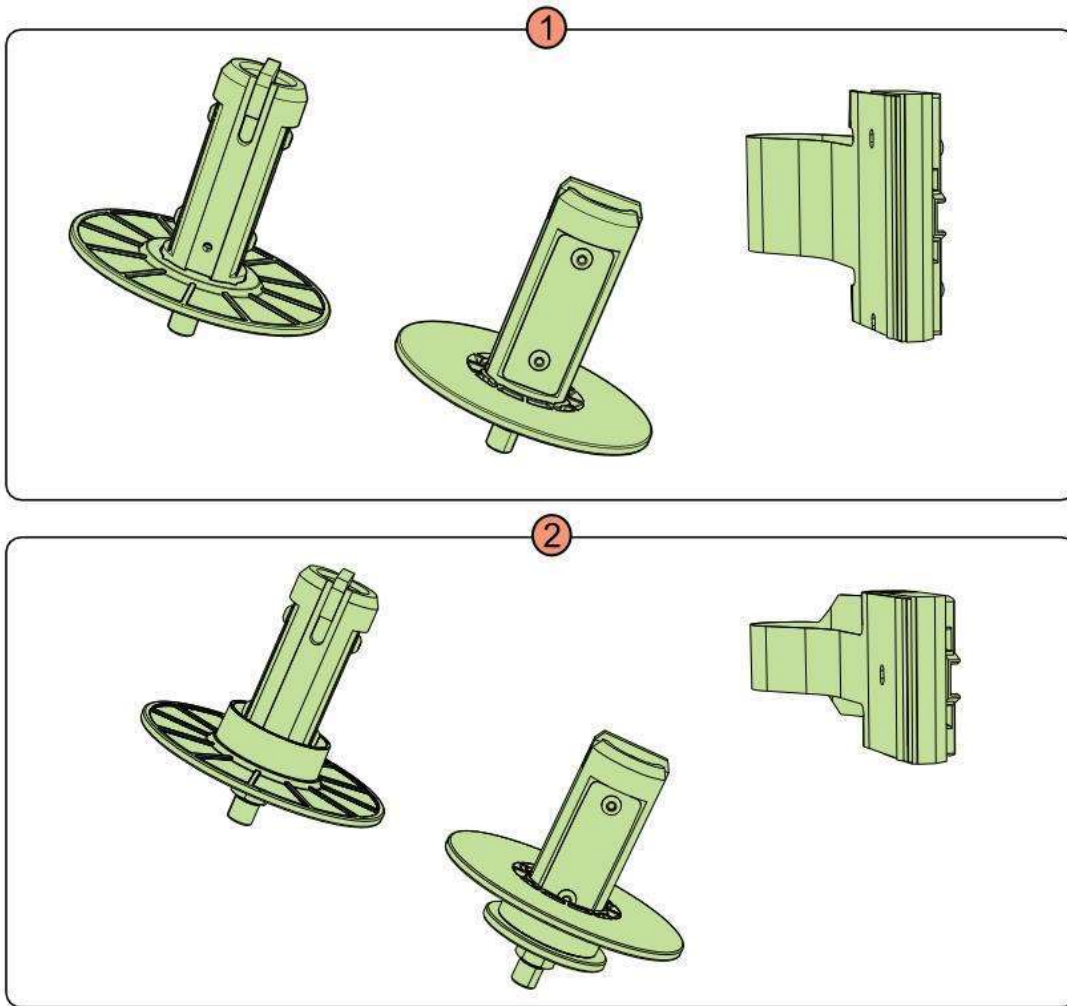
SDX40/SDX45 IP Printer Window Bracket-MUI Kit



Item	Part number	Description
1	10109101	SDX40/SDX45 Printer + Controller Window Bracket Washdown Kit

Consumables/Spares Kits

53mm to 32mm Configuration kit

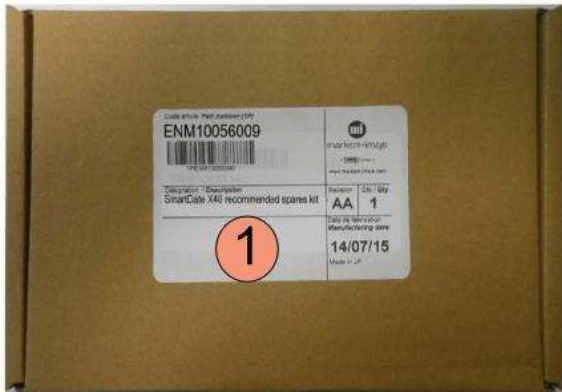


TV02050

Item	Part number	Description
1	ENM10054400	TTO - XS - 32MM TO 53MM CONFIGURATION KIT
2	ENM10054401	53mm to 32mm Configuration kit

Consumables/Spares Kits

Recommended spares kit



Part number	Description	QTY
5825546	Threaded peel roller assembly	1
5630381	POWERGRIP DRIVE BELT	1
10053110	MOVEMENT ROLLER ASSEMBLY	1
10029510	LOCATING ROLLER ASSEMBLY *ADV*	1
10054399	Tension Sensor Roller Assembly	1
B04297AA	FUSE T5A 20MM HRC RoHS	2
10055227	LOCATING PIN	1
10056464	SmartDate Brake Pad	4
10072344	STOP TUBE	1
313233	SCREW MC6S M5x50 A4	1
10056410	8mm RED NETLON (SLEEVE .0184)	1
10056410	8mm RED NETLON (SLEEVE .0184)	1



TV02051

Item	Part number	Description
1	ENM10056009	Recommended spares kit
2	5825546	Peel roller assembly
3	5630381	Drive belt
4	10029510	Locating roller assembly
5	ENM10053157	TTO - XS - CASSETTE LOCATING PIN
6	ENM10053110	Movement roller assembly
7	ENM10054399	Tension roller & slide kit
8	10056464	Brake grommets

Consumables/Spares Kits

Printer - cassette and controller hardware kit



Part number	Description	QTY
5160699	3 DIA X 14 LONG STNLS SPIROL PIN	3
5111671	M4 X 6 SKT BTIN HD SCR (STNLS)	7
5140193	KEY 3X3X10 WITH RADIUSSED ENDS	1
5160703	4 DIA X 20 LG HD STNLS DOWEL PIN	1
5160709	2 DIA X 14.0 LONG SPIROL PIN	1
5170693	SHAKEPROOF WASHER M6 S/S	4
5171383	PLAIN WASHER M5 ST STEEL	4
5171384	PLAIN WASHER M6 S/S	2
5686299	2.5MM BLACK CABLE TIE	2
10000832	PIN-DOWEL PRL M3 X 8 SST	2
10000835	PIN-DOWEL PRL M3 X 16 SST	2
10000840	PIN-DOWEL PRL M4 X 16 SST	2
10014165	WSHR-FLAT NARROW M3 SST	11
10020818	SPRING	2
10020820	WASHER	2
10025615	BELT TENSION SPRING	1
10026045	BLUE PATCH CAP SCREW M3X8 SST	21
10026057	BLUE PATCH CAP SCREW SKT M3X16 SST	5
10026059	BLUE PATCH CAP SCREW SKT M4X12 SST	8
10026094	BLUE PATCH CAP SCREW SKT M3X12 SST	6
10026096	BLUE PATCH CAP SCREW SKT M5X20 SST	1
10026097	BLUE PATCH CAP SCREW SKT M3X20 SST	7
10026098	BLUE PATCH CAP SCREW SKT M3X5 SST	5
10026100	BLUE PATCH CAP SCREW SKT M3X10 SST	3
10026102	BLUE PATCH CAP SCREW SKT M4X10 SST	7
10026103	BLUE PATCH FLAT SCREW SKT M3X8 SST	4
10026208	BLUE PATCH BTNHD SCREW SKT M3X8 SST	4
10026428	BLUE PATCH BTNHD SCREW SKT M4X10	1
10026508	BLUE PATCH CSK SCREW POZI M3X6 SS	12
10026543	BLUE PATCH BTNHD SCREW SKT M3X6 SS	1
10026547	BLUE PATCH CAP SCREW SKT M2.5 x 6mm SS	2
10026623	DOWEL DIA 4 X 6 SS	2
10028288	O_RING	4
10028289	SCREW SHOULDER M3 SH3-5	2
10028520	BLUE PATCH SET SOC FLAT M4x6 SST	4
10029013	BLUE PATCH SKT SET FLAT M3 X 8 SST	2
10029634	CABLE CONSTRAINT	2
10029812	BLUE PATCH SKT CAP M5 X 16 SST	2v
10030434	WAVE WASHER 14x16 SS	2
10032265	BLUE PATCH BTNHD SCREW SKT M5X12 SST	1
10033149	ring retaining 8mm	2
10035441	BLUE PATCH CAP SCREW SKT M4X16 SST	2
10035442	SMALLY SPRING 2393-U-66	1
10042050	SUPPORT POST / RICHOP SP L-4-01	4
10042051	Flat Cable Clamp	1
10053205	M3 CLEARANCE SPACER NS06-32	2
10053294	F605ZZ BEARING	2
10053295	SPRINGMASTER W61310R WAVE SPRING	1
10053358	SCR SKT CAP M2.5X6 SST TUFLOCK 180	2
10053497	SCR SKT CAP M4X6 SST TUFLOCK 180	8
10053609	SCR POZI CSK M2X6 SST TUFLOCK 180	1
10053734	SCR SKT BTHD M3X25 SST TUFLOCK 180	2
10053804	SCR SKT CSK M3X6 SST TUFLOCK 180	6
10053826	SCR SKT CSK M2.5X6 SST TUFLOCK 180	2
10054209	SCR SKT CAP M4X20 SST TUFLOCK 180	1
10054272	BRAKE SPRING	1
B00070AA	M4 PLAIN WASHER	1
B00071AA	M4 FULL NUT	2
B00217AA	M3 SHAKEPROOF WASHER	5
B00360AA	M5 X 10 SKT HD CAP	4
B00664AA	BOLT SKT CAP M3 X 8	2
B00709AA	M6 HEX LOCKNUT STAINLESS STEEL	2
B01171AA	M3 FULL NUT	1
B01206AA	M3 X 06 SKT HD CSK	16
B01444AA	M3 X 6 LONG HEX SKT CAP HEAD SCREW	4
B03555AA	DOWEL PIN DIA. 3X20	2
B03559AA	M6 AERO LOCK NUT	2
B03575AA	2.5 X 06 SKT HD CAP	1
B03824AA	M3 X 4 LONG HEX SKT BTIN HEAD SCREW	8
B04292AA	SCREWLOCK ASS. (4/40 UNC)	2
B04691AA	M3 NYLOCK NUT	1
180734	GROMMET MS 35489-4	4
5171384	PLAIN WASHER M6 S/S	4
5111657	SCREW SOC CAP M4X0.7-6 STNLS	7
10056464	SmartDate Brake Pad	4
B04665AA	SHIM 20 X 28 X 0.10 (ASC REF S	1
10064459	REDUCED PRINTER PLATE SPACER	1

TV02052

Item	Part number	Description
1	ENM10054395	TTO - XS - PRINTER, CASS & CONTROLLER HARDWARE KIT