

LASER

The SmartLase C340 is a complete cost-effective, laser coding solution that is suitable for basic packaging applications in the food, beverage and other industries. This all-in-one industrial laser coding solution delivers consistently high quality codes with fast and easy line change-overs.

Complete and flexible

■ Ready to print in one convenient unit

An affordable all-in-one design, the SmartLase C340 can be ordered complete with a dedicated fume extractor and package sensor mounted on an adjustable stand with a rolling caster base.

■ Greater flexibility and uptime

The SmartLase C340 offers you the flexibility to move from one conveyor to the next in less than 15 minutes with convenient adjustable stand and caster base. Also, there is no need to stop production to adjust or fine-tune contrast and code position, which means less downtime.

■ Powerful enough to handle most coding and marking applications

SmartLase C340 is capable of meeting all your basic package coding needs with 30 Watt, 10.6 μ wavelength laser and choice of 3 lenses from 70 mm x 70 mm to 120 mm x 120 mm.

Robust and simple

■ Durable design

Reliable IP44 design (no plastic parts). Resists > 1 mm particles and water spray. Prints in environments up to 45 °C.

■ Minimize operator errors

Intuitive and simple user interface options: choose 7" WYSIWYG touch screen or quick and convenient web-based UI for remote access from a laptop or desktop PC.

■ High quality codes

Patented "SmartLase Code Technology", with **Intelli'Arc**, providing superior quality codes on a wide variety of substrates including difficult-to-code laminate coated materials, at a rate of up to 125 meters per minute.

■ Trusted technology

Leveraging the same "SmartLase Code Technology" that is embedded into all our SmartLase models, the SmartLase C340 ensures that the user experience is easy and straightforward. Utilizing patented algorithms and unique fonts allows for perfect lines and smooth curves, producing high quality codes at faster line speeds.



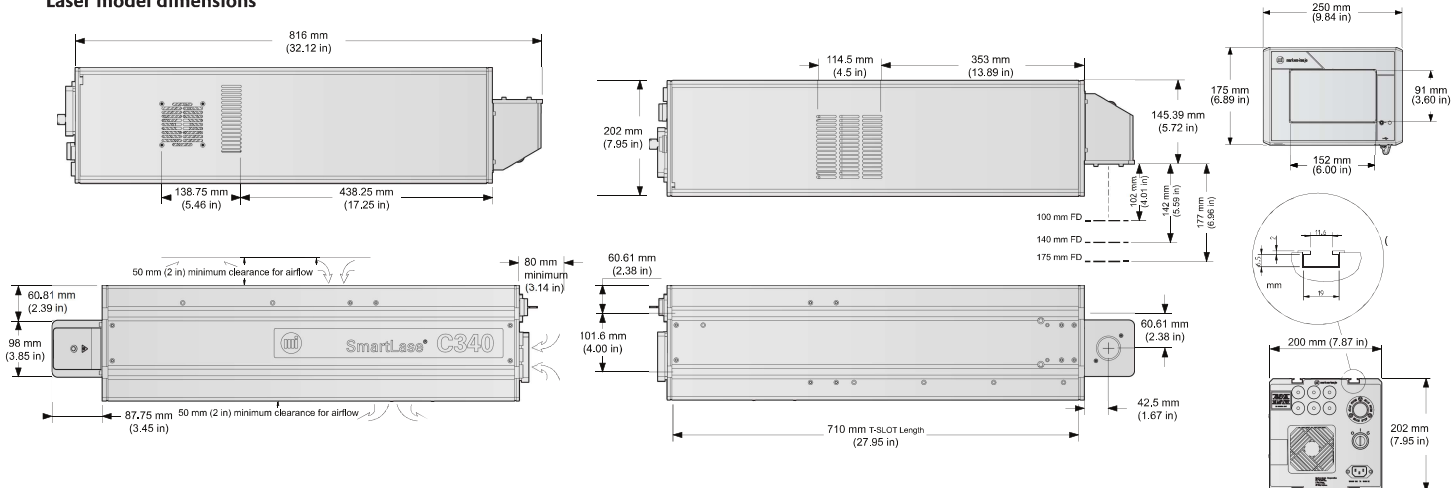
The SmartLase C340 solution can be ordered with a dedicated fume extractor and package sensor mounted on an adjustable stand with a rolling caster base.



Leveraging "SmartLase Code Technology" ensures impeccable codes even on difficult to laser (laminated coated) substrates.

SmartLase C340 - Specifications

Laser model dimensions



SmartLase C340 30 W sealed CO ₂	
Production line speed (max.)	125 m/min.*
Marking speed (max.)	900 characters/s
Print features	<ul style="list-style-type: none"> Number of text lines: limited only by character height and allowable print area Character height: from 1 to 120 mm Choice of characters: Chinese, Latin and Unicode fonts Wide selection of languages: Arabic, Bosnian, Brazilian Portuguese, Bulgarian, Chinese, Croatian, Czech, Danish, Dutch, English, Finnish, French, German, Greek, Hungarian, Italian, Japanese, Korean, Polish, Romanian, Russian, Serbian, Slovenian, Spanish, Swedish, Turkish
Standard coding area and focal distance (mm)	<ul style="list-style-type: none"> Lens 100 x 100 / fd 140
Operations	<ul style="list-style-type: none"> Web or optional user Interface 7" WYSIWYG color touch screen, QWERTY or AZERTY virtual keyboard, navigation via icons including on-line help file Message storage capacity of 500 jobs Upload and download jobs and settings via USB Flash Drive Standard I/O: Ethernet interface, USB, encoder, sensor, extractor controls, optional Markem-Imaje alarm tower, remote interlocks (dual channels)
Other characteristics	<ul style="list-style-type: none"> Printhead weight: 21.4 kg Printhead: anodized aluminum Dust/Humidity protection: IP44 Operating temperature range: 5 to 45 °C - Humidity: 5 to 80% non-condensing Electrical power supply: 100-240 V with automatic switching - Frequency: 50/60 Hz - Power consumption 7 A; 700 VA
Options	<ul style="list-style-type: none"> All-in-one Stand includes: Mast with X & Y adjustments, footplate with casters, printhead bracket mount, user interface support mount, mounting bracket, cable clip, package sensor and sensor mount ES100 dust and fume extractor Coding area and focal distance (mm): Lens 70 x 70 / fd 100 – Lens 100 x 100 / fd 140 – Lens 120 x 120 / fd 175 Remote user interface
Accessories	<ul style="list-style-type: none"> Guarding tunnel, photocell package sensor, encoder, alarm beacon
PC software	<ul style="list-style-type: none"> Web user interface provided as standard

* Depends on the size and complexity of the message as well as the nature of the surface marked

Code with CONFIDENCESM – Ensure excellent performance and peace of mind with our array of genuine Markem-Imaje after-sales services. Offerings include spare part kits, consumables solutions and service packages: from start-up packages, extended warranty contracts, service exchange programs and all-inclusive agreements.

We reserve the right to amend the design and/or specifications of our products without notice.



Markem-Imaje
Global Sales & Marketing Division
9, rue Gaspard Monge
B.P. 110
26501 Bourg-lès-Valence Cedex France
Tél. : +33 (0) 4 75 75 55 00
Fax : +33 (0) 4 75 82 98 10



markem·imaje

a DOVER company

Inkjet Partner

Service am Punkt

Inkjet-Partner Handelsgesellschaft mbH
Aumühlweg 17-19, Halle 12D
2544 Leobersdorf

To learn more, visit www.markem-imaje.com